

MANDÍK CPV36-H



MANDÍK®

MANDÍK CPV36-H

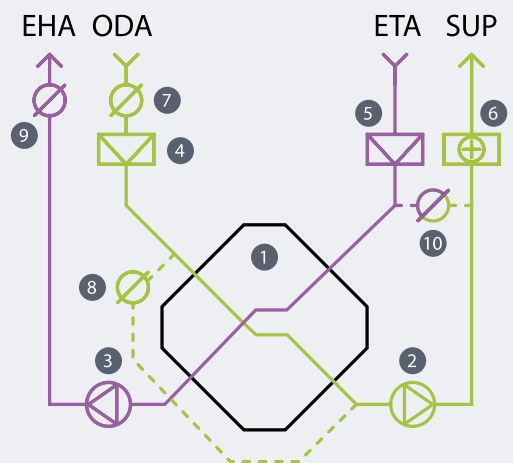
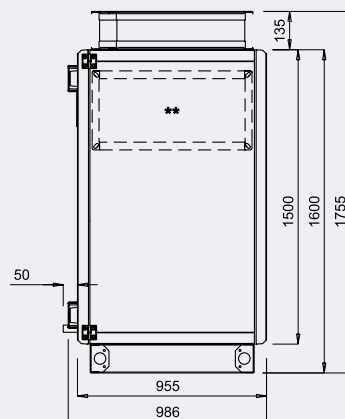
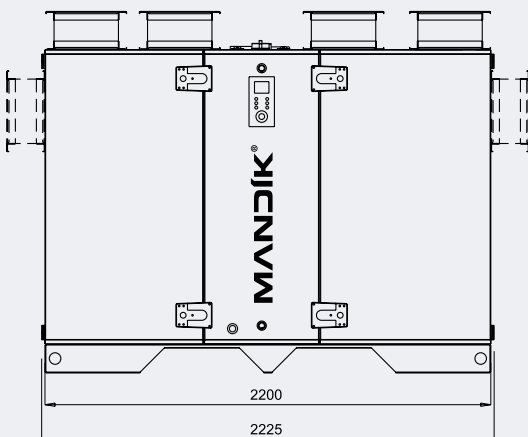
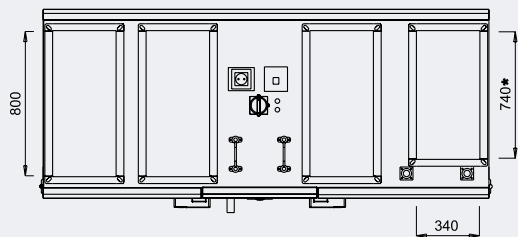


Nominal airflow:	3600 [m ³ /h]
Input power:	3~400 V / 50 Hz – water heating / condenser 3~400 V / 50 Hz – electric heating
The maximum operating current:	4,5 [A] – water heating / condenser 32.6 / 37.6 / 41.6 [A]* – electric heating
External surface finish:	RAL 9010 + RAL 5012 (standard version)
Internal surface finish:	RAL 9010 (standard version)
Weight:	280 [kg]
Sheathing insulation:	mineral wool, 65 kg/m ³

* power grades of electric heating

Levels of acoustic performance:

Frequency band	LwA [dB]	63	125	250	500	1000	2000	4000	8000	[Hz]
Suction inlet	76.7	66.6	65.5	78	73.8	68.6	69.7	65.5	64.5	[dB]
Discharge inlet	83.8	69.7	69.7	81.1	77	80.1	77	72.8	69.7	[dB]
Suction outlet	75.8	65.5	65.5	77	72.8	67.6	68.6	65.5	64.5	[dB]
Discharge outlet	83.3	69.7	68.6	80.1	77	79	77	72.8	68.6	[dB]
Noise to the ambient	61.9		43.4	59.2	52.6	55.6	50.8	43.4	33.4	[dB]



ODA – fresh air
SUP – outlet air EHA

ETA – inlet air
EHA – waste air

- 1 Plate recuperator
- 2 Inlet fan
- 3 Outlet fan
- 4 Inlet filter
- 5 Outlet filter
- 6 Heater
- 7 Inlet damper
- 8 By-pass damper
- 9 Outlet damper
- 10 Mixing damper

* for water heating / condenser; for electric heating = 800 mm

** possible SUP/EHA outlets to side, size 800 × 340 mm

Filtration

Supply (inlet):	F7, compact, 425 × 865 × 96 mm
Discharge (outlet):	M5, compact, 425 × 865 × 96 mm

Recuperation

Cross-flow heat exchanger (plate type, counter-flow)	
Temperature efficiency in the winter:	74.6 [%] *
Temperature efficiency in the summer:	79 [%] **

* in the conditions according to EN 308, ODA = 5 °C / 20 % rH, ETA = 25 °C / 20 % rH

** in the conditions according to ODA = 32 °C / 45 % rH, ETA = 25 °C / 50 % rH

Mixing

Possible installation of the damper for mixing the outlet air with the fresh air, including possibility to set up the minimum and maximum rate of mixing.

Heating

Water heating CPV36

Power	STANDARD				INCREASED				HIGH			
Q_t, t_{sup}	18.5 kW, $t_{sup} = +22\text{ °C}$				21.8 kW, $t_{sup} = +25\text{ °C}$				25.4 kW, $t_{sup} = +28\text{ °C}$			
medium – water	80/60 °C	70/50 °C	50/40 °C	45/35 °C	80/60 °C	70/50 °C	50/40 °C	45/35 °C	80/60 °C	70/50 °C	50/40 °C	45/35 °C
Number of rows	2	2	2	3	2	2	3	4	2	2	4	5
flow of medium [m ³ /h]	0.82	0.81	1.61	1.61	0.96	0.96	1.9	1.89	1.12	1.11	2.21	2.21
pressure loss of medium [kPa]	3.7	3.8	13.9	3.7	5	5.1	7.3	6	6.6	6.8	8	4
Connections	DN 20	DN 20	DN 20	DN 25	DN 20	DN 20	DN 20	DN 20	DN 20	DN 20	DN 20	DN 25

material of the tube / lamella Cu/Al

Electric heating CPV36

Power	STANDARD		INCREASED		HIGH	
Q_t, t_{sup}	18.5 kW, $t_{sup} = +22\text{ °C}$		21.8 kW, $t_{sup} = +25\text{ °C}$		25.4 kW, $t_{sup} = +28\text{ °C}$	
Heating spirals	10 × 2 kW		11 × 2 kW		13 × 2 kW	
Current [A]	28		33		37	

The heater is equipped with operating (+50 °C) and emergency (+80 °C) thermostat

Condenser CPV36

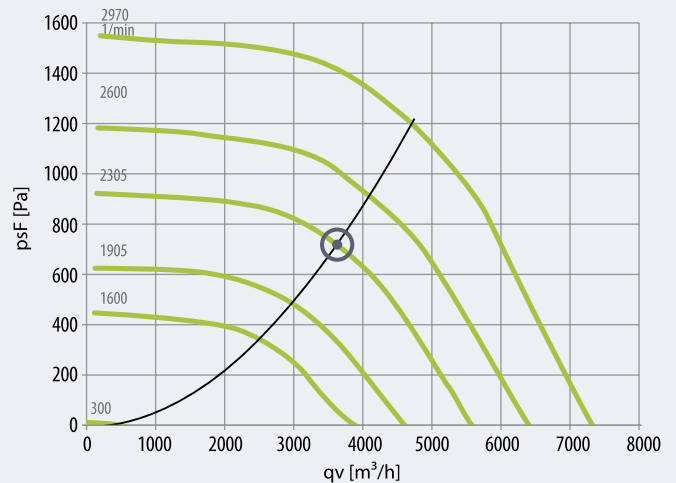
Power	STANDARD		INCREASED		HIGH	
Q_t, t_{sup}	18.5 kW, $t_{sup} = +22\text{ °C}$		21.8 kW, $t_{sup} = +25\text{ °C}$		25.4 kW, $t_{sup} = +28\text{ °C}$	
Cooling medium	R410A	R407C	R410A	R407C	R410A	R407C
Number of rows	2	2	3	3	4	4
flow of medium [m ³ /h]	2.5	3.8	3.1	4.8	3.9	6
Volume [l]	2.5	2.5	3.7	3.7	4.8	4.8
Connections in/out	1 × 22 / 1 × 16	1 × 22 / 1 × 16	1 × 22 / 1 × 16	1 × 22 / 1 × 16	1 × 22 / 1 × 16	1 × 22 / 1 × 16

With condensing temperature = 50 °C, one-way direction – heating only, one-circuit, material of the tube / lamella Cu/Al

EC fan (inlet / outlet)

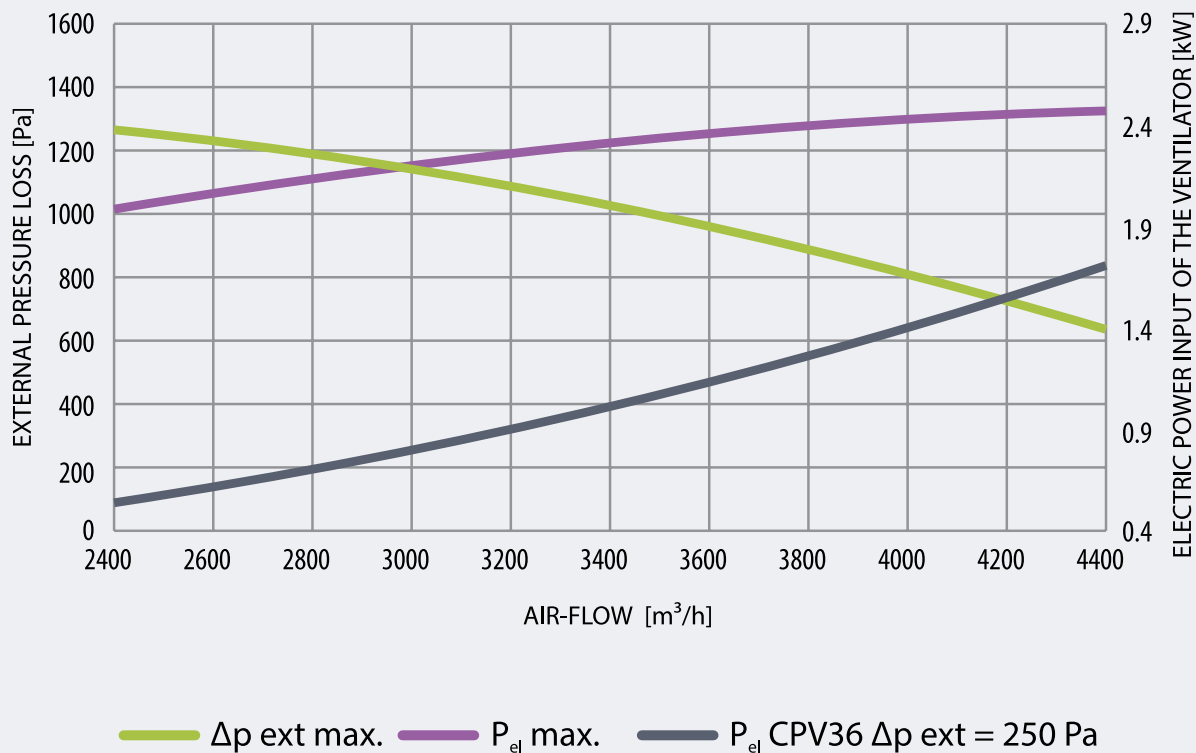
Input power:	1.155/1.095 [kW]*
Voltage:	400 [V]
Current:	1.83/1.74 [A]
RPM	2303/2261 [RPM]

* in case of external pressure loss 250 Pa, air performance 3600 m³/h, water heating – standard performance

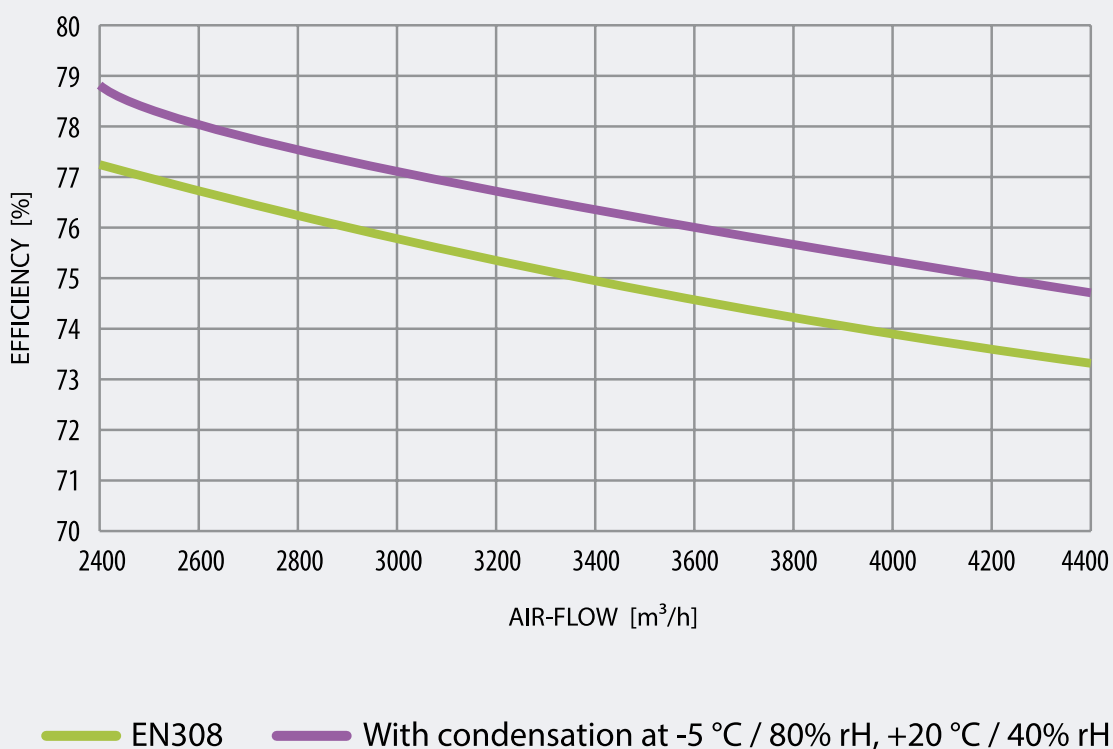


MANDÍK CPV36-H

Maximum external pressure CPV36 standard – inlet part



Efficiency of the heat exchanger ZZT



STANDARD EQUIPMENT

SURFACE TREATMENT:

- Outer surface and end element – powder coating
- Inner surface and in-building – powder coating

COMPONENTS:

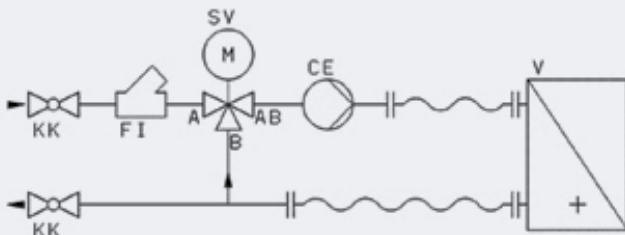
- Counter-flow heat exchanger (aluminium)
- by-pass recuperation
- EC fans (free impellers) – inlet / outlet
- filtration – F7 inlet, M5 outlet
- lamella hot-water heater / electric heater / condenser
- suction damper of fresh air
- discharge damper of waste air
- by-pass damper
- mixing damper / circulation
- buffering inserts, square shape, 2x suction, 2x discharge
- base frame of the unit

CONTROL, ELECTRO EQUIPMENT:

- switchboard, in-built
- PLC, display (possible parametrization), web interface (possible parametrization)
- servo-drives of dampers – inlet / outlet / by-pass / mixing
- switching the pressure difference of filters – inlet / outlet
- temperature sensors – fresh / behind recuperation / inlet / outlet / recuperation frost
- capillary thermostat (anti-frost) of the hot-water heater
- control of performance of electric heat (PWM, SSR)
- service switch
- socket 230 V
- socket RJ45
- probes to measure pressure difference of the ventilator – inlet / outlet

ACCESSORIES

MIXING JUNCTIONS:

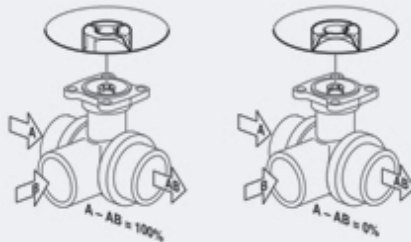


- KK – closing ball valve
- FI – filter
- SV – regulation ball valve with actuator
- CE – pump
- V – water exchanger

- Mixing junction of the hot-water heater CPV36, $Q_t = 18.5 \text{ kW}$
 - Heat-bearing medium: water 80/60 °C USJR 25-60-2.5-SR Rp 3/4" Rp 3/4", 1.28 m³/h
 - Heat-bearing medium: water 70/50 °C USJR 25-60-2.5-SR Rp 3/4" Rp 3/4", 1.28 m³/h
 - Heat-bearing medium: water 50/40 °C USJR 25-60-4.0-SR Rp 3/4" Rp 3/4", 1.68 m³/h
 - Heat-bearing medium: water 45/35 °C USJR 25-60-4.0-SR Rp 3/4" Rp 3/4", 1.68 m³/h
- Mixing junction of the hot-water heater CPV36, $Q_t = 21.8 \text{ kW}$
 - Heat-bearing medium: water 80/60 °C USJR 25-60-2.5-SR Rp 3/4" Rp 3/4", 1.28 m³/h
 - Heat-bearing medium: water 70/50 °C USJR 25-60-2.5-SR Rp 3/4" Rp 3/4", 1.28 m³/h
 - Heat-bearing medium: water 50/40 °C USJR 25-60-6.3-SR Rp 1" Rp 1", 2.22 m³/h
 - Heat-bearing medium: water 45/35 °C USJR 25-60-6.3-SR Rp 1" Rp 1", 2.22 m³/h
- Mixing junction of the hot-water heater CPV36, $Q_t = 25.4 \text{ kW}$
 - Heat-bearing medium: water 80/60 °C USJR 25-60-2.5-SR Rp 3/4" Rp 3/4", 1.28 m³/h
 - Heat-bearing medium: water 70/50 °C USJR 25-60-2.5-SR Rp 3/4" Rp 3/4", 1.28 m³/h
 - Heat-bearing medium: water 50/40 °C USJR 25-60-6.3-SR Rp 1" Rp 1", 2.22 m³/h
 - Heat-bearing medium: water 45/35 °C USJR 25-60-6.3-SR Rp 1" Rp 1", 2.22 m³/h

MANDÍK CPV36-H

3-WAY VALVES



■ 3-way valve of the water heater CPV36, $Q_t = 18.5$ kW

Heat-bearing medium: water 80/60 °C

Heat-bearing medium: water 70/50 °C

Heat-bearing medium: water 50/40 °C

Heat-bearing medium: water 45/35 °C

BELIMO, R3015-1P6-S1, kvs = 1.6 m³/h, DN = 15.5 Nm

BELIMO, R3015-1P6-S1, kvs = 1.6 m³/h, DN = 15.5 Nm

BELIMO, R3015-2P5-S1, kvs = 2.5 m³/h, DN = 15.5 Nm

BELIMO, R3015-2P5-S1, kvs = 2.5 m³/h, DN = 15.5 Nm

■ 3-way valve of the water heater CPV36, $Q_t = 21.8$ kW

Heat-bearing medium: water 80/60 °C

Heat-bearing medium: water 70/50 °C

Heat-bearing medium: water 50/40 °C

Heat-bearing medium: water 45/35 °C

BELIMO, R3015-1P6-S1, kvs = 1.6 m³/h, DN = 15.5 Nm

BELIMO, R3015-1P6-S1, kvs = 1.6 m³/h, DN = 15.5 Nm

BELIMO, R3015-2P5-S1, kvs = 2.5 m³/h, DN = 15.5 Nm

BELIMO, R3015-2P5-S1, kvs = 2.5 m³/h, DN = 15.5 Nm

■ 3-way valve of the water heater CPV36, $Q_t = 25.4$ kW

Heat-bearing medium: water 80/60 °C

Heat-bearing medium: water 70/50 °C

Heat-bearing medium: water 50/40 °C

Heat-bearing medium: water 45/35 °C

BELIMO, R3015-1P6-S1, kvs = 1.6 m³/h, DN = 15.5 Nm

BELIMO, R3015-1P6-S1, kvs = 1.6 m³/h, DN = 15.5 Nm

BELIMO, R3015-2P5-S1, kvs = 2.5 m³/h, DN = 15.5 Nm

BELIMO, R3015-2P5-S1, kvs = 2.5 m³/h, DN = 15.5 Nm

ACTUATORS FOR 3-WAY VALVES

■ BELIMO LR24A-SR, AC/DC 24 V, 0–10 V, 5 Nm

CO₂ SENSOR

■ PROTRONIX AS CO2-DG, 0–10 V, 400–2000 ppm

REMOTE CONTROL

■ DIGICONTROL ROOM4D
Temperature adjustment, control of rotational speed of the ventilator, integrated temperature sensor, 2× DO (0 V / 24 V DC) CAN-Bus, DALI, KNX, Modbus

VISUALIZATION

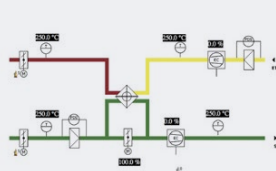
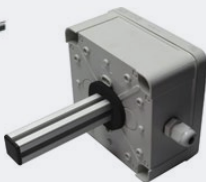
■ License for visualization Webservice
Overall graphic view of the unit with the current condition of action elements and sensors of control system (measuring and regulation)

ROUTER

■ TP-LINK TL-WR841ND
WiFi router 802.11b/g/n až 300 Mbps, 1× WAN, 4× LAN

SIPHON FOR CONDENSATE OUTLET

■ HL136NGG, DN32, vacual with ball



ORDER CODE FOR THE COMPACT UNITS OF CPV SERIES

Type of unit	Size of unit	Heating	Cooling	Filtration	Equipment of damper	Outlets
CPV	12	XXX	XXX	XXXX	XXX	XXX
1st sign C = compact 2nd sign P = plate recuperation 3rd sign V = vertical	1st-, 2nd sign = * 100 = Vn [m ³ /h] 12 = 1200 m ³ /h 24 = 2400 m ³ /h 36 = 3600 m ³ /h 48 = 4800 m ³ /h 60 = 6000 m ³ /h	1st sign = type of heating 1 = water heater 2 = condenser 3 = electric heater 2nd sign = medium 0 = no (electric heater) 1 = water 80/60 °C 2 = water 70/50 °C 3 = water 50/40 °C 4 = water 45/35 °C 5 = cooling agent R410A 6 = cooling agent R407C 3rd sign = heat power 1 = LOW (SUP = +22 °C) 2 = MEDIUM (SUP = +25 °C) 3 = HIGH (SUP = +28 °C)	XXX = none	1st sign = type of inlet filtration 3rd sign = type of outlet filtration 2 = M5 3 = F7 2nd sign = type of inlet filter 4th sign = type of outlet filter 1 = frame with thickness 96 mm	1st sign = mixing damper not installed 0 = mixing damper installed* 2nd sign = Inlet damper 0 = mixing damper not installed 1 = inlet damper installed* 3rd sign = outlet damper 0 = outlet damper not installed 1 = outlet damper installed*	1st sign = right* 2nd sign = location of SUP and EHA outlets 1 = top wall* 2 = side walls 3rd sign = type of outlets 1 = rectangular outlets*

CPV36-121-XXX-3121-111-111

Example of the unit:

Nominal air flow: 3600 m³/h
 Heating: Water heater, medium 80/60 °C, heat performance LOW (18.5 kW)
 Cooling: no
 Filtration: inlet = F7 frame with thickness 96 mm, outlet: M5 frame with thickness 96 mm
 Dampers: mixing: installed, inlet: installed, outlet: installed
 Flow direction SUP: to the right -> right version
 Outlets SUP and EHA: on the top wall
 Type of outlets: rectangular shape

Note:

* standard version Paint:

In case of requirement for a version other than standard, this should be noted in the purchase order.

Painting is divided into 2 parts (as standard)

- 1) RAL colour of the unit (outer) + inner + in-building: RAL9010 (standard version)
- 2) RAL colour of the central panel + buffering inserts + base frame RAL9006 (standard version)

Optionally, the parts of the unit may be combined in various ways; such as the overall outer surface (sheathing, buffering inserts, base frame) in one colour; inner surface (sheathing, in-building) in another colour, etc.

MANDÍK, a. s.

Dobříšská 550

267 24 HOSTOMICE

Czech Republic

Phone: +420 311 706 706

Fax: +420 311 584 810

E-mail: mandik@mandik.cz

www.mandik.cz