

MANDÍK[®]

UNIVERSAL CONNECTION BOX FOR FRONT PANELS UNIBOX



These technical conditions specify the range of manufactured sizes of connecting boxes, which can be used for front plates VVM, VVPM, ALCM, ALKM. They apply to production, design, ordering, delivery, assembly, and operation.

I. CONTENT

II. GENERAL	3
1. Description.....	3
2. Design.....	3
3. Dimensions and weights.....	4
4. Assignment of types and sizes of front plates.....	9
III. TECHNICAL DATA	9
5. Technical data for front plates.....	9
IV. MATERIAL, SURFACE	9
6. Material.....	9
V. PACKAGING, TRANSPORT, ACCEPTANCE, STORAGE, WARRANTY	9
7. Logistic data.....	9
8. Warranty.....	10
VI. ORDER DATA	10
9. Order key.....	10

II. GENERAL

1. Description

- 1.1. The connecting boxes are designed for connection of square and round front plates of VVM, VVPM, ALCM, ALKM. They are suitable for the supply of air into ventilated areas, but also for air extraction.
- 1.2. The connecting boxes are designed for a weather-protected environment with the weather classification of class 3K5, but with a range of operating temperatures -20°C to $+50^{\circ}\text{C}$, without condensation, icing, ice formation and without water from sources other than rain, in accordance with EN 60 721-3-3 mod. A2.
- 1.3. The connecting boxes are designed for air masses without any abrasive, chemical, and sticky additives.
- 1.4. All the dimensions and weights, unless stated otherwise, are in mm and kg.

2. Design

- 2.1. The connecting boxes are manufactured in the rectangular version with horizontal and vertical connection for square and round front plates. In version for the supply and extraction of air from a ventilated room. The supply connecting box is fitted with dispersion plate for better distribution of the supplied air.
- 2.2. The connecting boxes can be supplied with a regulation flap in the intake or without it. The regulation flap can be controlled by a lever outside as well as inside the box for easier operation.

Fig. 1 Control box without a regulation damper

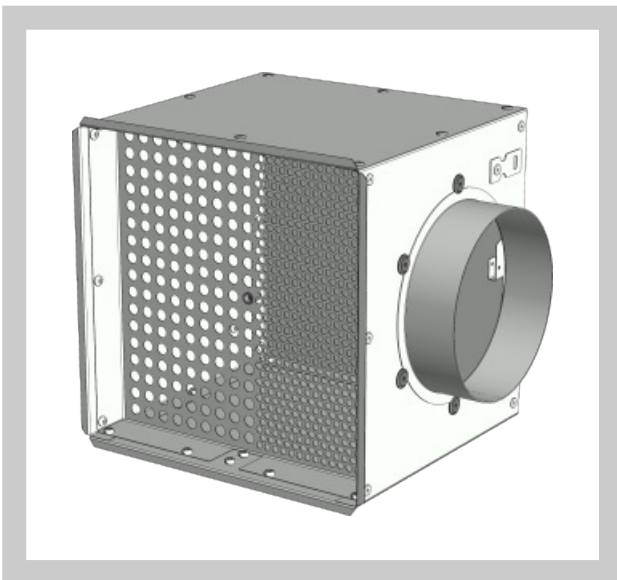
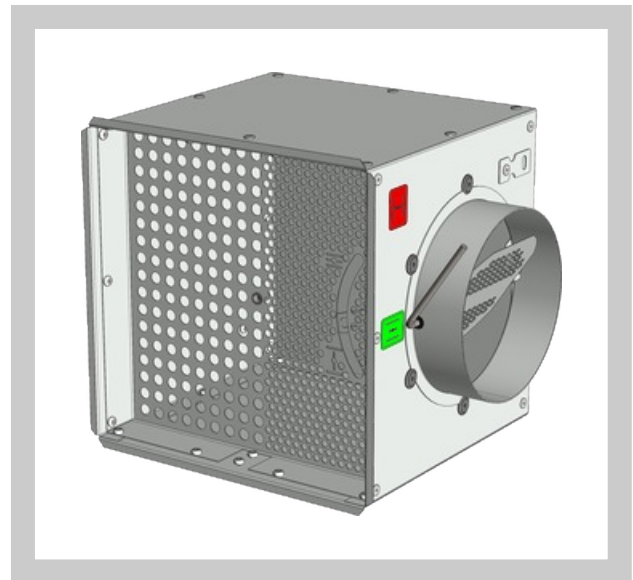


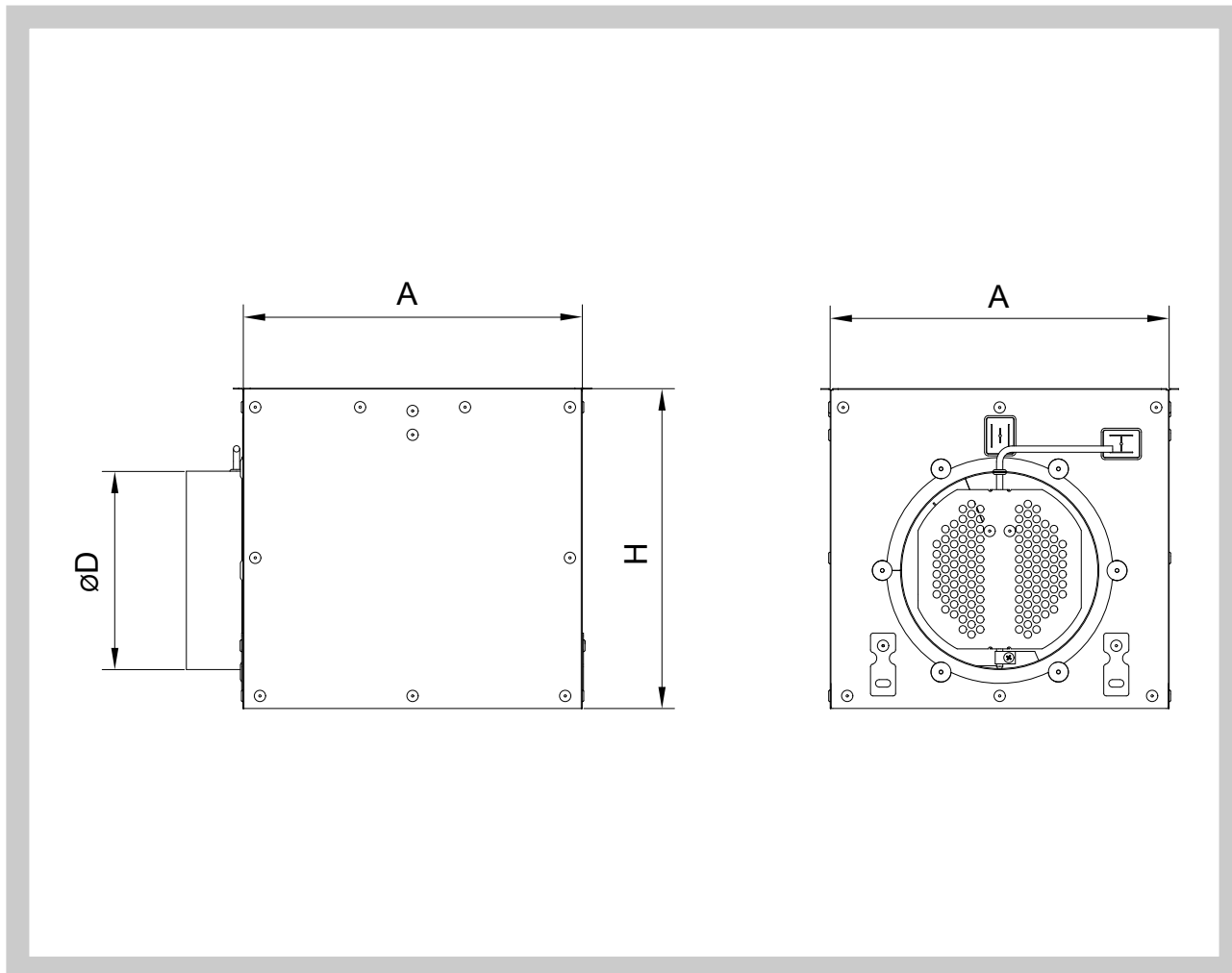
Fig. 2 Control box with a regulation damper



3. Dimensions and weights

3.1. Connecting box in design for horizontal connection and rectangular front plates.

Fig. 3 Horizontal connection, rectangular front plates

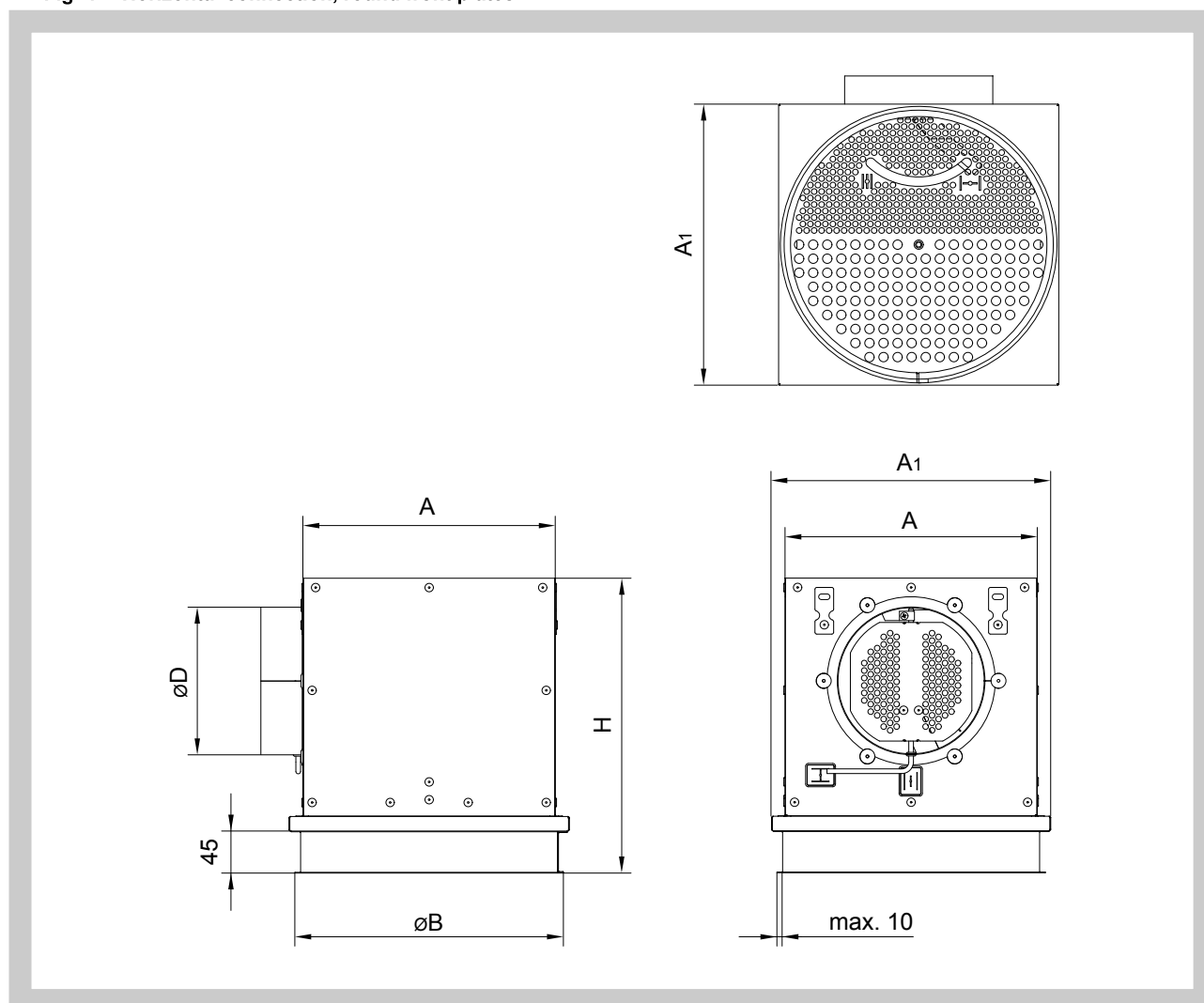


Tab. 3.1.1. Horizontal connection, rectangular front plates – dimensions, weights

Nominal dimension [mm]	A [mm]	H [mm]	$\varnothing D$ [mm]	Weight [kg]
250	220	255	158	1,8
300	270	255	158	2,3
400	370	295	198	3,5
500	470	295	198	4,8
600	572	345	248	6,7
625	600	345	248	7,1
825	812	395	313	12,1

3.2. Connecting box in design for horizontal connection and round front plates

Fig. 4 Horizontal connection, round front plates

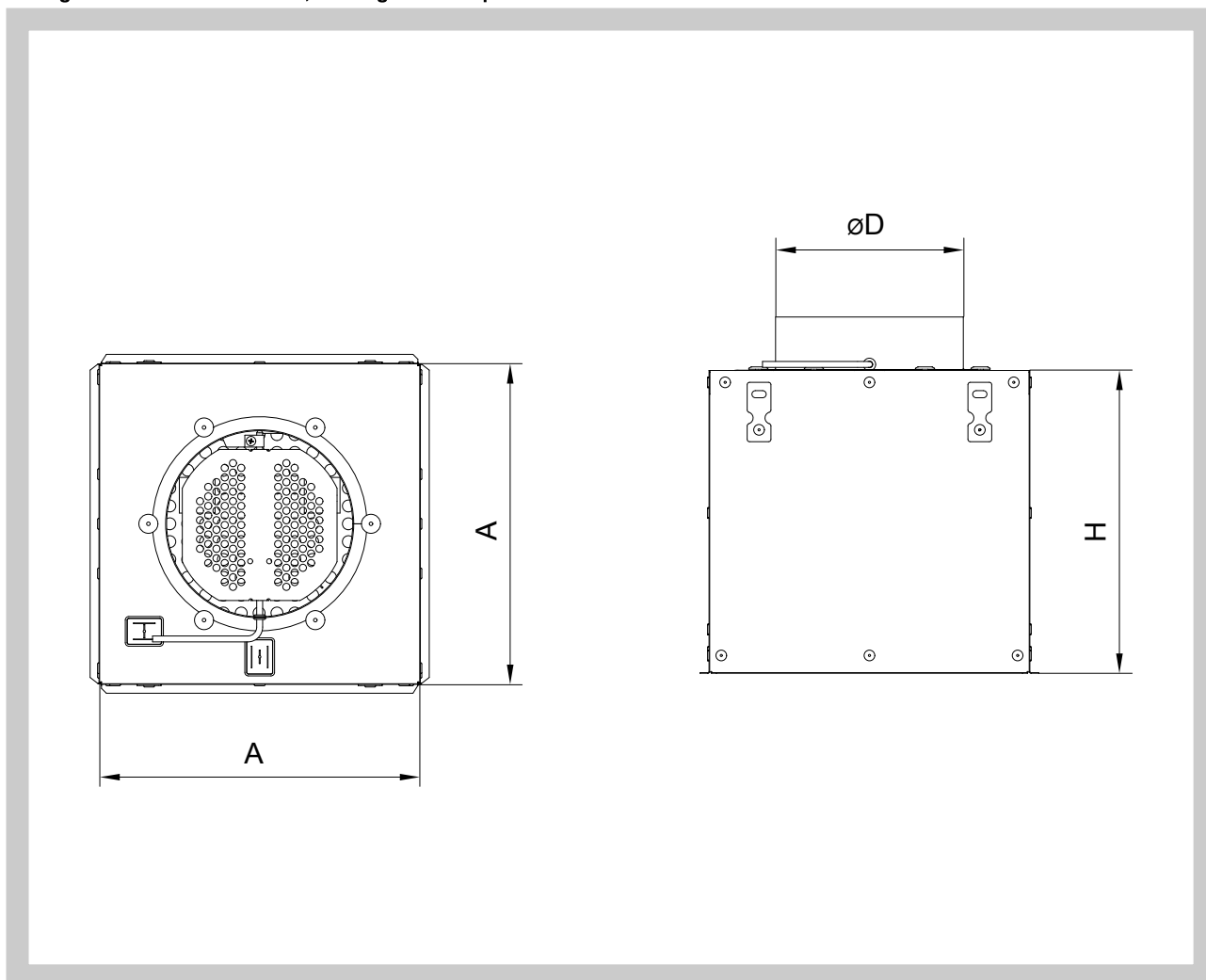


Tab. 3.2.1. Horizontal connection, round front plates – dimensions, weights

Nominal dimension [mm]	A [mm]	A ₁ [mm]	øB [mm]	H [mm]	øD [mm]	Weight [kg]
250	220	247	215	270	158	2,2
300	270	297	275	290	158	3,1
400	370	390	365	300	198	4,3
500	470	490	465	300	198	5,7
600	572	592	570	350	248	7,8
625	600	620	595	350	248	8,3
825	812	832	790	430	313	13,3

3.3. Connecting box in design for vertical connection and rectangular front plates.

Fig. 5 Vertical connection, rectangular front plates

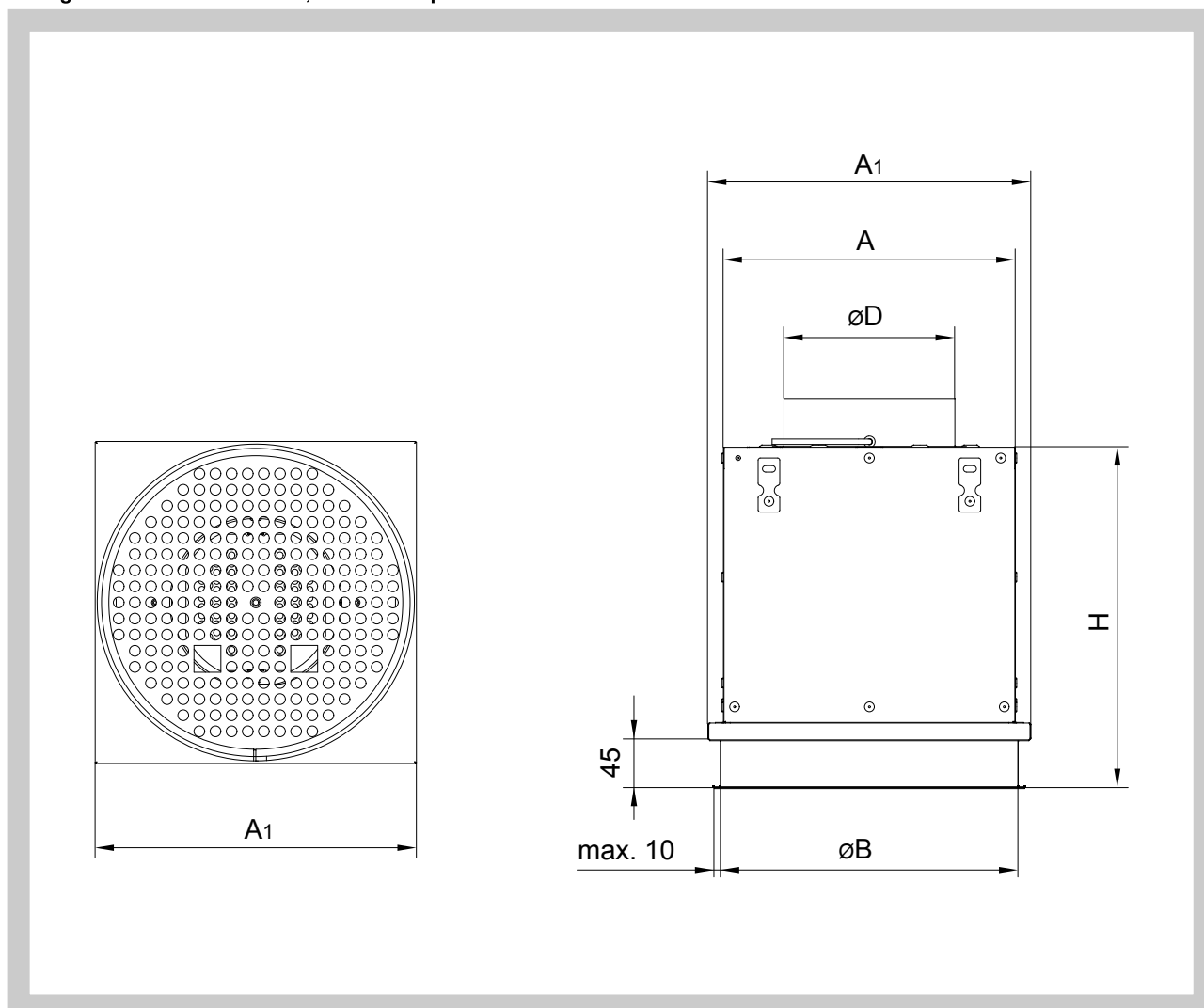


Tab. 3.3.1. Vertical connection, rectangular front plates – dimensions, weights

Nominal dimension [mm]	A [mm]	H [mm]	øD [mm]	Weight [kg]
250	220	255	158	1,9
300	270	255	158	2,3
400	370	295	198	3,6
500	470	295	198	4,8
600	572	345	248	6,8
625	600	345	248	7,2
825	812	395	313	12,3

3.4. Connecting box in design for vertical connection and round front plates.

Fig. 6 Vertical connection, round front plates



Tab. 3.4.1. Vertical connection, round front plates – dimensions, weights

Nominal dimension [mm]	A [mm]	A ₁ [mm]	øB [mm]	H [mm]	øD [mm]	Weight [kg]
250	220	247	215	270	158	2,2
300	270	297	275	290	158	3,1
400	370	390	365	300	198	4,3
500	470	490	465	300	198	5,7
600	572	592	570	350	248	7,8
625	600	620	595	350	248	8,3
825	812	832	790	430	313	13,3

3.5. Control of the box by a regulation flap

Fig. 7 Connecting box with dispersion plate

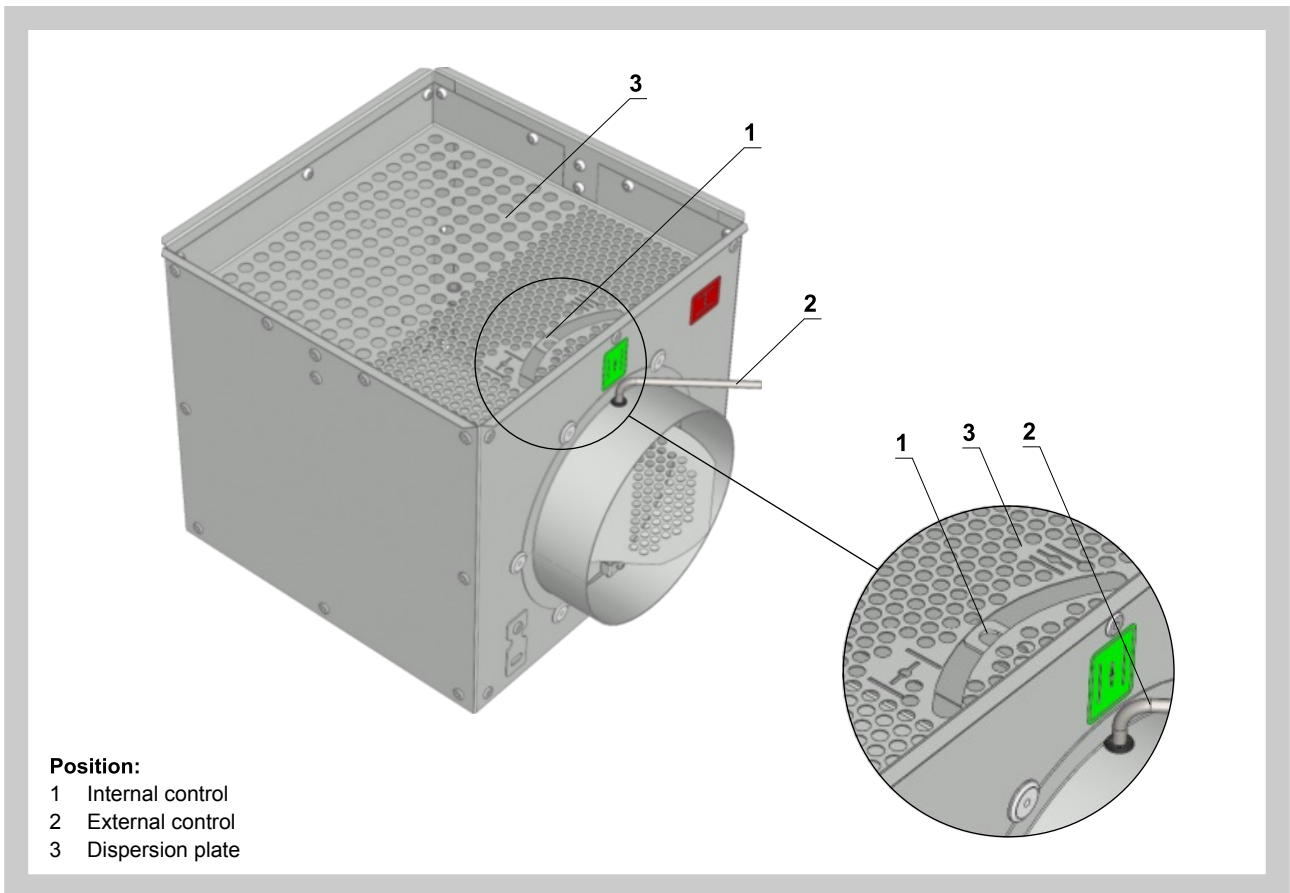
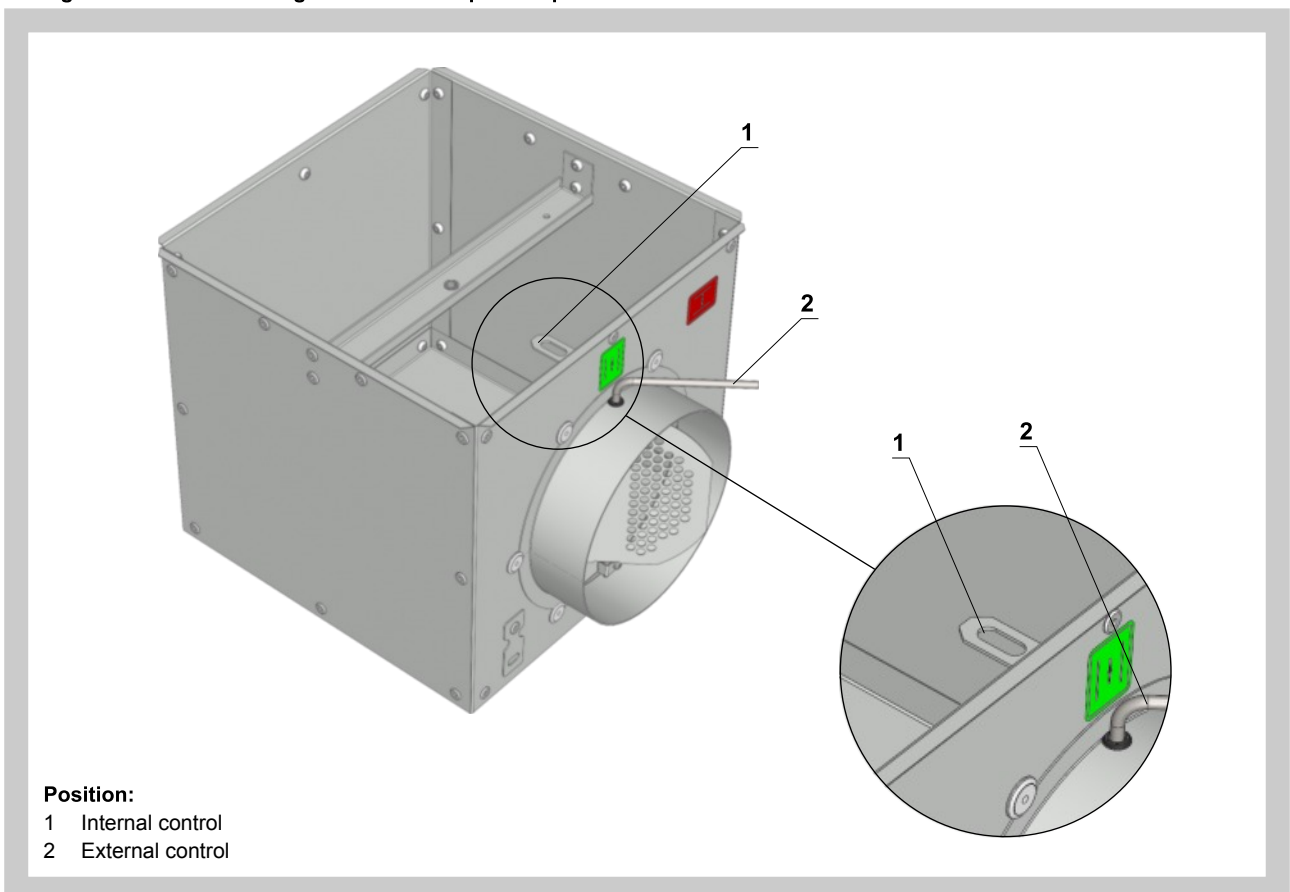


Fig. 8 Outlet connecting box without dispersion plate



4. Assignment of types and sizes of front plates

- 4.1. Assignment of types and sizes of front outlet plates and anemostats VVM, VVPM, ALCM, ALKM to the size of a connecting box.

Tab. 4.1.1. Assignment of types and sizes of front plates - for rectangular plates

Box [mm]	VVM	VVPM	ALCM
250	x	x	250 C
300	C/8 Vanes	300 C	300 C
400	C/ 16 Vanes	400 C	400 C
500	C/24 Vanes	500 C	500 C
600	C/24 Vanes	600 C	600 C
	C/48 Vanes	625 C	625 C
625	C/54 Vanes	x	x
825	C/72 Vanes	x	x

Tab. 4.1.2. Assignment of types and sizes of front plates - for round plates

Box [mm]	VVM	VVPM	ALKM
250	x	x	250 K
300	K/8 Vanes	300 K	300 K
400	K/ 16 Vanes	400 K	400 K
500	K/24 Vanes	500 K	500 K
600	K/24 Vanes	600 K	600 K
	K/48 Vanes	625 K	625 K
625	K/54 Vanes	x	x
825	K/72 Vanes	x	x

III. TECHNICAL DATA

5. Technical data for front plates (anemostats)

- 5.1. Technical data in combination with the front plate is specified in individual TPM of a specific front plate **VVM (001/96)**, **VVPM (007/99)**, **ALCM (003/97)**, **ALKM (005/99)**.

IV. MATERIAL, SURFACE

6. Material

- 6.1. Connecting boxes are made of galvanizes steel sheet.

V. PACKAGING, TRANSPORT, ACCEPTANCE, STORAGE, WARRANTY

7. Logistic data

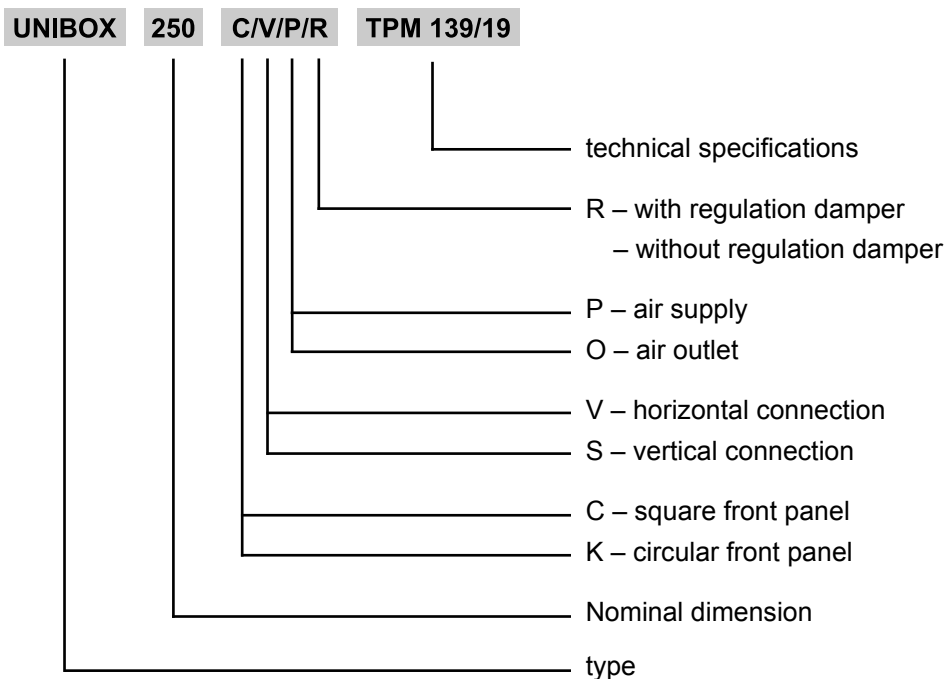
- 7.1. The connecting boxes are packed individually in cardboard boxes. They are transported freely laid in covered vehicles. Upon agreement with the customer the boxes can be transported on pallets. When handling during transport and storage, boxes must be protected against mechanical damage.
- 7.2. If no acceptance method is specified in the order, a handover of boxes to the carrier will be considered an acceptance.
- 7.3. The connecting boxes must be stored in covered facilities, in environments free of aggressive vapours, gases, and dust. In facilities, temperature must be kept in the range from -5 to +40°C and with relative humidity max. 80%.

8. Warranty

- 8.1. The manufacturer provides a 24-month warranty for its boxes from the date of their shipment.
- 8.2. The warranty expires when boxes are used for other purposes, equipment, and working conditions than permitted by this standard or after their mechanical damage occurred during handling.
- 8.3. If the boxes are damaged during their transport, it is necessary to write a protocol with the carrier during their acceptance for the subsequent complaint purposes.

V. ORDER DATA

9. Order key



MANDÍK, a.s.
Dobříšská 550
26724 Hostomice
Czech Republic
Tel.: +420 311 706 706
E-Mail: mandik@mandik.cz
www.mandik.cz

The producer reserves the right for innovations of the product. For actual product information see
www.mandik.com