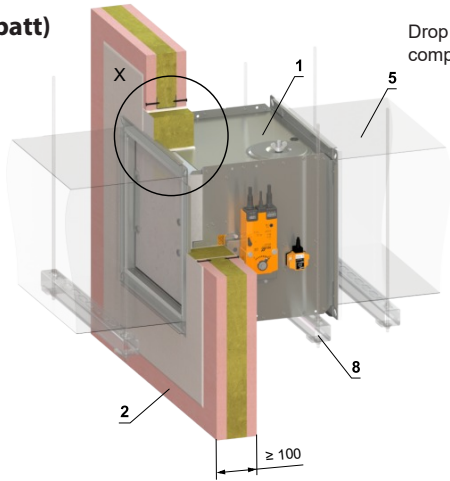
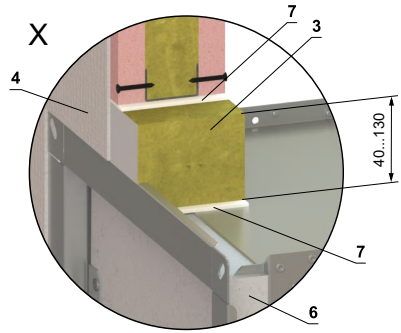
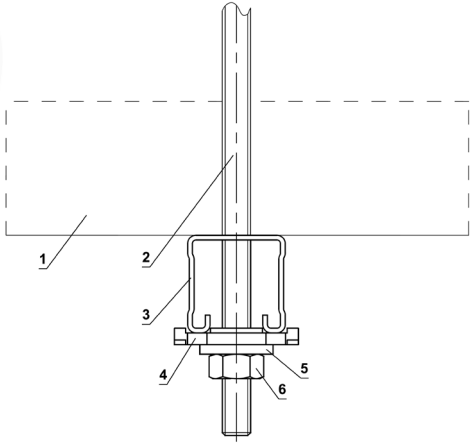


FDMB EI 60 S (Lightweight wall - Firebatt)



Drop rod and hanger location, please ensure that actuator operation is not compromised and ensure sufficient space to allow access hatch removal.



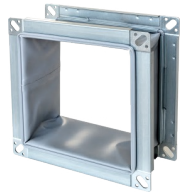
- 1 FDMB
- 2 Gypsum wall construction
- 3 Ablative Coated Batt (e.g. Firestop Board HILTI CFS-CT B 1S 140/50 - min. density 140 kg/m³ + Firestop acrylic sealant HILTI CFS-S ACR or equivalent)
- 4 Fire stop coating thickness 1 mm (e.g. HILTI CFS-CT, PROMASTOP-CC or equivalent)
- 5 Duct
- 6 Protective cladding boards - (not part of the damper) but must be used as part of the penetration filling. It can be ordered from MANDIK as an accessory (e.g. PROMATECT-MST - min. density 750 kg/m³ for AxB ≤ 500x400, th. 10 mm, for AxB > 500x400, th. 15 mm or equivalent)
- 7 Fire resistant mastic - fill the gap on both sides of the fire separation construction and around the perimeter of penetration and damper body. (e.g. HILTI CFS-S ACR)
- 8 Fixing profile with threaded rod

FDMB can be installed with blade axis positioned either vertically or horizontally and with the actuator positioned at 0°, 90° or 270°, but not at 180°

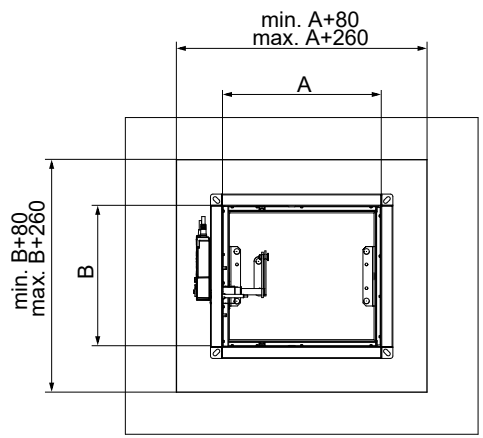
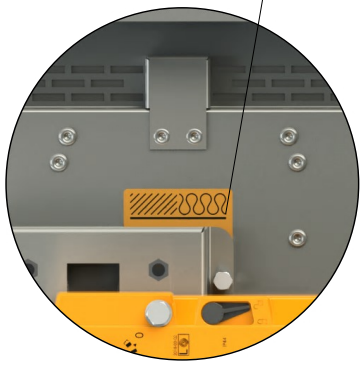
Wall build construction must be symmetrical and in accordance with BS EN 1363-1 and tested in accordance with BS EN 1364-1.

Blade overlaps must be accounted for to ensure blade operation is not compromised. For full blade overlap dimensions please see product TPM.

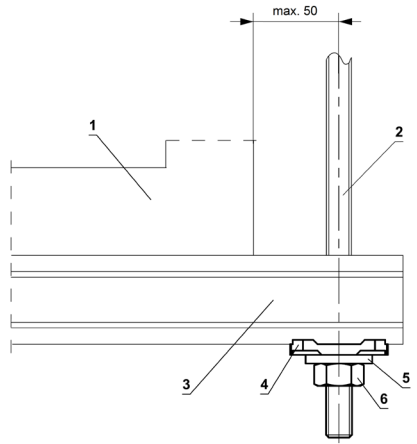
Damper must be installed to built in edge shown by orange label on the damper.



FFDM Breakaway Joint should be used either side of the damper. See Product TPM for full duct connection details.

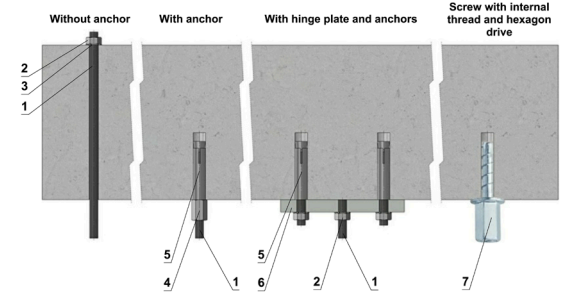


Drop rod and hanger position is not critical and can be positioned to suit the particular installation, applying symmetry where possible.

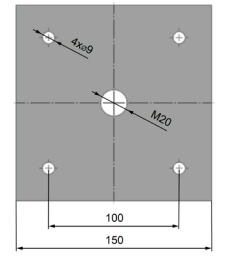
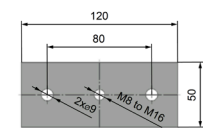


- Position:
- 1 FDMB
 - 2 Threaded rod M8 - M20
 - 3 Support HILTI (MQ-41 = <100kg) or (MQ-41/3 = >100kg)
 - 4 Bored plate HILTI MQZ-L
 - 5 Washer for M8 - M20
 - 6 Nut M8 - M20

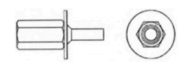
Advice provided by a fixing specialist contractor takes precedence.



Hinge plates



Screw with internal thread and hexagon drive



Load capacities of threaded hanger rods F [N] at the required fire resistance 90 minutes

Size	A _s [mm ²]	Weight G [kg]	
		for 1 piece	for 1 pair
M8	36.6	22	44
M10	58	35	70
M12	84.3	52	104
M14	115	70	140
M16	157	96	192
M18	192	117	234
M20	245	150	300

Position:

- 1 Threaded rod M8 - M20
- 2 Nut
- 3 Washer
- 4 Coupling nut
- 5 Anchor
- 6 Hinge plate - min. thickness 10mm
- 7 Concrete screw tested for fire resistance R30-R90, max. tension up to 0.75KN (length 35mm)

Drop rod diameter is based on damper weight, see full Damper TPM for further technical details or contact help@Mandik.co.uk. Mandik reserves the right to update this information without prior notice.

		Mandik UK Ltd www.mandik.co.uk Office: 0117 4526376	130 Aztec West Park Avenue Bristol BS32 4UB
		UKCA certified acc. to EN 15650	
Title: FDMB Lightweight Wall - Firebatt		Tested in accordance with EN 1366-2	
Classification: EI 60 (ve i<->o) S		Size: (min-max) 100x100 - 1000x500 up to 0.5m2	Date: 04/07/2023
Drawing No: 0000-0000-122 Rev 3		Illustrated: AA	Approved: MF
Intellectual property of MANDIK Ltd. Unauthorised use shall be punishable by law			