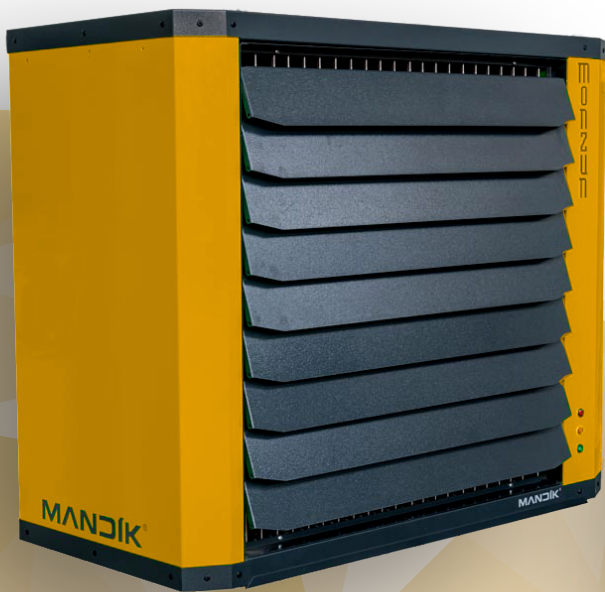




Air unit for heating and cooling with a heat pump

# MONZUN – HP

DELIVERY TIME: 3 WEEKS



- EFFICIENT, ECONOMICAL OPERATION
- NOT DEMANDING ON ENERGY, SILENT OPERATION
- ENVIRONMENTALLY FRIENDLY
- HEATING OUTPUT 20 AND 33 KW, REFRIGERANT R410A
- VULCAN MMS ANALOG REGULATION FOR UP TO 6 AGGREGATES WITH A WEEKLY PROGRAM
- POSSIBILITY OF CONTROL BY MULTI-ZONE CONTROLLER ZEUS
- TYPICAL FOR EFFICIENT WAY OF HEATING / COOLING FOR:

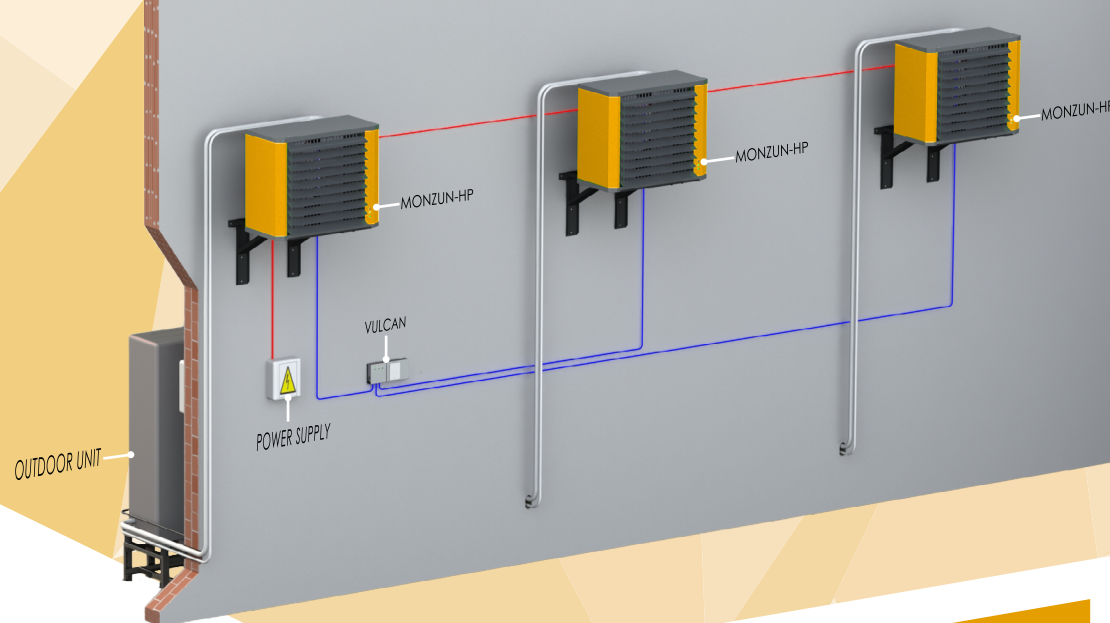


PRODUCTION FACILITIES  
WAREHOUSES  
STORES

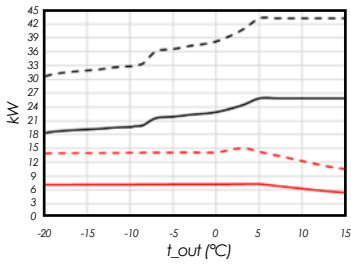
Commissioning and regular annual inspections by a service technician authorized by MANDIK a.s. are a condition of the warranty.

[mandik.com](http://mandik.com)

# MANDIK®

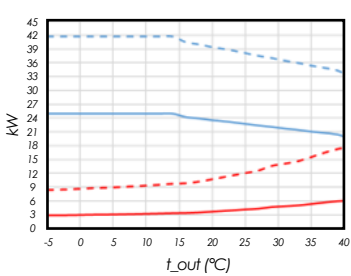


Thermal performance at 100% capacity,  $t_i=16^\circ\text{C}$

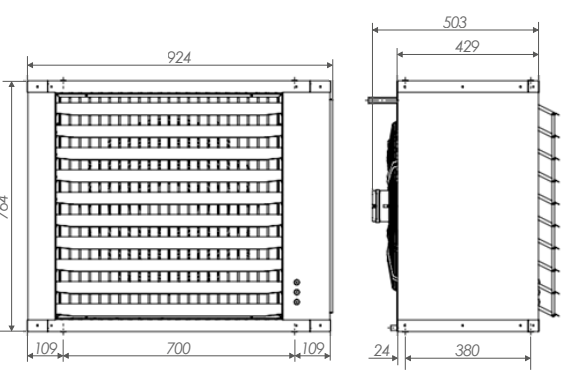
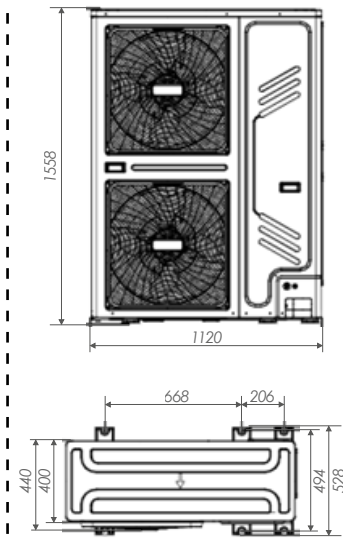


—  $Q_{out\_20}$   
 —  $P_{in\_20}$   
 - - -  $Q_{out\_33}$   
 - - -  $P_{in\_33}$

Cooling performance at 100% capacity,  $t_i=31^\circ\text{C}$



- - -  $Q_{out\_33}$   
 - - -  $P_{in\_33}$   
 —  $Q_{out\_20}$   
 —  $P_{in\_20}$



<sup>1</sup> - Indoor temperature 20°C DB; outdoor temperature 7°C DB, 6°C WB; equivalent refrigerant piping length 7.5m with zero level difference.  
<sup>2</sup> - Indoor temperature 27°C DB, 19°C WB; outdoor temperature 35°C DB; equivalent refrigerant piping length 7.5m with zero level difference.  
<sup>3</sup> - Sound pressure level measured at a position 1m from the unit, in a free field.

## TECHNICAL INFORMATION:

Nominal capacity – heating <sup>1</sup>	20	33	kW
Nominal capacity – cooling <sup>2</sup>	20	33	kW
COP1	3,8	3,2	-
EER2	4,5	2,9	-
SCOP	3,03	2,6	-

Power supply	380-415/3/50	V/Ph/Hz
Maximum current	25   32	A
Ambient temp. Operation range - Heating	-20 to +24	°C
Ambient temp. Operation range - Cooling	-5 to +48	°C

Refrigerant	R410a	
Amount of refrigerant	6,5	8
Liquid pipe	12,7	12,7
Gas pipe	19,1	25,4

Outdoor unit		
LxHxD	1120x1558x528	mm
Requirements for a flat load-bearing base (WxD)	1200x830	mm
Net weight	143	157
Sound pressure level <sup>3</sup>	58	61
Sound power level <sup>3</sup>	78	81

Indoor unit		
LxHxD	924x764x503	mm
Net weight	85	70
Air flow	4100	6500
Airflow range (0,5 m/s)	12	16
Air temperature rise	16	16
Sound power level <sup>3</sup>	61	69
Pipe length max.	30	m
Pipe length opt.	7,5	m

tel.: +44 117 4526376

e-mail: help@mandik.co.uk

Mandik UK Ltd, 130 Aztec West, Bristol BS32 4UB, United Kingdom

