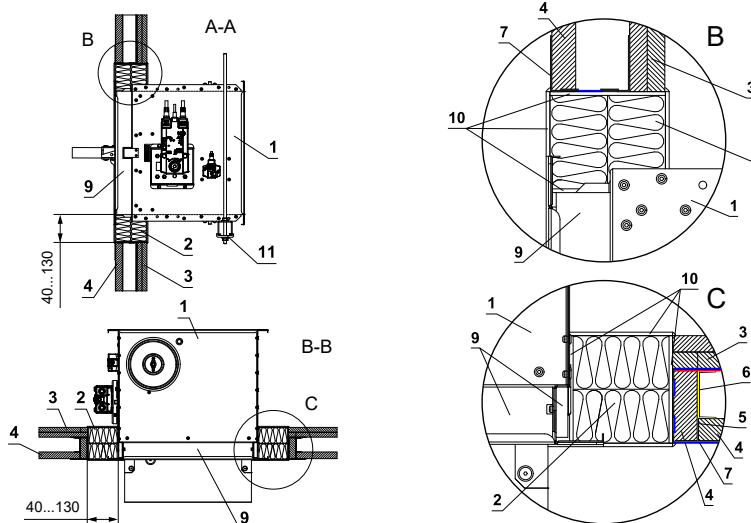
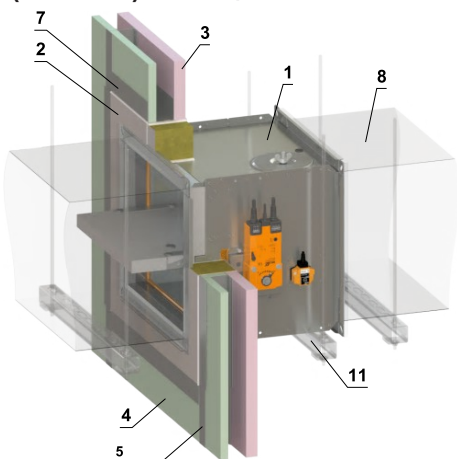


# FDMB (Shaftwall) - EI 60 S/EI 90 S - UKCA

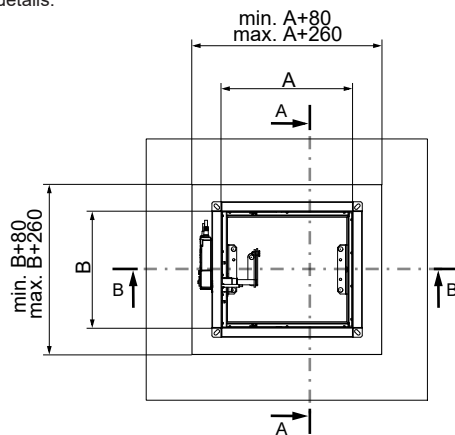
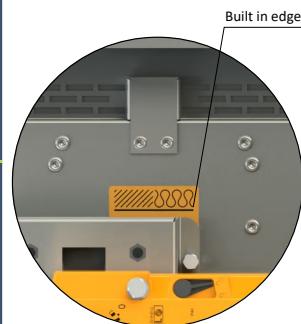


- 1 FDMB
- 2 Ablative Coated Batt (e.g. Firestop Board HILTI CFS-CT B 1S 140/50 - min. density 140 kg/m<sup>3</sup> + Firestop acrylic sealant HILTI CFS-S ACR or equivalent)
- 3 Gyproc FireLine
- 4 Gyproc CoreBoard
- 5 Gypframe 'I' Stud
- 6 Gypframe Retaining Channel
- 7 Gypframe Deep Flange Floor & Ceiling Channels
- 8 Duct
- 9 Protective cladding boards - (not part of the damper) but must be used as part of the penetration filling. It can be ordered for MANDIK as an accessory (e.g. PROMATECT-MST - min. density 750 kg/m<sup>3</sup> for AxB ≤ 500x400, th. 10 mm, for AxB > 500x400, th. 15 mm or equivalent)
- 10 Fire resistant mastic - fill the gap on both sides of the fire separation construction and around the perimeter of penetration and damper body. (e.g. HILTI CFS-S ACR)
- 11 Fixing profile with threaded rod

Damper must be installed to the built in edge shown by orange label on the damper.

Blade overlaps must be accounted for to ensure blade operation is not compromised. For full blade overlap dimensions please see product TPM

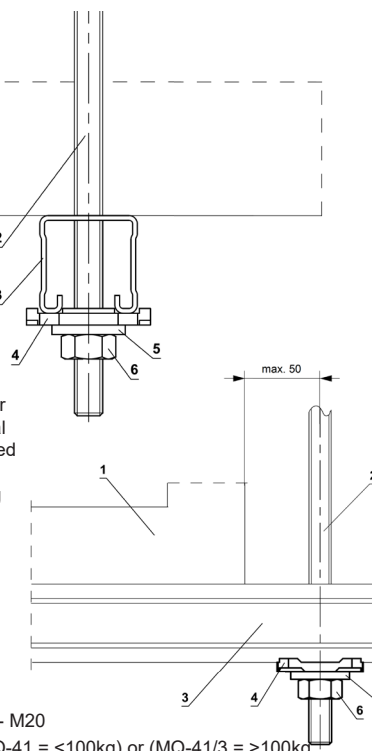
FFDM breakaway joint should be used either side of the damper. See product TPM for full duct connection details.



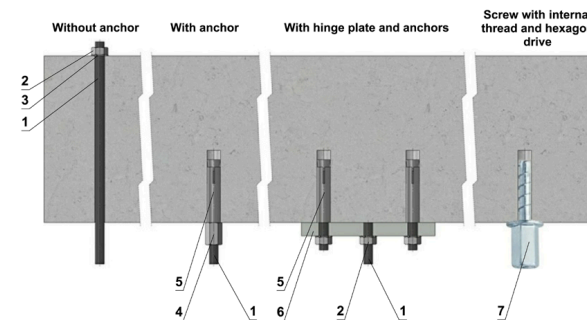
Drop rod and hanger position is not critical and can be positioned to suit the particular installation, applying symmetry where possible.

Position:

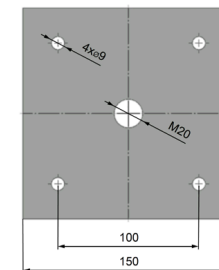
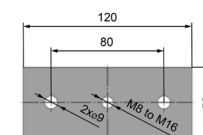
- 1 FDMB
- 2 Threaded rod M8 - M20
- 3 Support HILTI (MQ-41 = <100kg) or (MQ-41/3 = >100kg)
- 4 Bored plate HILTI MQZ-L
- 5 Washer for M8 - M20
- 6 Nut M8 - M20



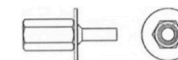
Advice provided by a fixing specialist contractor takes precedence.



Hinge plates



Screw with internal thread and hexagon drive



Load capacities of threaded hanger rods F [N] at the required fire resistance 90 minutes

Size	A <sub>s</sub> [mm]	Weight G [kg]	
		for 1 piece	for 1 pair
M8	36,6	22	44
M10	58	35	70
M12	84,3	52	104
M14	115	70	140
M16	157	96	192
M18	192	117	234
M20	245	150	300

Position:

- 1 Threaded rod M8 - M20
- 2 Nut
- 3 Washer
- 4 Coupling nut
- 5 Anchor
- 6 Hinge plate - min. thickness 10mm
- 7 Concrete screw tested for fire resistance R30-R90, max. tension up to 0.75KN (length 35mm)

Drop rod diameter is based on damper weight, see full Damper TPM for further technical details or contact help@Mandik.co.uk. Mandik reserves the right to update this information without prior notice.

		Mandik UK Ltd www.mandik.co.uk Office: 0117 4526376	130 Aztec West Park Avenue Bristol BS32 4UB
		Title: <b>FDMB- Shaftwall - Firebatt - UKCA</b> UKCA certified acc. to EN 15650 Tested in accordance with EN 1366-2	
Classification: <b>EI 60 (ve i&lt;-&gt;o) S with EI 60 wall</b> <b>EI 90 (ve i&lt;-&gt;o) S with EI 90 wall</b>		Size: (min-max) <b>100x100 - 1000x500</b> Date: <b>20/06/2023</b>	
Drawing No: <b>0000-0000-140 Rev 2</b>		Illustrated: <b>AA</b>	Approved: <b>MF</b>
Intellectual property of MANDIK Ltd. Unauthorised use shall be punishable by law			