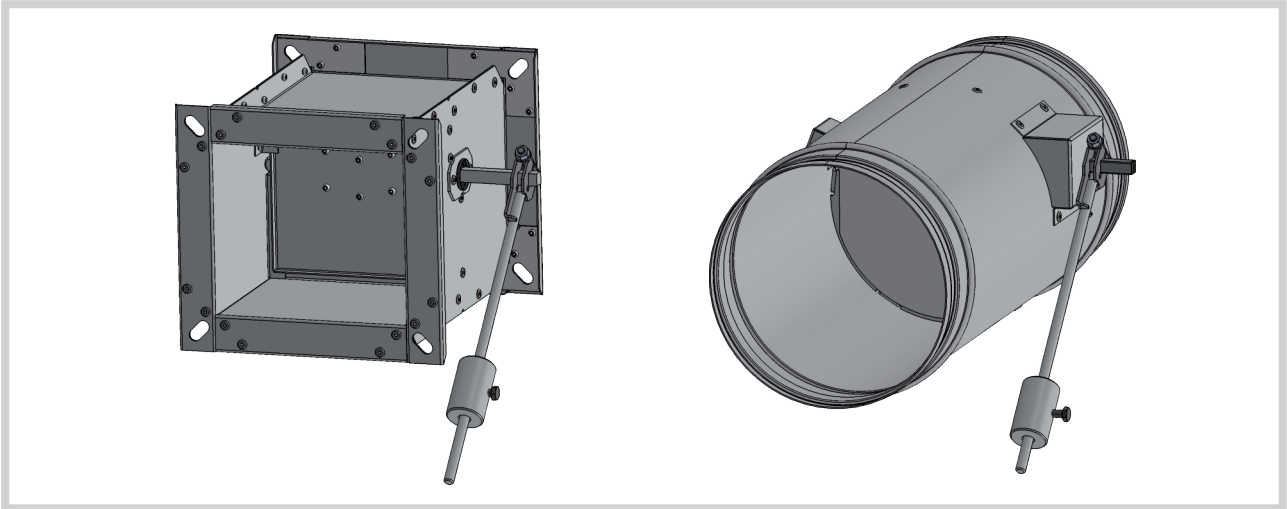


NKM

NON-RETURN DAMPER



Description

Non- return air damper NKM is dedicated to be used for mechanically automatic closing of air-flow in the air duct systems, based on the closing by its blade. The blade is prohibiting to the returning air to flow in opposite of the initial direction.

Parameters

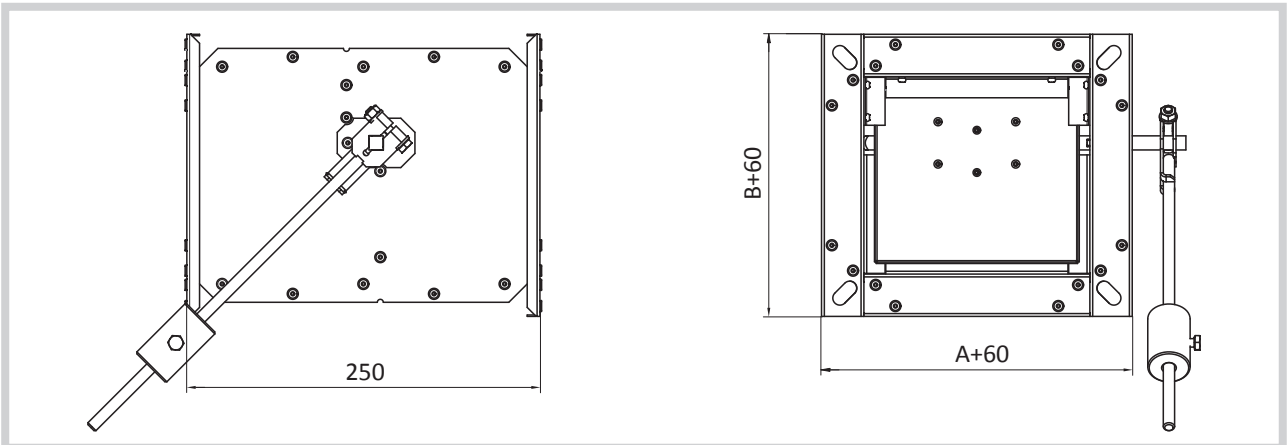
Damper NKM is dedicated for internal air pressure up to 1500Pa and air velocity in the range of 6 to 20 m/s.

Installation

NKM damper can be installed on the horizontally and vertically positioned ductwork. In the case of installation of NKM damper in vertical position, the air direction must be from the bottom to the top.

Sizes

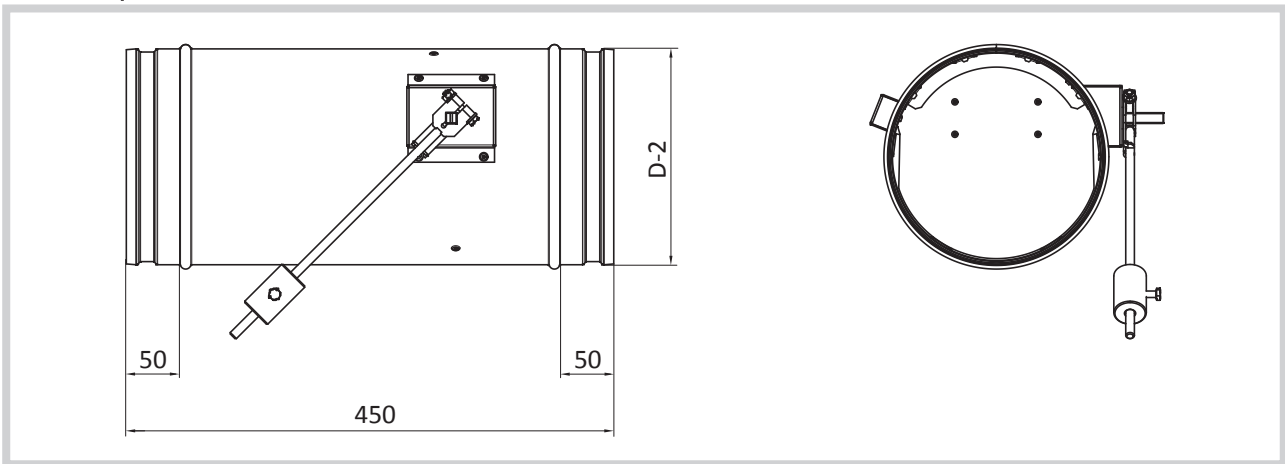
Rectangular damper



Rectangular damper - sizes

A x B	A x B	A x B	A x B	A x B
150 x 150	300 x 250	400 x 250	500 x 250	600 x 250
200 x 200	300 x 300	400 x 300	500 x 300	600 x 300
250 x 200	300 x 350	400 x 350	500 x 350	600 x 350
300 x 200	400 x 200	500 x 200	600 x 200	

Round damper



Round damper - sizes

D	Design with rubber sealing	Design with flanges*
125	YES	YES
160	YES	YES
200	YES	YES
250	YES	YES
315	YES	YES

* In design with flanges, length 350 mm

MANDÍK, a.s.
 Dobříšská 550
 26724 Hostomice
 Czech Republic
 Tel.: +420 311 706 706
 Fax: +420 311 584 810, 311 584 382
 E-Mail: mandik@mandik.cz
 www.mandik.com