



Design Guide

VLT[®] Micro Drive FC 51

Contents

| | |
|---|-----------|
| 1 How to Read this Design Guide | 5 |
| 1.1.1 Legal Information | 5 |
| 1.1.2 Available Literature | 6 |
| 1.1.3 Symbols | 6 |
| 1.1.4 Abbreviations | 6 |
| 1.1.5 Definitions | 7 |
| 2 Safety and Conformity | 10 |
| 2.1 Safety | 10 |
| 2.1.2 Safety | 10 |
| 2.2 CE Labeling | 11 |
| 2.3 Aggressive Environments | 12 |
| 2.4 Vibration and Shock | 13 |
| 3 Introduction to VLT® Micro Drive | 18 |
| 3.1 Control Structures | 18 |
| 3.2 General Aspects of EMC | 21 |
| 3.3 Galvanic Isolation (PELV) | 23 |
| 3.4 Earth Leakage Current | 24 |
| 3.5 Extreme Running Conditions | 24 |
| 4 VLT® Micro Drive Selection | 26 |
| 4.1 Options and Accessories | 26 |
| 4.1.1 Local Control Panel (LCP) | 26 |
| 4.1.2 FC 51 Mounting Instruction | 27 |
| 4.1.3 FC 51 Remote Mounting Kit Mounting Instruction | 28 |
| 4.1.4 IP21/TYP 1 Enclosure Kit | 30 |
| 4.1.5 Type 1 (NEMA) | 30 |
| 4.1.6 De-Coupling | 30 |
| 4.1.7 FC 51 Type 1 Kit Mounting Instruction for M1, M2 and M3 | 31 |
| 4.1.8 FC 51 Type 1 Kit Mounting Instruction for M4 and M5 | 32 |
| 4.1.9 FC 51 IP21 Kit Mounting Instruction | 33 |
| 4.1.10 FC 51 De-coupling Plate Mounting Instruction for M1 and M2 | 35 |
| 4.1.11 FC 51 De-coupling Plate Mounting Instruction for M3 | 36 |
| 4.1.12 FC 51 De-coupling Plate Mounting Instruction for M4 and M5 | 37 |
| 4.1.13 FC 51 DIN Rail Kit Mounting Instruction | 38 |
| 4.1.14 Line Filter MCC 107 Installation Instructions | 38 |
| 4.1.15 Mounting | 39 |
| 4.1.16 Wiring | 39 |
| 4.1.17 Dimensions | 40 |

| | |
|---|-----------|
| 4.2 Special Conditions | 41 |
| 4.2.1 Purpose of Derating | 41 |
| 4.2.2 Derating for Ambient Temperature | 41 |
| 4.2.3 Derating for Low Air Pressure | 42 |
| 4.2.5 Derating for Running at Low Speed | 42 |
| 5 How to Order | 43 |
| 5.1 Drive Configurator | 43 |
| 5.2.1 FC Identification | 43 |
| 5.3.1 Type Code | 44 |
| 5.4.1 Ordering Numbers | 45 |
| 5.5.1 Options for VLT Micro Drive | 45 |
| 6 How to Install | 47 |
| 6.1 Before Starting | 47 |
| 6.2 Side-by-Side Installation | 47 |
| 6.3 Before Commencing Repair Work | 47 |
| 6.4 Mechanical Dimensions | 48 |
| 6.5 Electrical Installation in General | 49 |
| 6.6 Fuses | 50 |
| 6.7 Mains Connection | 51 |
| 6.8 Motor Connection | 51 |
| 6.9.1 Use of EMC-Correct Cables | 54 |
| 6.12 Electrical Overview | 56 |
| 6.12.1 Power Circuit - Overview | 56 |
| 6.13 Electrical Installation and Control Cables | 57 |
| 6.14 Control Terminals | 57 |
| 6.14.2 Connecting to Control Terminals | 58 |
| 6.15 Switches | 58 |
| 6.16 Final Set-Up and Test | 58 |
| 6.17 Parallel Connection of Motors | 60 |
| 6.18 Motor Installation | 61 |
| 6.19 Installation of Misc. Connections | 61 |
| 6.20 Safety | 62 |
| 6.20.1 High Voltage Test | 62 |
| 6.20.2 Safety Earth Connection | 62 |
| 7 Programming | 63 |
| 7.1 How to Programme | 63 |
| 7.1.1 Programming with MCT 10 Set-up Software | 63 |
| 7.1.2 Programming with the LCP 11 or LCP 12 | 63 |

| | |
|--|-----------|
| 7.2 Status Menu | 64 |
| 7.3 Quick Menu | 64 |
| 7.4 Quick Menu Parameters | 65 |
| 7.5 Main Menu | 68 |
| 7.6 Quick Transfer of Parameter Settings between Multiple Frequency Converters | 68 |
| 7.7 Read-out and Programming of Indexed Parameters | 68 |
| 7.8 Initialise the Frequency Converter to Default Settings in two Ways | 69 |
| 7.8.1 Initialise the Frequency Converter to Default Settings in two Ways | 69 |
| 8 RS-485 Installation and Set-up | 70 |
| 8.1.1 Overview | 70 |
| 8.1.4 EMC Precautions | 71 |
| 8.2 FC Protocol Overview | 71 |
| 8.3 Network Configuration | 72 |
| 8.4 FC Protocol Message Framing Structure | 72 |
| 8.4.1 Content of a Character (byte) | 72 |
| 8.4.2 Telegram Structure | 72 |
| 8.4.3 Telegram Length (LGE) | 72 |
| 8.4.6 The Data Field | 73 |
| 8.4.13 Process Words (PCD) | 75 |
| 8.5 Examples | 75 |
| 8.6 Modbus RTU Overview | 76 |
| 8.6.1 Assumptions | 76 |
| 8.6.2 What the User Should Already Know | 76 |
| 8.6.3 Modbus RTU Overview | 76 |
| 8.6.4 Frequency Converter with Modbus RTU | 77 |
| 8.8 Modbus RTU Message Framing Structure | 77 |
| 8.8.1 Frequency Converter with Modbus RTU | 77 |
| 8.8.2 Modbus RTU Message Structure | 77 |
| 8.8.3 Start/Stop Field | 78 |
| 8.8.4 Address Field | 78 |
| 8.8.5 Function Field | 78 |
| 8.8.6 Data Field | 78 |
| 8.8.7 CRC Check Field | 78 |
| 8.8.9 How to Control the Frequency Converter | 80 |
| 8.8.10 Function Codes Supported by Modbus RTU | 80 |
| 8.8.11 Modbus Exception Codes | 80 |
| 8.9 How to Access Parameters | 81 |
| 8.9.1 Parameter Handling | 81 |
| 8.9.2 Storage of Data | 81 |
| 8.9.3 IND | 81 |

| | |
|--|-----------|
| 8.9.4 Text Blocks | 81 |
| 8.9.5 Conversion Factor | 81 |
| 8.9.6 Parameter Values | 81 |
| 8.10 Examples | 81 |
| 8.10.2 Force/Write Single Coil (05 HEX) | 82 |
| 8.10.3 Force/Write Multiple Coils (0F HEX) | 82 |
| 8.10.5 Preset Single Register (06 HEX) | 83 |
| 8.11 FC Drive Control Profile | 84 |
| 8.11.1 Control Word According to FC Profile (8-10 Protocol = FC profile) | 84 |
| 9 Specifications | 89 |
| Index | 94 |

1 How to Read this Design Guide

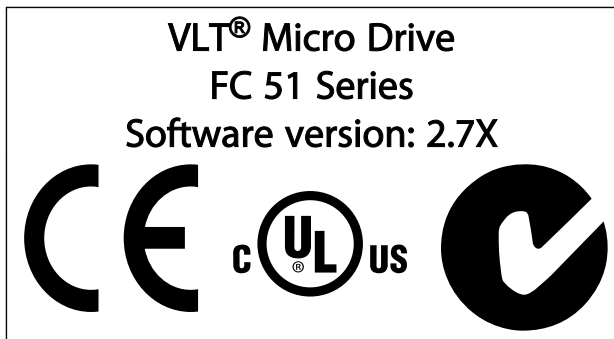


Table 1.1

This guide can be used with all VLT® Micro Drive frequency converters with software version 2.7X. The actual software version number can be read from *15-43 Software Version*.

Table 1.2

1.1.1 Legal Information

This publication contains information proprietary to Danfoss. By accepting and using this manual the user agrees that the information contained herein is used solely for operating equipment from Danfoss or equipment from other vendors if such equipment is intended for communication with Danfoss equipment over a serial communication link. This publication is protected under the Copyright laws of Denmark and most other countries.

Danfoss does not warrant that a software program produced according to the guidelines provided in this manual functions properly in every physical, hardware or software environment.

Although Danfoss has tested and reviewed the documentation within this manual, Danfoss makes no warranty or representation, neither expressed nor implied, with respect to this documentation, including its quality, performance, or fitness for a particular purpose.

In no event shall Danfoss be liable for direct, indirect, special, incidental, or consequential damages arising out of the use, or the inability to use information contained in this manual, even if advised of the possibility of such damages. In particular, Danfoss is not responsible for any costs, including but not limited to those incurred as a result of lost profits or revenue, loss or damage of equipment, loss of computer programs, loss of data, the costs to substitute these, or any claims by third parties.

Danfoss reserves the right to revise this publication at any time and to make changes to its contents without prior notice or any obligation to notify former or present users of such revisions or changes.

1.1.2 Available Literature

NOTE

This design guide contains the basic information necessary for installing and running the frequency converter.

Danfoss technical literature is available in print from local Danfoss Sales Offices or online at: www.danfoss.com/BusinessAreas/DrivesSolutions/Documentations

- VLT Micro Drive FC 51 Quick Guide, MG02B
- VLT Micro Drive FC 51 Programming Guide, MG02C
- FC 51 LCP Mounting Instruction, MI02A
- FC 51 De-coupling Plate Mounting Instruction, MI02B
- FC 51 Remote Mounting Kit Mounting Instruction, MI02C
- FC 51 DIN Rail Kit Mounting Instruction, MI02D
- FC 51 IP21 Kit Mounting Instruction, MI02E
- FC 51 Nema1 Kit Mounting Instruction, MI02F
- FC 51 Line Filter MCC 107 Installation Instruction, MI02U

1.1.3 Symbols

The following symbols are used in this manual.

⚠ WARNING

Indicates a potentially hazardous situation which, if not avoided, could result in death or serious injury.

⚠ CAUTION

Indicates a potentially hazardous situation which, if not avoided, may result in minor or moderate injury. It may also be used to alert against unsafe practices.

CAUTION

Indicates a situation that may result in equipment or property-damage-only accidents.

NOTE

Indicates highlighted information that should be regarded with attention to avoid mistakes or operate equipment at less than optimal performance.

1.1.4 Abbreviations

| | |
|--|----------------------|
| Alternating current | AC |
| American wire gauge | AWG |
| Ampere/AMP | A |
| Automatic Motor Tuning | AMT |
| Current limit | I _{LIM} |
| Degrees Celsius | °C |
| Direct current | DC |
| Electro Magnetic Compatibility | EMC |
| Electronic Thermal Relay | ETR |
| Frequency Converter | FC |
| Gram | g |
| Hertz | Hz |
| Kilohertz | kHz |
| Local Control Panel | |
| Meter | m |
| Millihenry Inductance | mH |
| Milliamper | mA |
| Millisecond | ms |
| Minute | min |
| Motion Control Tool | MCT |
| Nanofarad | nF |
| Newton Meters | Nm |
| Nominal motor current | I _{M,N} |
| Nominal motor frequency | f _{M,N} |
| Nominal motor power | P _{M,N} |
| Nominal motor voltage | U _{M,N} |
| Protective Extra Low Voltage | PELV |
| Printed Circuit Board | PCB |
| Rated Inverter Output Current | I _{INV} |
| Revolutions Per Minute | RPM |
| Regenerative terminals | Regen |
| Second | s |
| Synchronous Motor Speed | n _s |
| Torque limit | T _{LIM} |
| Volts | V |
| The maximum output current | I _{VLT,MAX} |
| The rated output current supplied by the frequency converter | I _{VLT,N} |

Table 1.3

1.1.5 Definitions

$I_{VLT,MAX}$

The maximum output current.

$I_{VLT,N}$

The rated output current supplied by the frequency converter.

$U_{VLT, MAX}$

The maximum output voltage.

Input

| | | |
|---|---------|--|
| <u>Control command</u> The connected motor can be started and stopped with LCP and the digital inputs. Functions are divided into 2 groups. Functions in group 1 have higher priority than functions in group 2. | Group 1 | Reset, Coasting stop, Reset and Coasting stop, Quick-stop, DC braking, Stop and the [Off] key. |
| | Group 2 | Start, Pulse start, Reversing, Start reversing, Jog and Freeze output |

Table 1.4

Motor

f_{JOG}

The motor frequency when the jog function is activated (via digital terminals).

f_M

The motor frequency.

f_{MAX}

The maximum motor frequency.

f_{MIN}

The minimum motor frequency.

$f_{M,N}$

The rated motor frequency (nameplate data).

I_M

The motor current.

$I_{M,N}$

The rated motor current (nameplate data).

$n_{M,N}$

The rated motor speed (nameplate data).

$P_{M,N}$

The rated motor power (nameplate data).

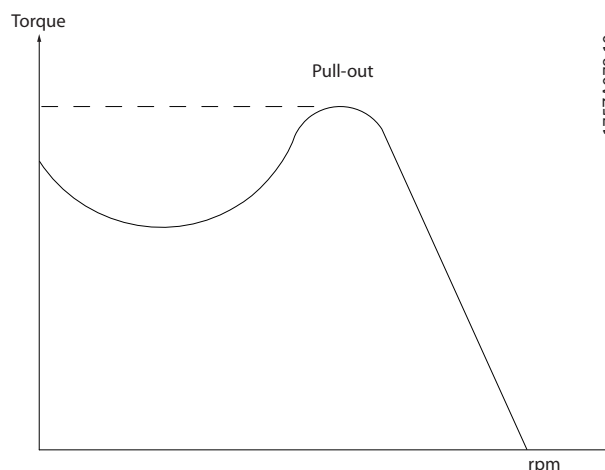
U_M

The instantaneous motor voltage.

$U_{M,N}$

The rated motor voltage (nameplate data).

Break-away torque



175ZA078.10

Illustration 1.1

η_{VLT}

The efficiency of the is defined as the ratio between the power output and the power input.

Start-disable command

A stop command belonging to the group 1 control commands - see this group.

Stop command

See Control commands.

References

Analog Reference

A signal transmitted to the analog inputs 53 or 54, can be voltage or current.

Bus Reference

A signal transmitted to the serial communication port (FC port).

Preset Reference

A defined preset reference to be set from -100% to +100% of the reference range. Selection of eight preset references via the digital terminals.

Ref_{MAX}

Determines the relationship between the reference input at 100% full scale value (typically 10 V, 20 mA) and the resulting reference. The maximum reference value set in *3-03 Maximum Reference*.

Ref_{MIN}

Determines the relationship between the reference input at 0% value (typically 0 V, 0 mA, 4 mA) and the resulting reference. The minimum reference value set in *3-02 Minimum Reference*

MiscellaneousAnalog Inputs

The analog inputs are used for controlling various functions of the frequency converter.

There are two types of analog inputs:

Current input, 0-20 mA and 4-20 mA

Voltage input, 0-10 V DC.

Analog Outputs

The analog outputs can supply a signal of 0-20 mA, 4-20 mA, or a digital signal.

Automatic Motor Tuning, AMT

AMT algorithm determines the electrical parameters for the connected motor at standstill.

Brake Resistor

The brake resistor is a module capable of absorbing the brake power generated in regenerative braking. This regenerative braking power increases the intermediate circuit voltage and a brake chopper ensures that the power is transmitted to the brake resistor.

CT Characteristics

Constant torque characteristics used for all applications such as conveyor belts, displacement pumps and cranes.

Digital Inputs

The digital inputs can be used for controlling various functions of the frequency converter.

Relay Outputs

The features two programmable Relay Outputs.

ETR

Electronic Thermal Relay is a thermal load calculation based on present load and time. Its purpose is to estimate the motor temperature.

Initialising

If initialising is carried out (*14-22 Operation Mode*), the programmable parameters of the frequency converter return to their default settings.

Initialising; *14-22 Operation Mode* will not initialise communication parameters.

Intermittent Duty Cycle

An intermittent duty rating refers to a sequence of duty cycles. Each cycle consists of an on-load and an off-load period. The operation can be either periodic duty or none-periodic duty.

LCP

The Local Control Panel (LCP) makes up a complete interface for control and programming of the frequency converter. The control panel is detachable and can be installed up to 3 m from the frequency converter, that is, in a front panel with the installation kit option.

lsb

Least significant bit.

MCM

Short for Mille Circular Mil, an American measuring unit for cable cross-section. 1 MCM \equiv 0.5067 mm².

msb

Most significant bit.

On-line/Off-line Parameters

Changes to on-line parameters are activated immediately after the data value is changed. Changes to off-line parameters are not activated until you enter [OK] on the LCP.

PI Controller

The PI controller maintains the desired speed, pressure, temperature, etc. by adjusting the output frequency to match the varying load.

RCD

Residual Current Device.

Set-up

You can save parameter settings in 2 Set-ups. Change between the 2 parameter Set-ups and edit one Set-up, while another Set-up is active.

Slip Compensation

The frequency converter compensates for the motor slip by giving the frequency a supplement that follows the measured motor load keeping the motor speed almost constant.

Smart Logic Control (SLC)

The SLC is a sequence of user-defined actions executed when the associated user-defined events are evaluated as true by the SLC.

Thermistor

A temperature-dependent resistor placed where the temperature is to be monitored (frequency converter or motor).

STW

Status Word.

FC Standard Bus

Includes RS 485 bus with FC protocol. See *8-30 Protocol*.

Trip

A state entered in fault situations, e.g. if the frequency converter is subject to an over-temperature or when the frequency converter is protecting the motor, process or mechanism. Restart is prevented until the cause of the fault has disappeared and the trip state is canceled by activating reset or, in some cases, by being programmed

to reset automatically. Trip may not be used for personal safety.

Trip Locked

A state entered in fault situations when the frequency converter is protecting itself and requiring physical intervention, for example, if the frequency converter is subject to a short circuit on the output. A locked trip can only be canceled by cutting off mains, removing the cause of the fault, and reconnecting the frequency converter. Restart is prevented until the trip state is canceled by activating reset or, in some cases, by being programmed to reset automatically. Trip locked may not be used for personal safety.

VT Characteristics

Variable torque characteristics used for pumps and fans.

VVC^{plus}

If compared with standard voltage/frequency ratio control, Voltage Vector Control (VVC^{plus}) improves the dynamics and the stability, both when the speed reference is changed and in relation to the load torque.

1.1.6 Power Factor

The power factor is the relation between I_1 and I_{RMS} .

$$\text{Power factor} = \frac{\sqrt{3} \times U \times I_1 \times \cos\varphi}{\sqrt{3} \times U \times I_{RMS}}$$

The power factor for 3-phase control:

$$= \frac{I_1 \times \cos\varphi}{I_{RMS}} = \frac{I_1}{I_{RMS}} \text{ since } \cos\varphi = 1$$

The power factor indicates to which extent the frequency converter imposes a load on the mains supply.

The lower the power factor, the higher the I_{RMS} for the same kW performance.

$$I_{RMS} = \sqrt{I_1^2 + I_5^2 + I_7^2 + \dots + I_n^2}$$

In addition, a high-power factor indicates that the different harmonic currents are low.

2 Safety and Conformity

2.1 Safety

2.1.1 Safety Note

⚠ WARNING

DANGEROUS VOLTAGE

The voltage of the frequency converter is dangerous whenever connected to mains. Incorrect installation of the motor, frequency converter or fieldbus may cause death, serious personal injury or damage to the equipment. Consequently, the instructions in this manual, as well as national and local rules and safety regulations, must be complied with.

Safety Regulations

1. The frequency converter must be disconnected from mains if repair work is to be carried out. Check that the mains supply has been disconnected and that the necessary time has passed before removing motor and mains plugs.
2. The [Off/Reset] key on the LCP does not disconnect the equipment from mains and is thus not to be used as a safety switch.
3. Correct protective earthing of the equipment must be established, the user must be protected against supply voltage, and the motor must be protected against overload in accordance with applicable national and local regulations.
4. The earth leakage currents are higher than 3.5 mA.
5. Protection against motor overload is set by *1-90 Motor Thermal Protection*. If this function is desired, set *1-90 Motor Thermal Protection* to data value [ETR trip] (default value) or data value [ETR warning]. Note: The function is initialized at 1.16 x rated motor current and rated motor frequency. For the North American market: The ETR functions provide class 20 motor overload protection in accordance with NEC.
6. Do not remove the plugs for the motor and mains supply while the frequency converter is connected to mains. Check that the mains supply has been disconnected and that the necessary time has passed before removing motor and mains plugs.
7. Check that all voltage inputs have been disconnected and that the necessary time has passed before commencing repair work.

Installation at high altitudes

⚠ CAUTION

At altitudes above 2 km, contact Danfoss regarding PELV.

⚠ WARNING

UNINTENDED START

1. The motor can be brought to a stop with digital commands, bus commands, references or a local stop, while the frequency converter is connected to mains. If personal safety considerations make it necessary to ensure that no unintended start occurs, these stop functions are not sufficient.
2. While parameters are being changed, the motor may start. Consequently, the stop key [Off/Reset] must always be activated; following which data can be modified.
3. A motor that has been stopped may start if faults occur in the electronics of the frequency converter, or if a temporary overload or a fault in the supply mains or the motor connection ceases.

2.1.2 Safety

⚠ WARNING

HIGH VOLTAGE!

Frequency converters contain high voltage when connected to AC mains input power. Installation, start up, and maintenance should be performed by qualified personnel only. Failure to perform installation, start up, and maintenance by qualified personnel could result in death or serious injury.

High Voltage

Frequency converters are connected to hazardous mains voltages. Extreme care should be taken to protect against shock. Only trained personnel familiar with electronic equipment should install, start, or maintain this equipment.

⚠ WARNING

UNINTENDED START!

When the frequency converter is connected to AC mains, the motor may start at any time. The frequency converter, motor, and any driven equipment must be in operational readiness. Failure to be in operational readiness when the frequency converter is connected to AC mains could result in death, serious injury, equipment, or property damage.

Unintended Start

When the frequency converter is connected to the AC mains, the motor may be started by means of an external switch, a serial bus command, an input reference signal, or a cleared fault condition. Use appropriate cautions to guard against an unintended start.

⚠ WARNING

DISCHARGE TIME!

Frequency converters contain DC-link capacitors that can remain charged even when the frequency converter is not powered. To avoid electrical hazards, disconnect AC mains, any permanent magnet type motors, and any remote DC-link power supplies, including battery backups, UPS and DC-link connections to other frequency converters. Wait for the capacitors to fully discharge before performing any service or repair work. The amount of wait time is listed in the *Discharge Time* table. Failure to wait the specified time after power has been removed before doing service or repair could result in death or serious injury.

| Size | Minimum waiting time [min] |
|---------------|----------------------------|
| M1, M2 and M3 | 4 |
| M4 and M5 | 15 |

Table 2.1 Discharge Time

2.1.3 Disposal Instruction

Equipment containing electrical components may not be disposed of together with domestic waste. It must be separately collected with electrical and electronic waste according to local and currently valid legislation.

Table 2.2

2.2 CE Labeling

2.2.1 CE Conformity and Labeling

What is CE Conformity and Labeling?

The purpose of CE labeling is to avoid technical trade obstacles within EFTA and the EU. The EU has introduced the CE label as a simple way of showing whether a

product complies with the relevant EU directives. The CE label says nothing about the specifications or quality of the product. Frequency converters are regulated by three EU directives:

The machinery directive (98/37/EEC)

All machines with critical moving parts are covered by the machinery directive of January 1, 1995. Since a frequency converter is largely electrical, it does not fall under the machinery directive. However, if a frequency converter is supplied for use in a machine, Danfoss provides information on safety aspects relating to the frequency converter. Danfoss do this by means of a manufacturer's declaration.

The low-voltage directive (73/23/EEC)

Frequency converters must be CE labeled in accordance with the low-voltage directive of January 1, 1997. The directive applies to all electrical equipment and appliances used in the 50-1000 V AC and the 75-1500 V DC voltage ranges. Danfoss CE-labels in accordance with the directive and issues a declaration of conformity upon request.

The EMC directive (89/336/EEC)

EMC is short for electromagnetic compatibility. The presence of electromagnetic compatibility means that the mutual interference between different components/appliances does not affect the way the appliances work. The EMC directive came into effect January 1, 1996. Danfoss CE-labels in accordance with the directive and issues a declaration of conformity upon request. To carry out EMC-correct installation, see the instructions in this Design Guide. In addition, Danfoss specifies which standards our products comply with. Danfoss offers the filters presented in the specifications and provide other types of assistance to ensure the optimum EMC result.

The frequency converter is most often used by professionals of the trade as a complex component forming part of a larger appliance, system or installation. It must be noted that the responsibility for the final EMC properties of the appliance, system or installation rests with the installer.

2.2.2 What is Covered

The EU "Guidelines on the Application of Council Directive 89/336/EEC" outline three typical situations of using a frequency converter. See 2.2.3 *Danfoss Frequency Converter and CE Labeling* for EMC coverage and CE labeling.

1. The frequency converter is sold directly to the end-consumer. The frequency converter is for example sold to a DIY market. The end-consumer is a layman. He installs the frequency converter himself for use with a hobby machine, a kitchen appliance, etc. For such applications, the

frequency converter must be CE labeled in accordance with the EMC directive.

2. The frequency converter is sold for installation in a plant. The plant is built up by professionals of the trade. It could be a production plant or a heating/ventilation plant designed and installed by professionals of the trade. Neither the frequency converter nor the finished plant has to be CE labeled under the EMC directive. However, the unit must comply with the basic EMC requirements of the directive. This is ensured by using components, appliances, and systems that are CE labeled under the EMC directive.
3. The frequency converter is sold as part of a complete system. The system is being marketed as complete and could for example, be an air-conditioning system. The complete system must be CE labeled in accordance with the EMC directive. The manufacturer can ensure CE labeling under the EMC directive either by using CE labeled components or by testing the EMC of the system. If only CE labeled components are chosen, the entire system does not have to be tested.

2.2.3 Danfoss Frequency Converter and CE Labeling

CE labeling is a positive feature when used for its original purpose, that is, to facilitate trade within the EU and EFTA.

However, CE labeling may cover many different specifications. Check what a given CE label specifically covers.

The covered specifications can be very different and a CE label may therefore give the installer a false feeling of security when using a frequency converter as a component in a system or an appliance.

Danfoss CE labels the frequency converters in accordance with the low-voltage directive. This means that if the frequency converter is installed correctly, Danfoss guarantees compliance with the low-voltage directive. Danfoss issues a declaration of conformity that confirms our CE labeling in accordance with the low-voltage directive.

The CE label also applies to the EMC directive provided that the instructions for EMC-correct installation and filtering are followed. On this basis, a declaration of conformity in accordance with the EMC directive is issued.

The Design Guide offers detailed instructions for installation to ensure EMC-correct installation. Furthermore,

Danfoss specifies which our different products comply with.

Danfoss provides other types of assistance that can help to obtain the best EMC result.

2.2.4 Compliance with EMC Directive 89/336/EEC

As mentioned, the frequency converter is mostly used by professionals of the trade as a complex component forming part of a larger appliance, system, or installation. It must be noted that the responsibility for the final EMC properties of the appliance, system or installation rests with the installer. As an aid to the installer, Danfoss has prepared EMC installation guidelines for the Power Drive system. The standards and test levels stated for Power Drive systems are complied with, if the EMC-correct instructions for installation are followed.

The frequency converter has been designed to meet the IEC/EN 60068-2-3 standard, EN 50178 9.4.2.2 at 50 °C.

2.3 Aggressive Environments

A frequency converter contains many mechanical and electronic components. All are to some extent vulnerable to environmental effects.

CAUTION

The frequency converter should not be installed in environments with airborne liquids, particles, or gases capable of affecting and damaging the electronic components. Failure to take the necessary protective measures increases the risk of stoppages, thus reducing the life of the frequency converter.

Liquids can be carried through the air and condense in the frequency converter and may cause corrosion of components and metal parts. Steam, oil, and salt water may cause corrosion of components and metal parts. In such environments, use equipment with enclosure rating IP54. As an extra protection, coated printed circuit boards can be ordered as an option. (Standard on some power sizes.)

Airborne Particles such as dust may cause mechanical, electrical, or thermal failure in the frequency converter. A typical indicator of excessive levels of airborne particles is dust particles around the frequency converter fan. In dusty environments, use equipment with enclosure rating IP54 or a cabinet for IP20/TYPE 1 equipment.

In environments with high temperatures and humidity, corrosive gases such as sulphur, nitrogen, and chlorine

compounds causes chemical processes on the frequency converter components.

Such chemical reactions rapidly affects and damages the electronic components. In such environments, mount the equipment in a cabinet with fresh air ventilation, keeping aggressive gases away from the frequency converter. An extra protection in such areas is a coating of the printed circuit boards, which can be ordered as an option.

NOTE

Mounting frequency converters in aggressive environments increases the risk of stoppages and considerably reduces the life of the frequency converter.

Before installing the frequency converter, check the ambient air for liquids, particles, and gases. This is done by observing existing installations in this environment. Typical indicators of harmful airborne liquids are water or oil on metal parts, or corrosion of metal parts.

Excessive dust particle levels are often found on installation cabinets and existing electrical installations. One indicator of aggressive airborne gases is blackening of copper rails and cable ends on existing installations.

2.4 Vibration and Shock

The frequency converter has been tested according to the procedure based on the shown standards:

The frequency converter complies with requirements that exist for units mounted on the walls and floors of production premises, as well as in panels bolted to walls or floors.

| | |
|-------------------|-------------------------------|
| IEC/EN 60068-2-6 | Vibration (sinusoidal) - 1970 |
| IEC/EN 60068-2-64 | Vibration, broad-band random |

Table 2.3

2.5 Advantages

2.5.1 Why use a Frequency Converter for Controlling Fans and Pumps?

A frequency converter takes advantage of the fact that centrifugal fans and pumps follow the laws of proportionality for such fans and pumps. For further information see 2.5.3 Example of Energy Savings.

2.5.2 The Clear Advantage - Energy Savings

The clear advantage of using a frequency converter for controlling the speed of fans or pumps lies in the electricity savings.

When comparing with alternative control systems and technologies, a frequency converter is the optimum energy control system for controlling fan and pump systems.

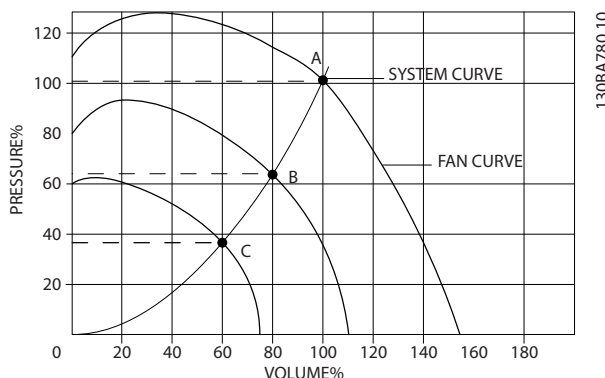


Illustration 2.1 The graph is Showing Fan Curves (A, B, and C) for Reduced Fan Volumes.

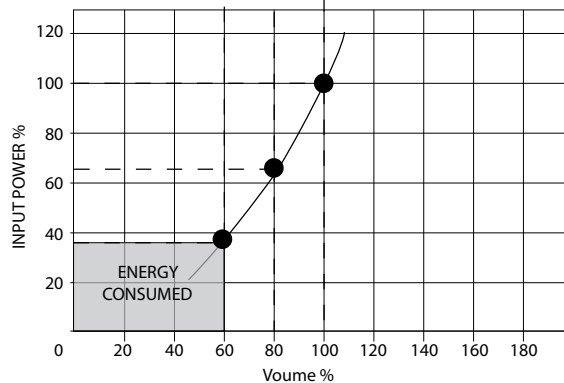
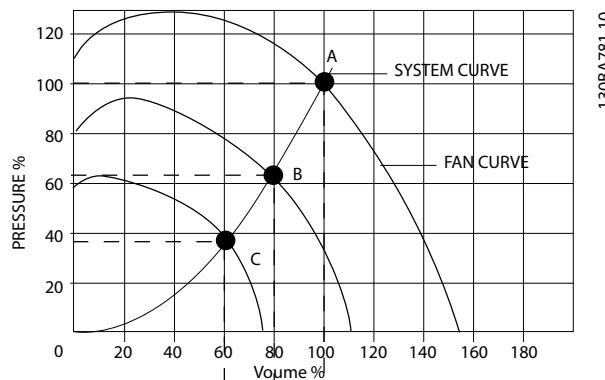


Illustration 2.2 When using a frequency converter to reduce fan capacity to 60% - more than 50% energy savings may be obtained in typical applications.

2

2.5.3 Example of Energy Savings

As shown in *Illustration 2.3*, the flow is controlled by changing the RPM. By reducing the speed only 20% from the rated speed, the flow is also reduced by 20%. This is because the flow is directly proportional to the RPM. The consumption of electricity, however, is reduced by 50%. If the system in question only needs to be able to supply a flow that corresponds to 100% a few days in a year, while the average is below 80% of the rated flow for the remainder of the year, the amount of energy saved is even more than 50%.

Illustration 2.3 describes the dependence of flow, pressure and power consumption on RPM.

| | |
|----------------------------------|-------------------------------|
| Q=Flow | P=Power |
| Q ₁ =Rated flow | P ₁ =Rated power |
| Q ₂ =Reduced flow | P ₂ =Reduced power |
| H=Pressure | n=Speed regulation |
| H ₁ =Rated pressure | n ₁ =Rated speed |
| H ₂ =Reduced pressure | n ₂ =Reduced speed |

Table 2.4 The Laws of Proportionality

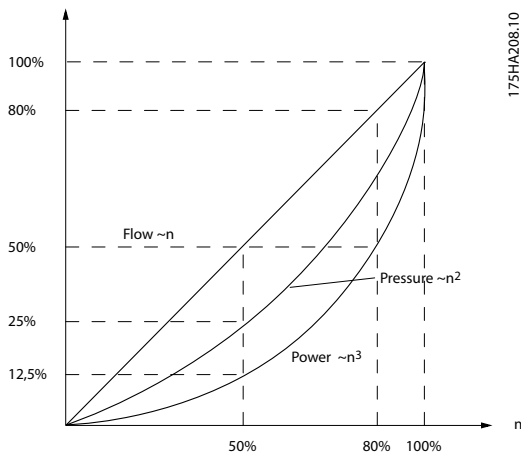


Illustration 2.3 Laws of Proportionality

$$\text{Flow} : \frac{Q_1}{Q_2} = \frac{n_1}{n_2}$$

$$\text{Pressure} : \frac{H_1}{H_2} = \left(\frac{n_1}{n_2}\right)^2$$

$$\text{Power} : \frac{P_1}{P_2} = \left(\frac{n_1}{n_2}\right)^3$$

2.5.4 Comparison of Energy Savings

The Danfoss frequency converter solution offers major savings compared with traditional energy saving solutions. This is because the frequency converter is able to control fan speed according to thermal load on the system and the fact that the frequency converter has a built-in facility

that enables the frequency converter to function as a Building Management System, BMS.

Illustration 2.5 shows typical energy savings obtainable with 3 well-known solutions when fan volume is reduced to i.e. 60%.

As the graph shows, more than 50% energy savings can be achieved in typical applications.

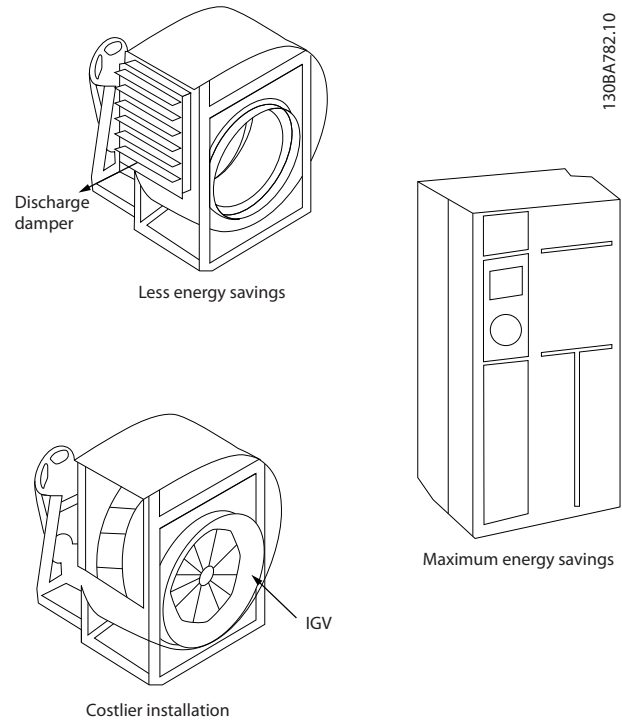


Illustration 2.4 The Three Common Energy Saving Systems

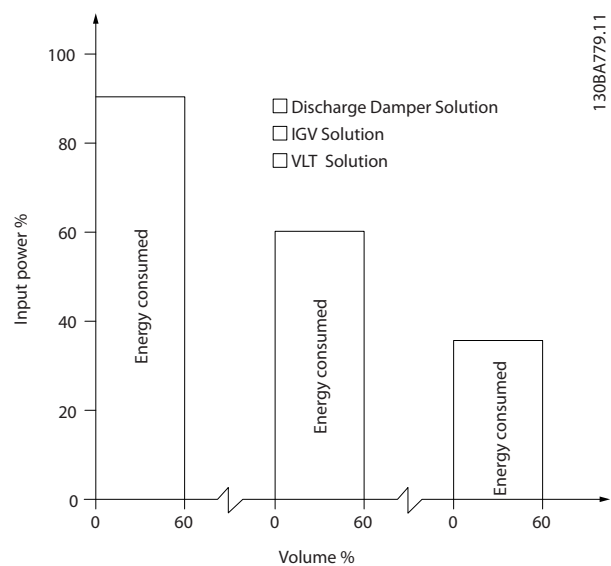


Illustration 2.5 Energy Savings

Discharge dampers reduce power consumption somewhat. Inlet Guide Vans offer a 40% reduction but are expensive

to install. The Danfoss frequency converter solution reduces energy consumption with more than 50% and is easy to install.

2.5.5 Example with Varying Flow over 1 Year

This example is calculated based on pump characteristics obtained from a pump datasheet. The result obtained shows energy savings in excess of 50% at the given flow distribution over a year. The pay back period depends on the price per kWh and price of frequency converter. In this example it is less than a year when compared with valves and constant speed.

Energy savings

$$P_{\text{shaft}} = P_{\text{shaft output}}$$

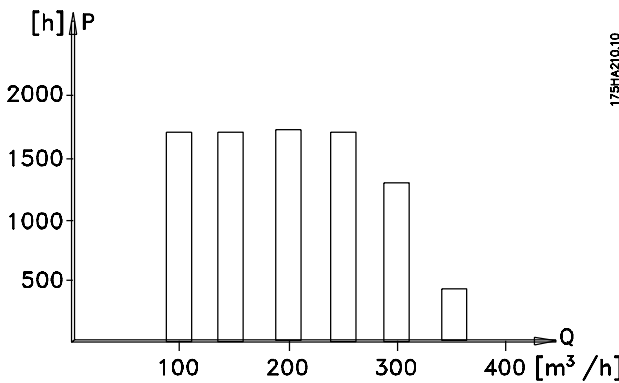


Illustration 2.6 Flow Distribution over 1 Year

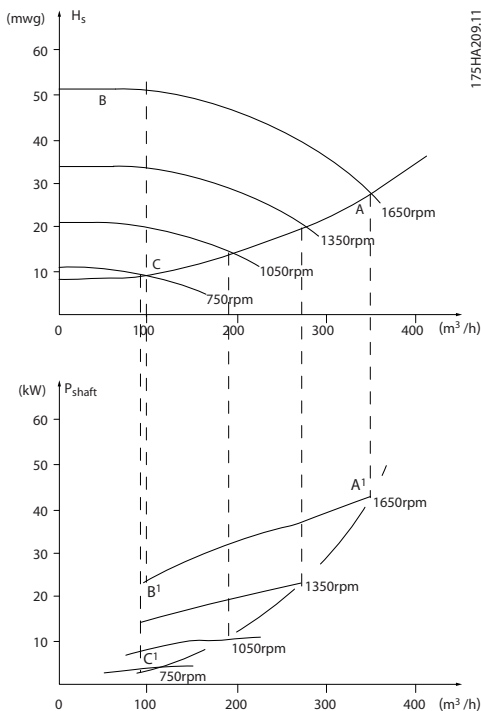


Illustration 2.7

| m³/h | Distribution | | Valve regulation | | Frequency Converter control | |
|------|--------------|-------|---------------------------------|-------------|---------------------------------|-------------|
| | % | Hours | Power | Consumption | Power | Consumption |
| | | | A ₁ - B ₁ | kWh | A ₁ - C ₁ | kWh |
| 350 | 5 | 438 | 42.5 | 18.615 | 42.5 | 18.615 |
| 300 | 15 | 1314 | 38.5 | 50.589 | 29.0 | 38.106 |
| 250 | 20 | 1752 | 35.0 | 61.320 | 18.5 | 32.412 |
| 200 | 20 | 1752 | 31.5 | 55.188 | 11.5 | 20.148 |
| 150 | 20 | 1752 | 28.0 | 49.056 | 6.5 | 11.388 |
| 100 | 20 | 1752 | 23.0 | 40.296 | 3.5 | 6.132 |
| Σ | 100 | 8760 | | 275.064 | | 26.801 |

Table 2.5

2.5.6 Better Control

If a frequency converter is used for controlling the flow or pressure of a system, improved control is obtained. A frequency converter can vary the speed of the fan or pump, obtaining variable control of flow and pressure. Furthermore, a frequency converter can quickly adapt the speed of the fan or pump to new flow or pressure conditions in the system. Simple control of process (Flow, Level or Pressure) utilizing the built-in PI control.

2.5.7 Star/Delta Starter or Soft-starter not Required

When larger motors are started, it is necessary in many countries to use equipment that limits the start-up current. In more traditional systems, a star/delta starter or soft-starter is widely used. Such motor starters are not required if a frequency converter is used.

As illustrated in *Illustration 2.8*, a frequency converter does not consume more than rated current.

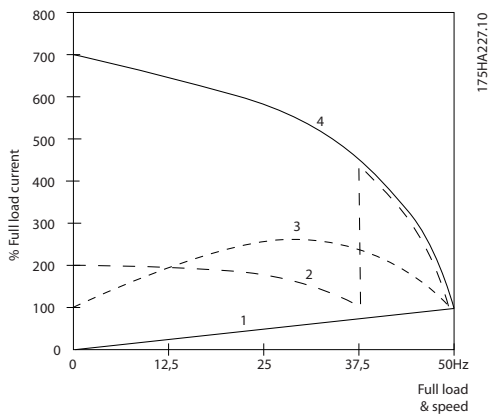


Illustration 2.8

| | |
|---|-------------------------|
| 1 | VLT® Micro Drive |
| 2 | Star/delta starter |
| 3 | Soft-starter |
| 4 | Start directly on mains |

Table 2.6

2.5.8 Using a Frequency Converter Saves Money

Example 2.5.9 *Without a Frequency Converter* shows that a lot of equipment is not required when a frequency converter is used. It is possible to calculate the cost of installing the two different systems. In the example, the two systems can be established at roughly the same price.

2.5.9 Without a Frequency Converter

| | |
|-------------------------------|---------------------------------|
| D.D.C.=Direct Digital Control | E.M.S.=Energy Management system |
| V.A.V.=Variable Air Volume | |
| Sensor P=Pressure | Sensor T=Temperature |

Table 2.7 Fan System made in the Traditional Way

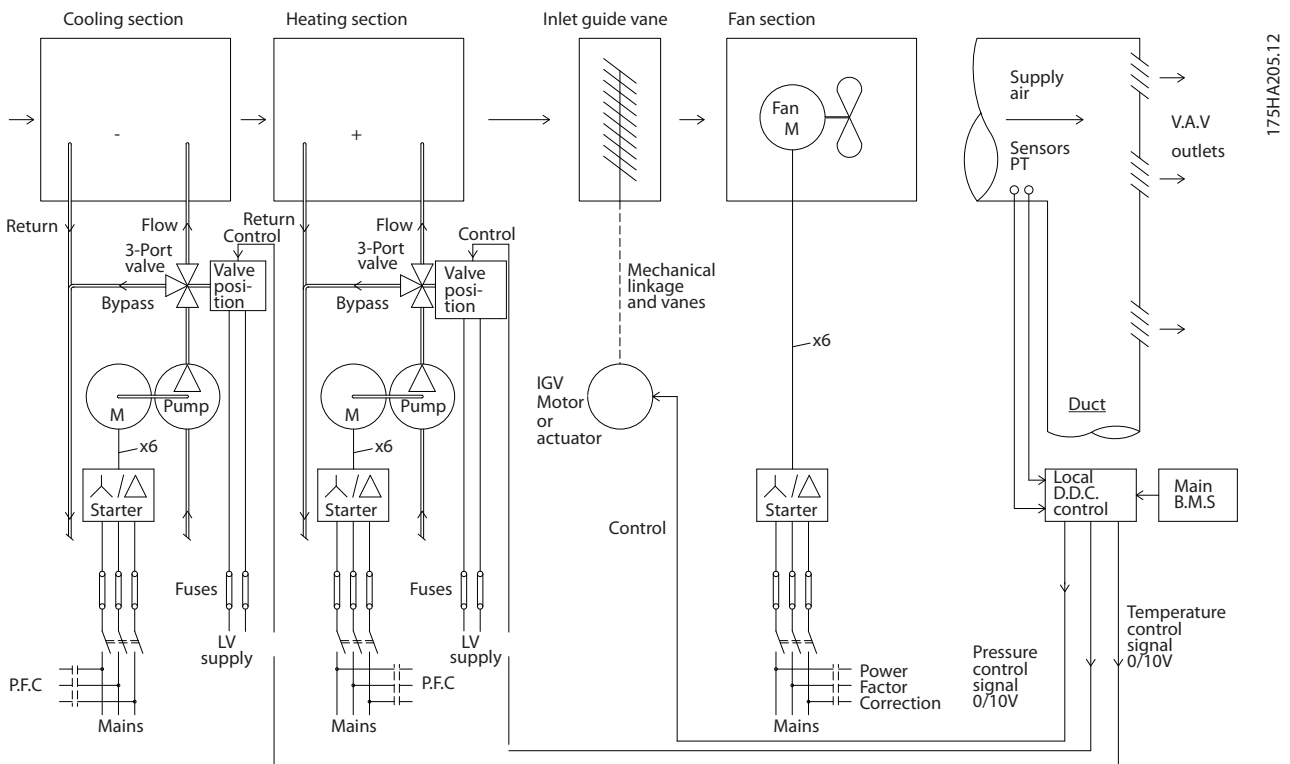
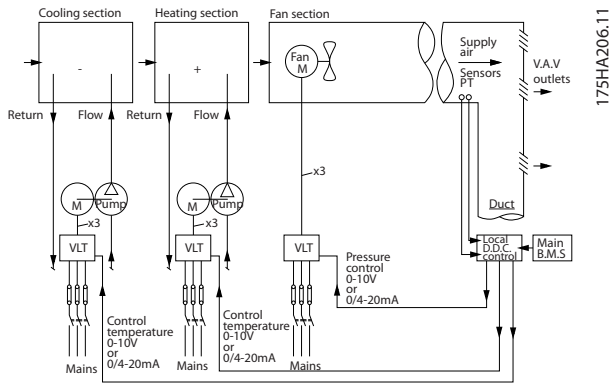


Illustration 2.9

2.5.10 With a Frequency Converter



175HA206.11

2

Illustration 2.10 Fan System Controlled by Frequency Converters

3 Introduction to VLT® Micro Drive

3

3.1 Control Structures

In 1-00 Configuration Mode it can be selected if open or closed loop is to be used.

3.1.1 Control Structure Open Loop

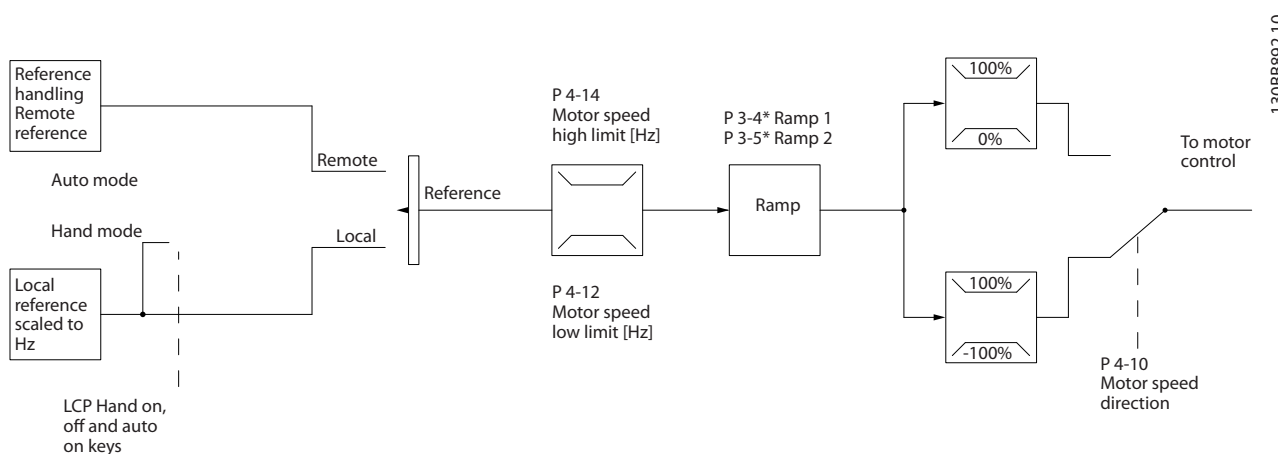


Illustration 3.1 Open Loop Structure

In the configuration shown in *Illustration 3.1*, 1-00 Configuration Mode is set to [0] Open loop. The resulting reference from the reference handling system or the local reference is received and fed through the ramp limitation and speed limitation before being sent to the motor control. The output from the motor control is then limited by the maximum frequency limit.

3.1.2 Local (Hand On) and Remote (Auto On) Control

The frequency converter can be operated manually via the local control panel (LCP) or remotely via analog/digital inputs or serial bus. If allowed in 0-40 [Hand on] Key on LCP, 0-44 [Off/Reset] Key on LCP, and 0-42 [Auto on] Key on LCP, it is possible to start and stop the frequency converter by LCP using the [Hand On] and [Off/Reset] keys. Alarms can be reset via the [Off/Reset] key. After pressing the [Hand On] key, the frequency converter goes into Hand Mode and follows (as default) the local reference set by using the LCP potentiometer (LCP 12) or [▲]/[▼] (LCP 11). The potentiometer can be disabled by parameter P6-80. If potentiometer is disabled, arrow keys can be used for adjusting reference.

After pressing the [Auto On] key, the frequency converter goes into Auto mode and follows (as default) the remote

reference. In this mode, it is possible to control the frequency converter via the digital inputs and RS-485. See more about starting, stopping, changing ramps and parameter set-ups etc. in parameter group 5-1* (Digital Inputs) or parameter group 8-5* (Serial Communication).

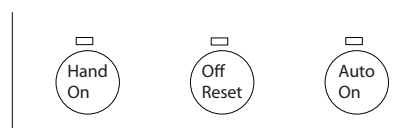


Illustration 3.2

Local reference forces the configuration mode to open loop, independent on the setting of 1-00 Configuration Mode.

Local Reference is restored at power-down.

3.1.3 Control Structure Closed Loop

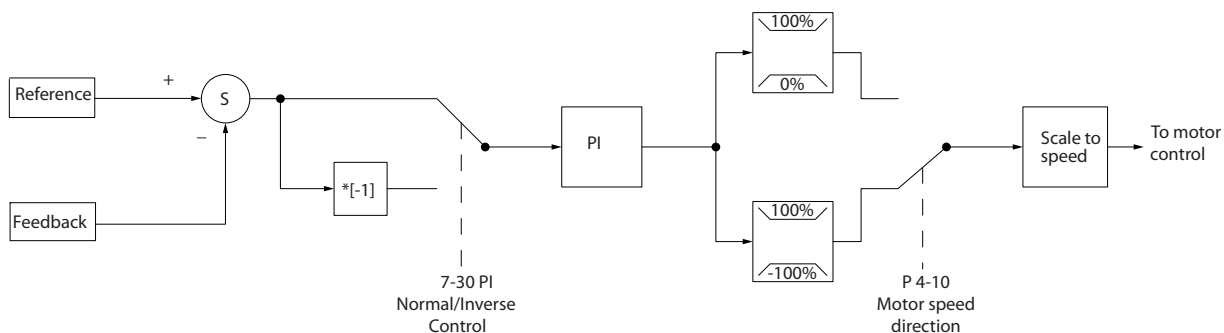
The internal controller allows the frequency converter to become an integral part of the controlled system. The frequency converter receives a feedback signal from a sensor in the system. It then compares this feedback to a set-point reference value and determines the error, if any,

between these two signals. It then adjusts the speed of the motor to correct this error.

For example, consider a pump application where the speed of a pump is to be controlled so that the static pressure in a pipe is constant. The desired static pressure value is supplied to the frequency converter as the set-point reference. A static pressure sensor measures the

actual static pressure in the pipe and supplies this to the frequency converter as a feedback signal. If the feedback signal is greater than the set-point reference, the frequency converter slows down to reduce the pressure. In a similar way, if the pipe pressure is lower than the set-point reference, the frequency converter automatically speed up to increase the pressure provided by the pump.

3



13088894.11

Illustration 3.3

While the default values for the frequency converter's Closed Loop controller often provides satisfactory performance, the control of the system can often be optimized by adjusting some of the Closed Loop controller's parameters.

3.1.4 Reference Handling

Details for Open Loop and Closed Loop operation.

3

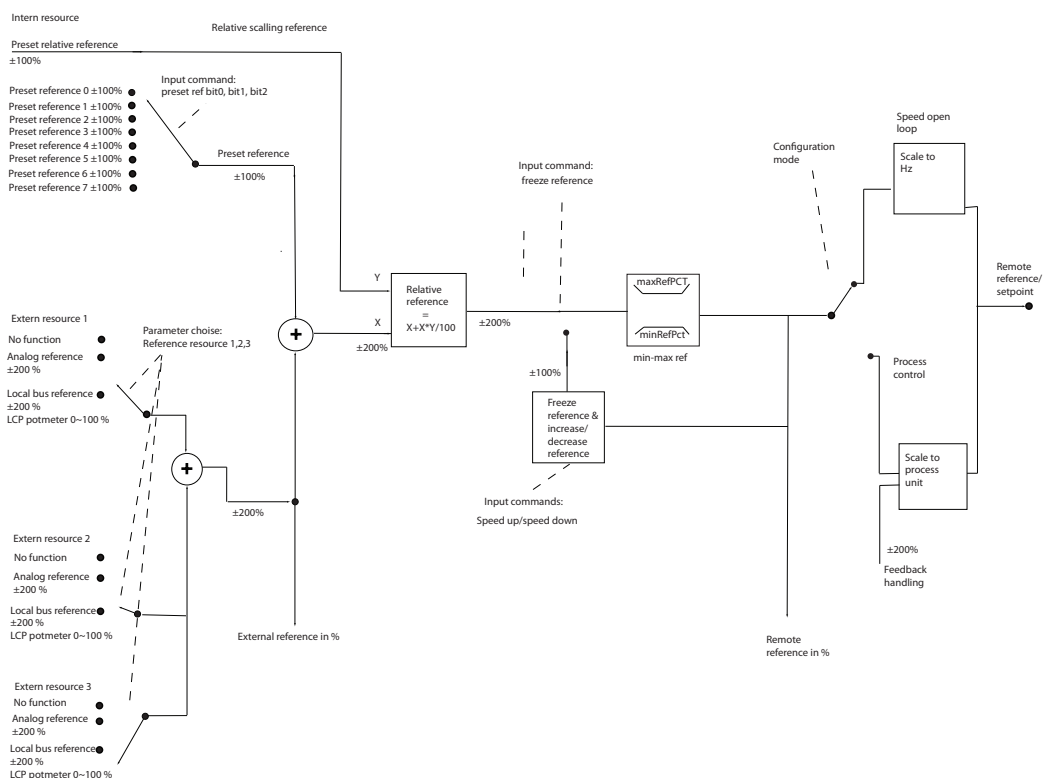


Illustration 3.4 Block Diagram Showing Remote Reference

The remote reference is comprised of

- Preset references
- External references (analog inputs and serial communication bus references)
- The preset relative reference
- Feedback controlled setpoint

Up to 8 preset references can be programmed in the frequency converter. The active preset reference can be selected using digital inputs or the serial communications bus. The reference can also be supplied externally, most commonly from an analog input. This external source is selected by one of the 3 Reference Source parameters (3-15 Reference 1 Source, 3-16 Reference 2 Source and 3-17 Reference 3 Source). All reference resources and the bus reference are added to produce the total external reference. The external reference, the preset reference or the sum of the two can be selected to be the active

reference. Finally, this reference can be scaled using 3-14 Preset Relative Reference.

The scaled reference is calculated as follows:

$$Reference = X + X \times \left(\frac{Y}{100}\right)$$

Where X is the external reference, the preset reference or the sum of these and Y is 3-14 Preset Relative Reference in [%].

If Y, 3-14 Preset Relative Reference is set to 0%, the reference will not be affected by the scaling.

3.2 General Aspects of EMC

Electrical interference is usually conducted at frequencies in the range 150 kHz to 30 MHz. Airborne interference from the frequency converter system in the range 30 MHz to 1 GHz is generated from the inverter, motor cable, and the motor.

As shown in *Illustration 3.5*, capacitive currents in the motor cable coupled with a high dU/dt from the motor voltage generate leakage currents.

The use of a screened motor cable increases the leakage current (see *Illustration 3.5*) because screened cables have higher capacitance to earth than unscreened cables. If the leakage current is not filtered, it causes greater interference on the mains in the radio frequency range below approximately 5 MHz. Since the leakage current (I_1) is carried back to the unit through the screen (I_3), there will in principle only be a small electro-magnetic field (I_4)

from the screened motor cable according to the below figure.

The screen reduces the radiated interference but increases the low-frequency interference on the mains. The motor cable screen must be connected to the frequency converter enclosure as well as on the motor enclosure. This is best done by using integrated screen clamps so as to avoid twisted screen ends (pigtailed). These increase the screen impedance at higher frequencies, which reduces the screen effect and increases the leakage current (I_4). If a screened cable is used for fieldbus, relay, control cable, signal interface and brake, the screen must be mounted on the enclosure at both ends. In some situations, however, it is necessary to break the screen to avoid current loops.

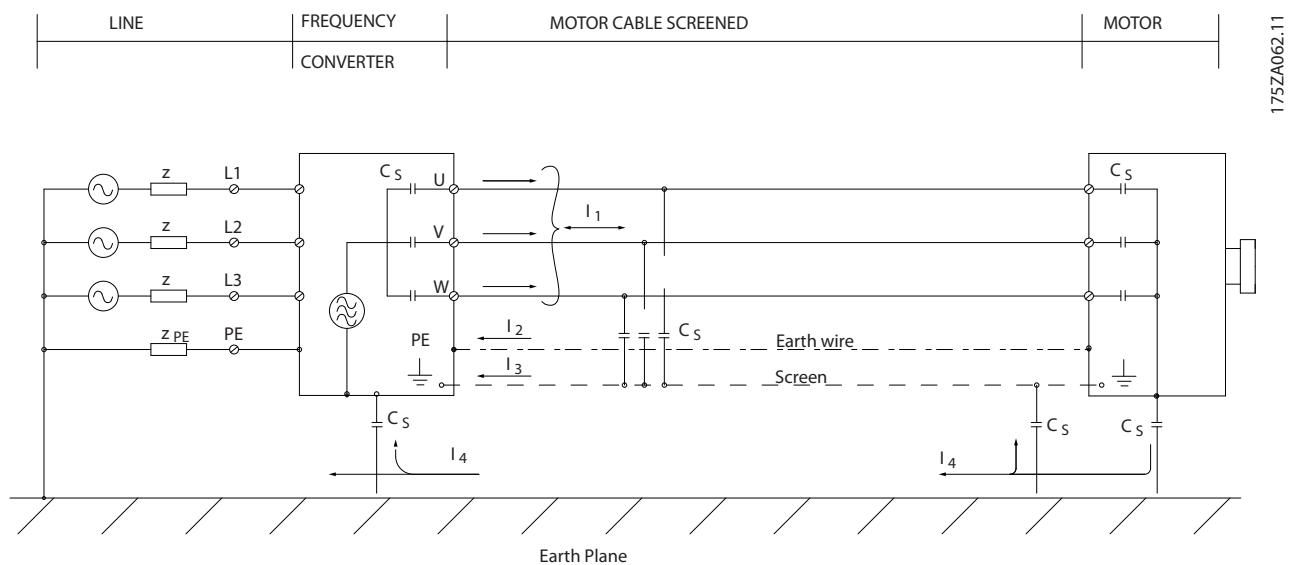


Illustration 3.5 Situation that Generates Leakage Currents

If the screen is to be placed on a mounting plate for the frequency converter, the mounting plate must be made of metal, because the screen currents have to be conveyed back to the unit. Moreover, ensure good electrical contact from the mounting plate through the mounting screws to the frequency converter chassis.

When unscreened cables are used, some emission requirements are not complied with, although the immunity requirements are observed.

In order to reduce the interference level from the entire system (unit+installation), make motor and brake cables as short as possible. Avoid placing cables with a sensitive signal level alongside motor and brake cables. Radio interference higher than 50 MHz (airborne) is especially

generated by the control electronics. See 6.8.4 *EMC-Correct Electrical Installation* for more information on EMC.

3.2.1 Emission Requirements

According to the EMC product standard for adjustable speed frequency converters EN/IEC 61800-3:2004 the EMC requirements depend on the intended use of the frequency converter. Four categories are defined in the EMC product standard. The definitions of the 4 categories together with the requirements for mains supply voltage conducted emissions are given in *Table 3.1*.

| Category | Definition | Conducted emission requirement according to the limits given in EN 55011 |
|----------|--|--|
| C1 | Frequency converters installed in the first environment (home and office) with a supply voltage less than 1000 V. | Class B |
| C2 | Frequency converters installed in the first environment (home and office) with a supply voltage less than 1000 V, which are neither plug-in nor movable and are intended to be installed and commissioned by a professional. | Class A Group 1 |
| C3 | Frequency converters installed in the second environment (industrial) with a supply voltage lower than 1000 V. | Class A Group 2 |
| C4 | Frequency converters installed in the second environment with a supply voltage equal to or above 1000 V or rated current equal to or above 400 A or intended for use in complex systems. | No limit line. An EMC plan should be made. |

Table 3.1 Emission Requirements

When the generic emission standards are used the frequency converters are required to comply with the following limits

| Environment | Generic standard | Conducted emission requirement according to the limits given in EN 55011 |
|---|---|--|
| First environment (home and office) | EN/IEC 61000-6-3 Emission standard for residential, commercial and light industrial environments. | Class B |
| Second environment (industrial environment) | EN/IEC 61000-6-4 Emission standard for industrial environments. | Class A Group 1 |

Table 3.2

3.2.2 EMC Test Results (Emission)

| Drive type | Conducted emission. Maximum shielded cable length [m] | | | | | | Radiated emission | | | |
|--|---|----------------------|-------------------------|----------------------|--------------------------------------|----------------------|-------------------------|----------------------|-------------------------|----------------------|
| | Industrial environment | | | | Housing, trades and light industries | | Industrial environment | | | |
| | EN 55011 Class A2 | | EN 55011 Class A1 | | EN 55011 Class B | | EN 55011 Class A2 | | EN 55011 Class A1 | |
| | Without external filter | With external filter | Without external filter | With external filter | Without external filter | With external filter | Without external filter | With external filter | Without external filter | With external filter |
| ≤2.2 kW. Single phase, 230 V | 25 | - | 15 | 50 | 5 | 15 | Yes | - | No | Yes |
| ≤7.5 kW. Up to 500 VAC, three phase | 25 | - | 15 | 50 | - | 15 | Yes | - | No | Yes |
| 11 kW to 22 kW. Up to 500 VAC, three phase | 25 | - | 15 | 50 | - | 15 | Yes | - | No | Yes |

Table 3.3 EMC Test Result

3.2.3 Harmonics Emission Requirements

Equipment connected to the public supply network



Cannot comply, only with power option

| Options | Definition |
|---------|---|
| 1 | IEC/EN 61000-3-2 Class A for 3-phase balanced equipment (for professional equipment only up to 1 kW total power). |
| 2 | IEC/EN 61000-3-12 Equipment 16 A-75 A and professional equipment as from 1 kW up to 16 A phase current. |

Table 3.4

3.2.4 Immunity Requirements

The immunity requirements for frequency converters depend on the environment where they are installed. The requirements for the industrial environment are higher than the requirements for the home and office environment. All Danfoss frequency converters comply with the requirements for the industrial environment and consequently comply also with the lower requirements for home and office environment with a large safety margin.

3.3 Galvanic Isolation (PELV)

3.3.1 PELV - Protective Extra Low Voltage

PELV offers protection by way of extra low voltage. Protection against electric shock is ensured when the electrical supply is of the PELV type and the installation is made as described in local/national regulations on PELV supplies.

All control terminals and relay terminals 01-03/04-06 comply with PELV (Protective Extra Low Voltage) (Does not apply to grounded Delta leg above 440 V).

Galvanic (ensured) isolation is obtained by fulfilling requirements for higher isolation and by providing the relevant creepage/clearance distances. These requirements are described in the EN 61800-5-1 standard.

The components that make up the electrical isolation, as described, also comply with the requirements for higher isolation and the relevant test as described in EN 61800-5-1.

The PELV galvanic isolation can be shown in *Illustration 3.7*.

To maintain PELV all connections made to the control terminals must be PELV, e.g. thermistor must be reinforced/double insulated.

0.25-22 kW

1. Power supply (SMPS)
2. Optocouplers, communication between AOC and BOC
3. Custom relays

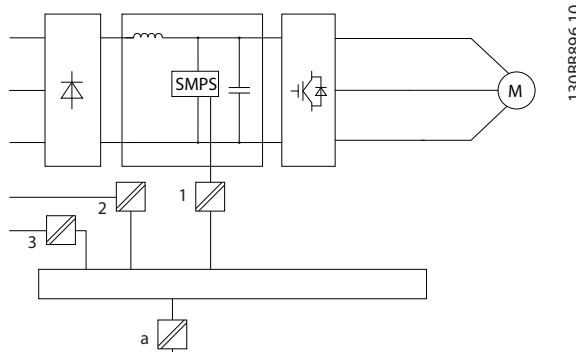


Illustration 3.6 Galvanic Isolation

30-90 kW

1. Power supply (SMPS) incl. signal isolation of UDC, indicating the intermediate current voltage.
2. Gate drive that runs the IGBTs (trigger transformers/opto-couplers).
3. Current transducers.
4. Internal soft-charge, RFI and temperature measurement circuits.
5. Custom relays.

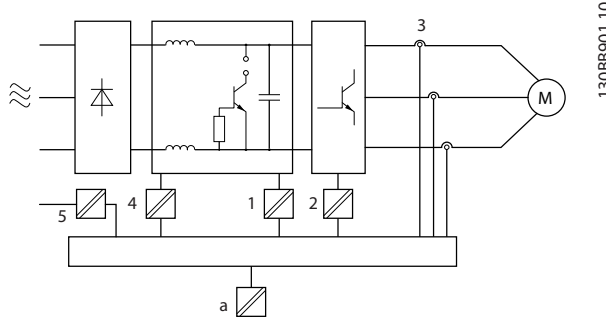


Illustration 3.7 Galvanic Isolation

The functional galvanic isolation (see *Illustration 3.6*) is for the RS-485 standard bus interface.

CAUTION

Installation at high altitude:
At altitudes above 2 km, contact Danfoss regarding PELV.

3.4 Earth Leakage Current

WARNING**DISCHARGE TIME**

Touching the electrical parts could be fatal - even after the equipment has been disconnected from mains.

Also make sure that other voltage inputs have been disconnected, such as load sharing (linkage of DC intermediate circuit), as well as the motor connection for kinetic back-up.

Before touching any electrical parts, wait at least the amount of time indicated in the *Table 2.1*.

Shorter time is allowed only if indicated on the nameplate for the specific unit.

NOTE**Leakage Current**

The earth leakage current from the frequency converter exceeds 3.5 mA. To ensure that the earth cable has a good mechanical connection to the earth connection, the cable cross section must be at least 10 mm² or 2 rated earth wires terminated separately.

Residual Current Device protection RCD

This product can cause a DC current in the protective conductor. Where a residual current device (RCD) is used for protection in case of direct or indirect contact, only an RCD of Type B is allowed on the supply side of this product. Otherwise, another protective measure shall be applied, such as separation from the environment by double or reinforced insulation, or isolation from the supply system by a transformer. See also Application Note *Protection against Electrical Hazards, MN90G*.

Protective earthing of the frequency converter and the use of RCDs must always follow national and local regulations.

3.5 Extreme Running Conditions

Short Circuit (Motor Phase – Phase)

Current measurement in each of the three motor phases or in the DC link, protects the frequency converter against short circuits. A short circuit between two output phases causes an overcurrent in the inverter. The inverter is turned off individually when the short circuit current exceeds the permitted value (Alarm 16 Trip Lock). To protect the frequency converter against a short circuit at the load sharing and brake outputs see the design guidelines.

Switching on the Output

Switching on the output between the motor and the frequency converter is fully permitted. The frequency converter is not damaged in any way by switching on the output. However, fault messages may appear.

Motor-generated Over-voltage

The voltage in the intermediate circuit is increased when the motor acts as a generator. This occurs in following cases:

1. The load drives the motor (at constant output frequency from the frequency converter), that is the load generates energy.
2. During deceleration ("ramp-down") if the moment of inertia is high, the friction is low and the ramp-down time is too short for the energy to be dissipated as a loss in the frequency converter, the motor and the installation.
3. Incorrect slip compensation setting (*1-62 Slip Compensation*) may cause higher DC link voltage.

The control unit may attempt to correct the ramp if possible (*2-17 Over-voltage Control*).

The inverter turns off to protect the transistors and the intermediate circuit capacitors when a certain voltage level is reached.

Mains Drop-out

During a mains drop-out, the frequency converter keeps running until the intermediate circuit voltage drops below the minimum stop level, which is typically 15% below the frequency converter's lowest rated supply voltage. The mains voltage before the drop-out and the motor load determines how long it takes for the inverter to coast.

3.5.1 Motor Thermal Protection

To protect the application from serious damages VLT® AutomationDrive offers several dedicated features

Torque Limit: The Torque limit feature the motor is protected for being overloaded independent of the speed. Torque limit is controlled in *4-16 Torque Limit Motor Mode* and or *4-17 Torque Limit Generator Mode* and the time before the torque limit warning shall trip is controlled in *14-25 Trip Delay at Torque Limit*.

Current Limit: The current limit is controlled in *4-18 Current Limit* and the time before the current limit warning shall trip is controlled in *14-24 Trip Delay at Current Limit*.

Min Speed Limit: (*4-11 Motor Speed Low Limit [RPM]* or *4-12 Motor Speed Low Limit [Hz]*) limit the operating speed range to for instance between 30 and 50/60Hz. **Max Speed Limit:** (*4-13 Motor Speed High Limit [RPM]* or *4-19 Max Output Frequency*) limit the max output speed the can provide

ETR (Electronic Thermal relay): The frequency converter ETR function measures actual current, speed and time to calculate motor temperature and protect the motor from being overheated (Warning or trip). An external thermistor input is also available. ETR is an electronic feature that simulates a bimetal relay based on internal measurements. The characteristic is shown in *Illustration 3.8*:

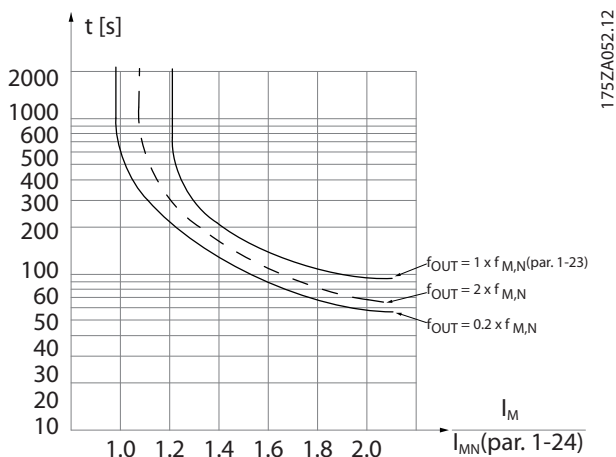


Illustration 3.8 ETR: The X-axis shows the ratio between I_{motor} and I_{motor} nominal. The Y-axis shows the time in seconds before the ETR cut of and trips the drive. The curves show the characteristic nominal speed, at twice the nominal speed and at 0,2 x the nominal speed.

At lower speed the ETR cuts of at lower heat due to less cooling of the motor. In that way the motor are protected from being over heated even at low speed. The ETR feature is calculating the motor temperature based on actual current and speed. The calculated temperature is visible as a read out parameter in 16-18 Motor Thermal in the FC 51 Micro Drive Programming Guide, MG02CX.

4 VLT® Micro Drive Selection

4.1 Options and Accessories

4.1.1 Local Control Panel (LCP)

For detailed information on programming, see *Programming Guide MG02C*.

NOTE

The frequency converter can also be programmed from a PC via RS-485 com-port by installing the MCT 10 Set-up Software.

This software can either be ordered using code number 130B1000 or downloaded from the DanfossWeb site: www.danfoss.com/BusinessAreas/DrivesSolutions/software-download

Operation Keys:

A yellow light above the operation keys indicates the active key.

[Hand on]: Starts the motor and enables control of the frequency converter via the LCP.

[Off/Reset]: Stops the motor (off). If in alarm mode the alarm will be reset.

[Auto on]: The frequency converter is controlled either via control terminals or serial communication.

[Potentiometer] (LCP 12): The potentiometer works in two ways depending on the mode in which the frequency converter is running.

In *Auto Mode* the potentiometer acts as an extra programmable analog input.

In *Hand on Mode* the potentiometer controls local reference.

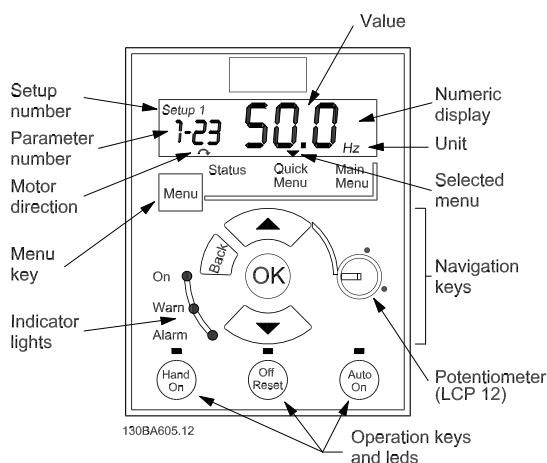


Illustration 4.1 Description of LCP Buttons and Display

The LCP can be moved to the front of a cabinet by using the remote build-in kit. The enclosure is the IP55.

| Enclosure | IP55 front |
|-------------------------------------|------------|
| Max. cable length between and unit: | 3 m |
| Communication std: | RS-485 |
| Ordering no. | 132B0102 |

Table 4.1 Technical Data

Use the [Menu] key to select one of the following menus:

Status:

For readouts only.

Quick Menu:

For access to Quick Menus 1 and 2, respectively.

Main Menu:

For access to all parameters.

Navigation Keys:

[Back]: For moving to the previous step or layer in the navigation structure.

Arrows [▲] [▼]: For maneuvering between parameter groups, parameters and within parameters.

[Ok]: For selecting a parameter and for accepting changes to parameter settings.

4.1.2 FC 51 Mounting Instruction

Step 1

Place the bottom of the LCP in the frequency converter.

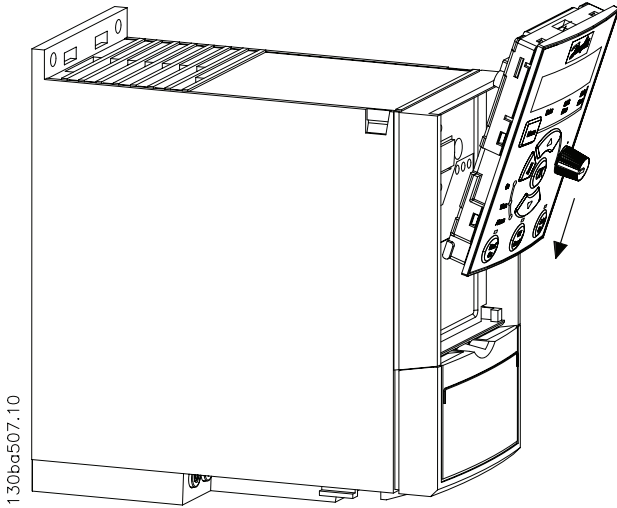


Illustration 4.2

Step 2

Push the top of the LCP into the frequency converter.

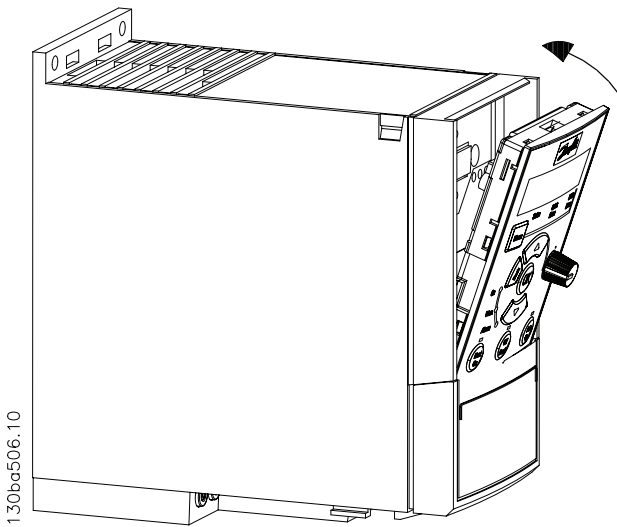


Illustration 4.3

4.1.3 FC 51 Remote Mounting Kit Mounting Instruction

Step 1

Fit gasket on LCP in the frequency converter.

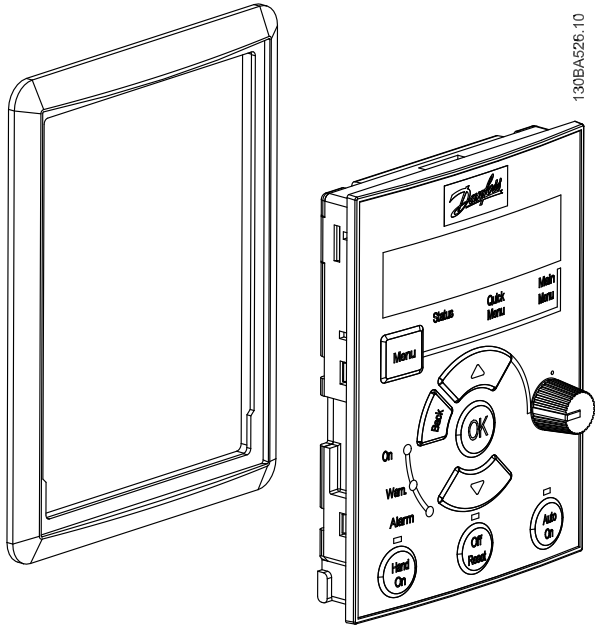


Illustration 4.4

Step 2

Place LCP on panel - see dimensions of hole on drawing.

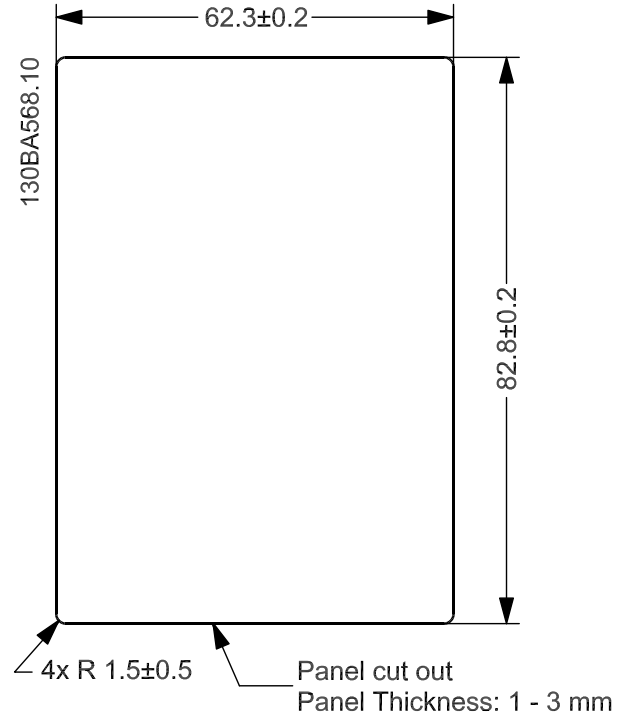


Illustration 4.5

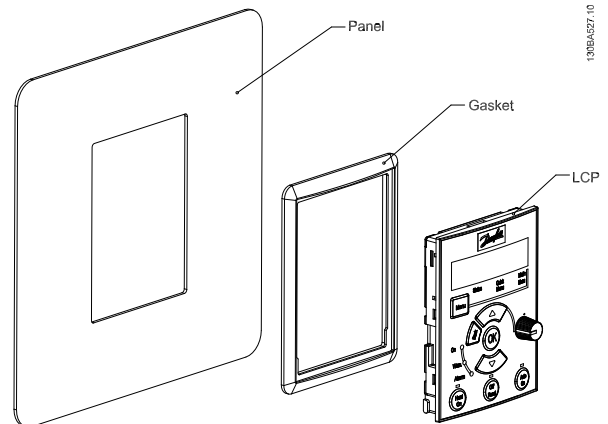


Illustration 4.6

Step 3

Place bracket on back of the LCP, then slide down. Tighten screws and connect cable to LCP.

NOTE

Use the provided thread cutting screws to fasten connector to LCP. Tightening torque: 1.3 Nm.

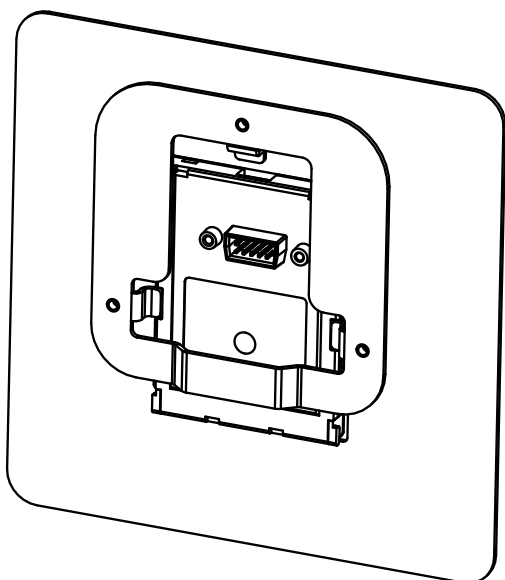


Illustration 4.7

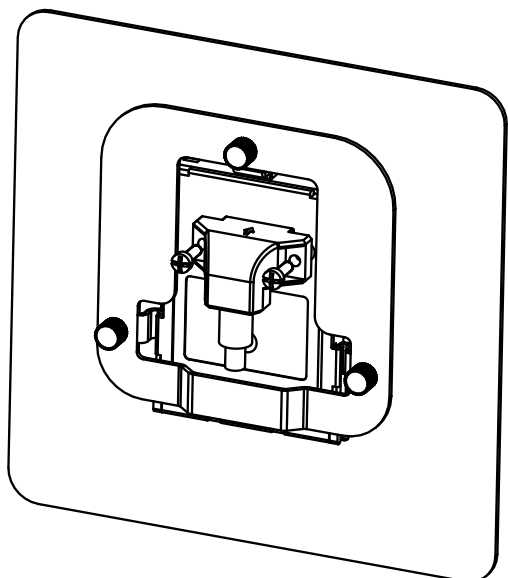


Illustration 4.8

130BA523.10

130BA524.10

Step 4

Connect cable to frequency converter.

NOTE

Use the provided thread cutting screws to fasten connector to the frequency converter. Tightening torque: 1.3 Nm.

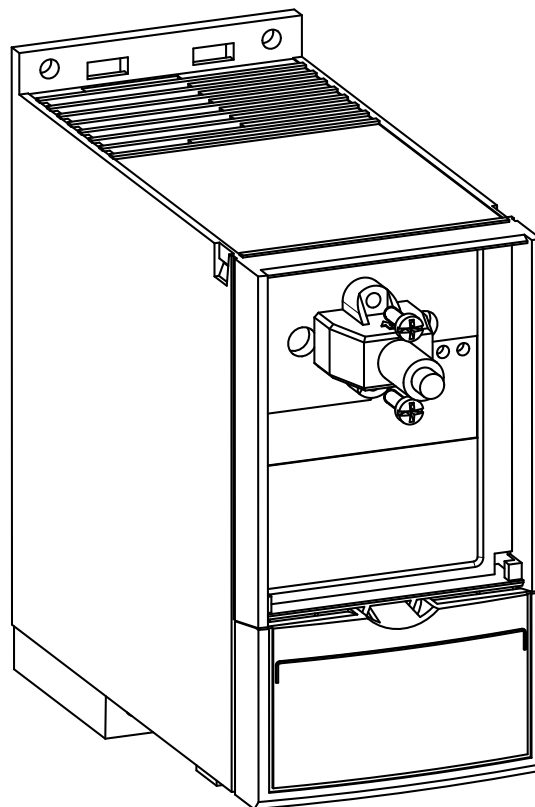


Illustration 4.9

130BA525.10

4.1.4 IP21/TYPE 1 Enclosure Kit

| Frame | IP class | Power [kW] | | | Height [mm] A | Width [mm] B | Depth [mm] C | Ordering no. |
|-------|----------|-------------|-------------|-------------|------------------|-----------------|-----------------|--------------|
| | | 1x200-240 V | 3x200-240 V | 3x380-480 V | | | | |
| M1 | IP21 | 0.18-0.75 | 0.25-0.75 | 0.37-0.75 | 219.3 | 73 | 155.9 | 132B0108 |
| M2 | IP21 | 1.5 | 1.25 | 1.5-2.2 | 245.6 | 78 | 175.4 | 132B0109 |
| M3 | IP21 | 2.2 | 2.2-3.7 | 3.0-7.5 | 297.5 | 95 | 201.4 | 132B0110 |
| M4 | IP21 | - | - | 11-15 | - | - | - | - |
| M5 | IP21 | - | - | 18.5-22 | - | - | - | - |

Table 4.2

4.1.5 Type 1 (NEMA)

| Frame | IP class | Power [kW] | | | Height [mm] A | Width [mm] B | Depth [mm] C | Ordering no. |
|-------|----------|-------------|-------------|-------------|------------------|-----------------|-----------------|--------------|
| | | 1x200-240 V | 3x200-240 V | 3x380-480 V | | | | |
| M1 | IP20 | 0.18-0.75 | 0.25-0.75 | 0.37-0.75 | 194.3 | 70.0 | 155.9 | 132B0103 |
| M2 | IP20 | 1.5 | 1.25 | 1.5-2.2 | 220.6 | 75.0 | 175.4 | 132B0104 |
| M3 | IP20 | 2.2 | 2.2-3.7 | 3.0-7.5 | 282.5 | 90.0 | 201.3 | 132B0105 |
| M4 | IP20 | - | - | 11-15 | 345.6 | 125.0 | 248.5 | 132B0120 |
| M5 | IP20 | - | - | 18.5-22 | 385.5 | 165.0 | 248.2 | 132B0121 |

Table 4.3

4.1.6 De-Coupling

| Frame | IP class | Power [kW] | | | Height [mm] A | Width [mm] B | Depth [mm] C | Ordering no. |
|-------|----------|-------------|-------------|-------------|------------------|-----------------|-----------------|--------------|
| | | 1x200-240 V | 3x200-240 V | 3x380-480 V | | | | |
| M1 | IP20 | 0.18-0.75 | 0.25-0.75 | 0.37-0.75 | 204.2 | 70.0 | 155.9 | 132B0106 |
| M2 | IP20 | 1.5 | 1.25 | 1.5-2.2 | 230.0 | 75.0 | 175.4 | 132B0106 |
| M3 | IP20 | 2.2 | 2.2-3.7 | 3.0-7.5 | 218.5 | 90.0 | 201.3 | 132B0107 |
| M4 | IP20 | - | - | 11-15 | 347.5 | 125.0 | 248.5 | 132B0122 |
| M5 | IP20 | - | - | 18.5-22 | 387.5 | 165.0 | 248.2 | 132B0122 |

Table 4.4

4.1.7 FC 51 Type 1 Kit Mounting Instruction for M1, M2 and M3

Step 1

Mount metal plate on frequency converter and tighten the screws. Tightening torque: 2 Nm.

| | |
|----|-----------|
| M1 | 4 x 1/2" |
| M2 | 5 x 1/2 " |
| M3 | 2 x 1/2" |
| | 3 x 3/4" |

Table 4.5 Conduit Sizes

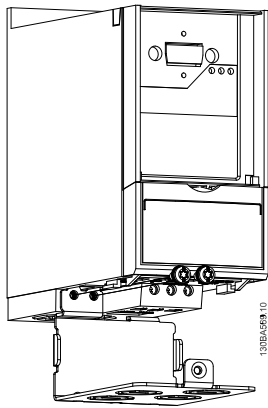


Illustration 4.10

Step 2

Fit bottom cover on frequency converter and tighten screw.

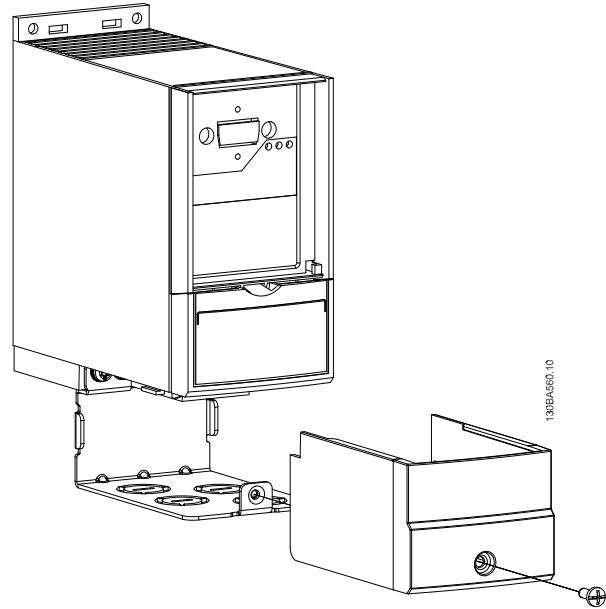


Illustration 4.11

4.1.8 FC 51 Type 1 Kit Mounting Instruction for M4 and M5

Step 1

Mount metal plate on frequency converter and tighten the screws. Tightening torque: 2 Nm.

| | |
|----|--------|
| M4 | 3x1/2" |
| M5 | 3x1" |

Table 4.6 Conduit Sizes

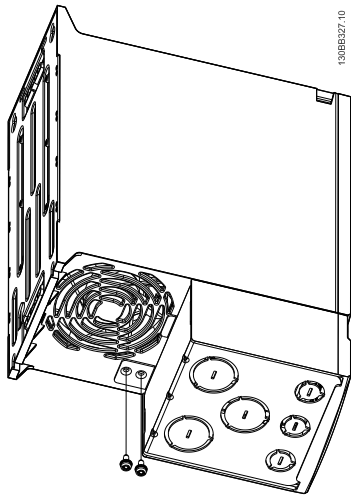


Illustration 4.12

Step 2

Fit bottom cover on frequency converter and tighten screw.

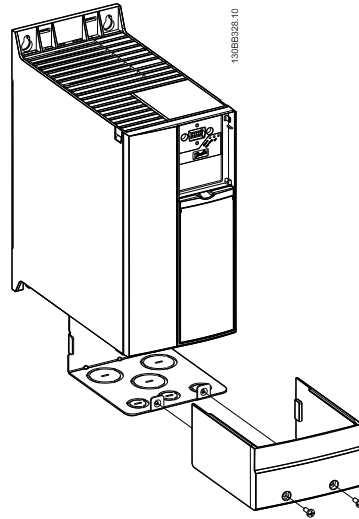


Illustration 4.13

4.1.9 FC 51 IP21 Kit Mounting Instruction

Step 1

Fit top cover on frequency converter.

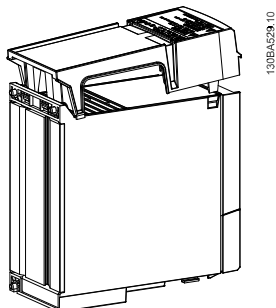


Illustration 4.14

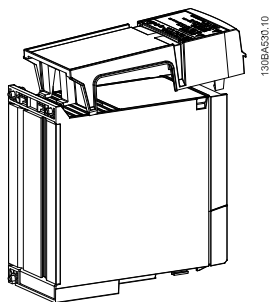


Illustration 4.15

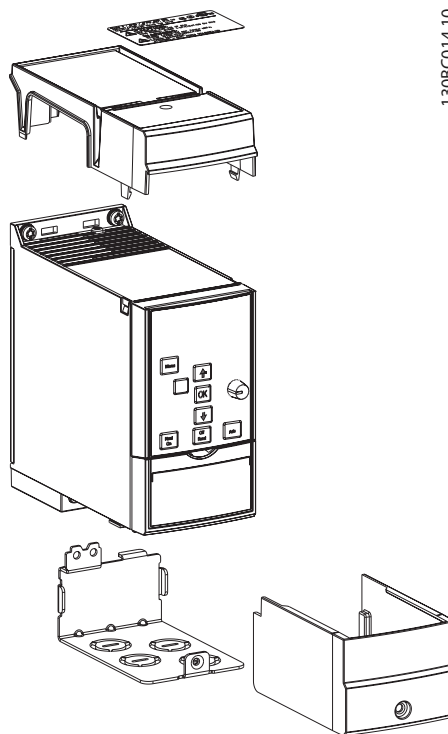


Illustration 4.16

Step 2

Remove knockouts on metal plate and fit rubber grommets.

Step 3

Mount metal plate on frequency converter and tighten screws. Tightening torque: 2 Nm.

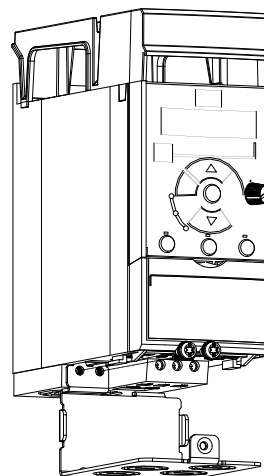


Illustration 4.17

Step 4

Fit bottom cover on frequency converter and tighten screw.

NOTE

IP21 is only achieved with LCP 11 or LCP 12 mounted.

4

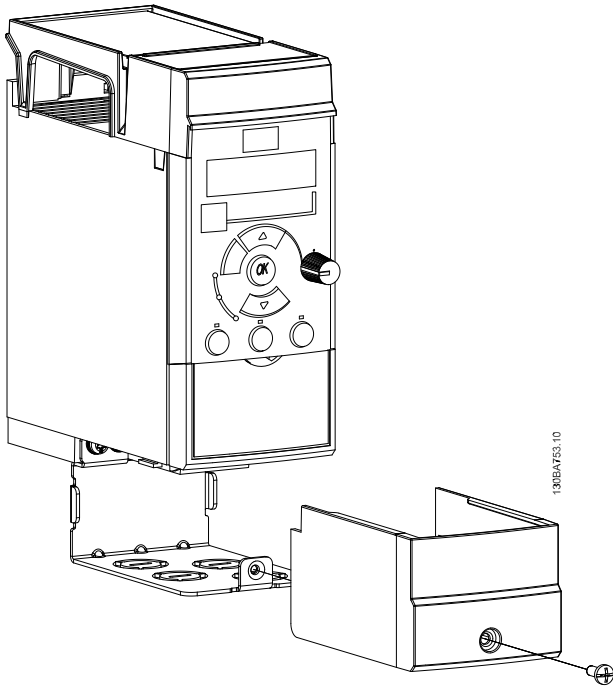


Illustration 4.18

4.1.10 FC 51 De-coupling Plate Mounting Instruction for M1 and M2

Step 1

Mount metal plate on frequency converter and fasten with two screws. Tightening torque: 2 Nm.

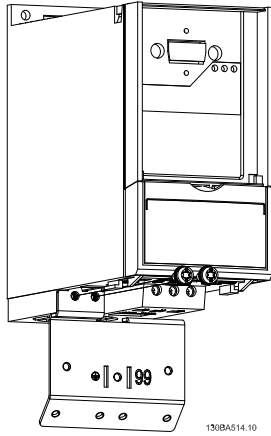


Illustration 4.19

Step 3

VLT® Micro frequency converter FC 51 mounted with de-coupling plate.

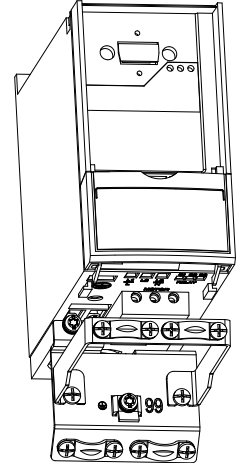


Illustration 4.21

Step 2

Mount bracket on de-coupling plate.

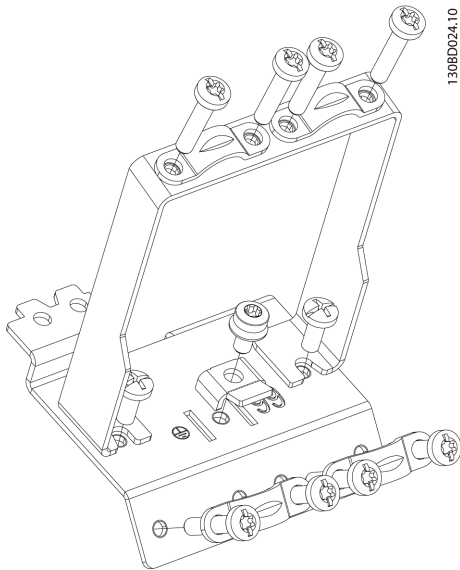


Illustration 4.20

4.1.11 FC 51 De-coupling Plate Mounting Instruction for M3

Step 1

Mount de-coupling plate on frequency converter and fasten with two screws. Tightening torque: 2 Nm.

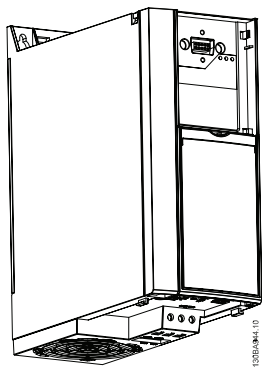


Illustration 4.22

Step 2

VLT® Micro frequency converter FC 51 mounted with de-coupling plate.

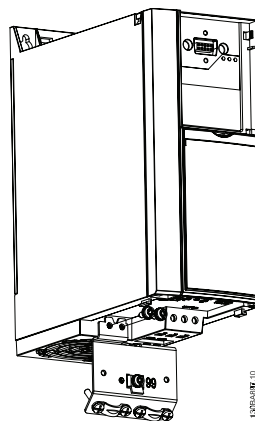


Illustration 4.24

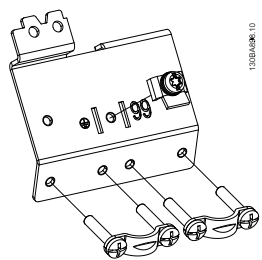


Illustration 4.23

4.1.12 FC 51 De-coupling Plate Mounting Instruction for M4 and M5

Step 1

Mount metal plate on and fasten with two screws.
Tightening torque: 2 Nm.

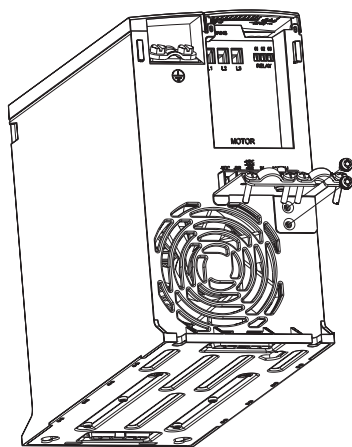


Illustration 4.25

Step 3

Mount bracket on de-coupling plate.

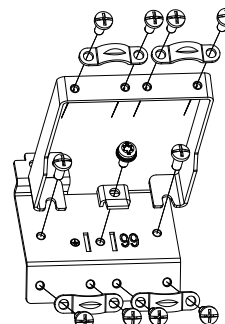


Illustration 4.27

Step 2

VLT® Micro frequency converter FC 51 mounted with de-coupling plate.

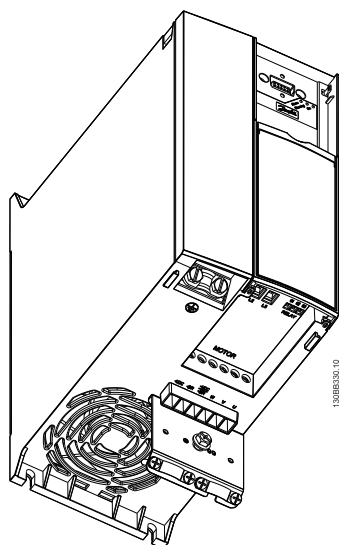


Illustration 4.26

4.1.13 FC 51 DIN Rail Kit Mounting Instruction

Step 1

Mount plastic part on frequency converter.

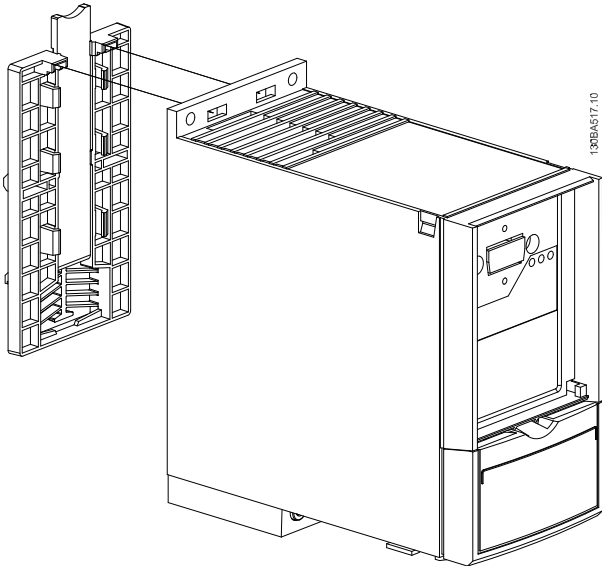


Illustration 4.28

Step 2

Fit frequency converter on DIN rail (Din Rail kit is only for M1 and M2).

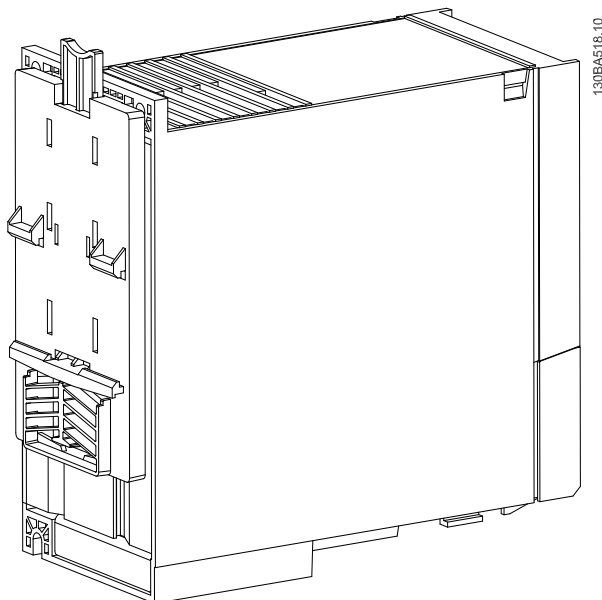


Illustration 4.29

4.1.14 Line Filter MCC 107 Installation Instructions

Line Filters of the type MCC 107 combine a harmonic filter and an EMC filter. The line filters improve performance of the line current to the VLT® Micro Drive FC 51. The three different Line Filter frame sizes correspond to the M1, M2 and M3 Micro Drives.

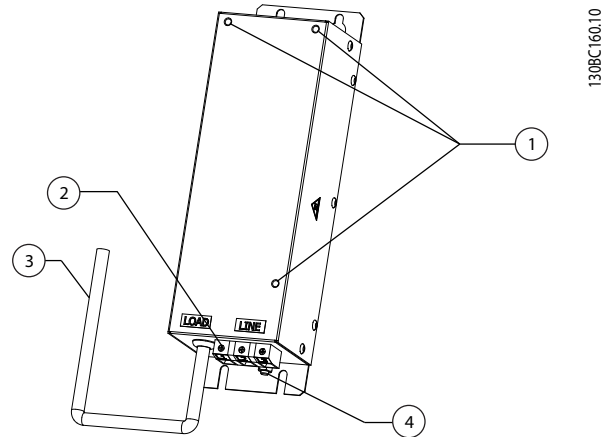


Illustration 4.30 Line Filter MCC 107 with Micro Drive FC 51

| | |
|---|--|
| 1 | Mounting holes for frequency converter |
| 2 | Input terminal |
| 3 | Output line |
| 4 | Protective earth (PE) |

Table 4.7

CAUTION

Hot surfaces

Risk of high surface temperatures.

- Do NOT touch the Line Filter during operation or wear protective gloves

WARNING

High voltage

Risk of electric shock.

- Never carry out maintenance work on the Line Filter during operation. Wait at least 4 minutes after the equipment has been disconnected from the frequency converter before touching any potentially live parts.

NOTE

- Never repair a defective filter

4.1.15 Mounting

There are two options for mounting the Line Filter correctly:

1. Front mounting

- Mount the filter in a vertical position with the terminals at the bottom.
- Mount the frequency converter on the front of the Line Filter using 3 M4 bolts.

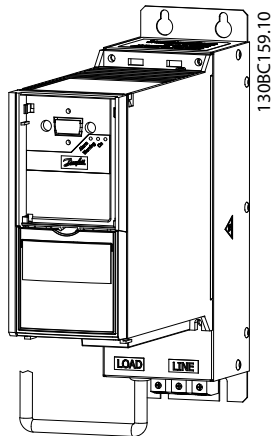


Illustration 4.31 Line Filter with Frequency Converter

- Ensure metal-to-metal contact between filter and frequency converter.

NOTE

Metal-to-metal contact improves EMC performance and enables the baseplate of the frequency converter to function as heatsink for the Line Filter

2. Side mounting

- Mount the filter side-by-side with the frequency converter. There is no requirement for spacing between filter and frequency converter.
- Mount the back of the Line Filter to a cooling surface, such as a metal wall. Alternatively, derate the Line Filter by one size: For example use a 0.75 kW Line Filter with a 0.37 kW Micro Drive.

CAUTION

High temperatures

Risk of fire or device damage

- Do not mount the Line Filter in close proximity to other heating elements or heat-sensitive material (such as wood).

4.1.16 Wiring

WARNING

Risk of electrical shock due to high leakage currents

- Do not power up the Line Filter before it is connected to protective earth (PE)

1. Connect Line Filter to protective earth (PE). Use a cabinet mounting panel or similar to achieve optimum earthing conditions.
2. Connect input terminal to mains power (cable not supplied)
3. Connect output cable to the input terminals of the frequency converter
4. Ensure solid electrical contact between Line Filter and frequency converter (high frequency earthing)

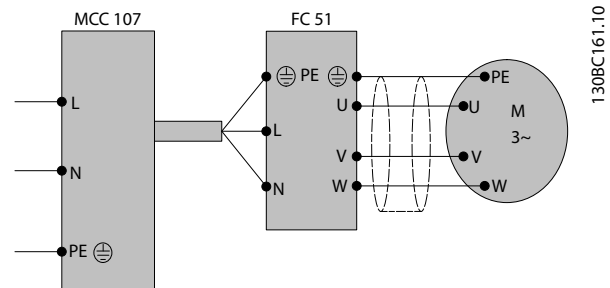


Illustration 4.32 Line 1

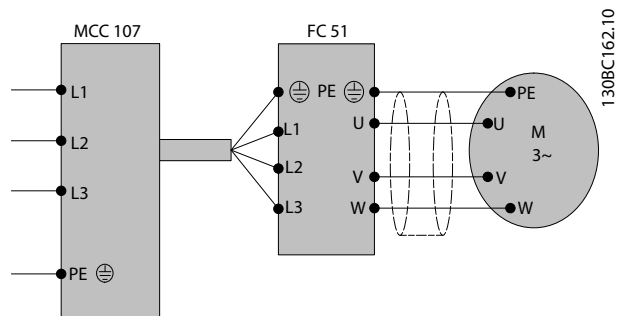


Illustration 4.33 Line 2

4.2 Special Conditions

4.2.1 Purpose of Derating

Purpose of derating must be taken into account when using the frequency converter at low air pressure (heights), at low speeds, with long motor cables, cables with a large cross section or at high ambient temperature. The required action is described in this section.

4.2.2 Derating for Ambient Temperature

Derating for ambient temperature and IGBT Switching.

The ambient temperature measured over 24 hours should be at least 5 °C lower than the max. ambient temperature. If the frequency converter is operated at high ambient temperature, the continuous output current should be decreased. The frequency converter has been designed for operation at max. 50 °C ambient temperature with one motor size smaller than nominal. Continuous operation at full load at 50 °C ambient temperature reduces the lifetime of the frequency converter.

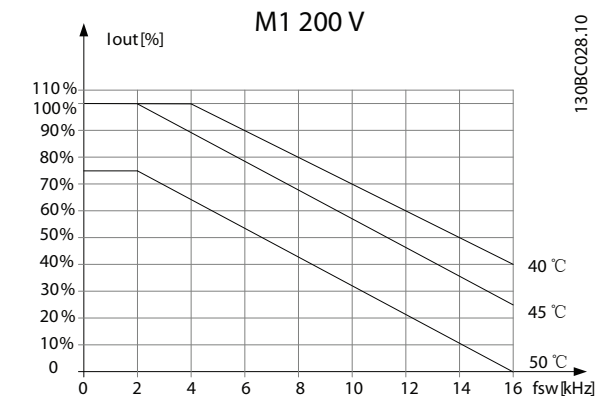


Illustration 4.35

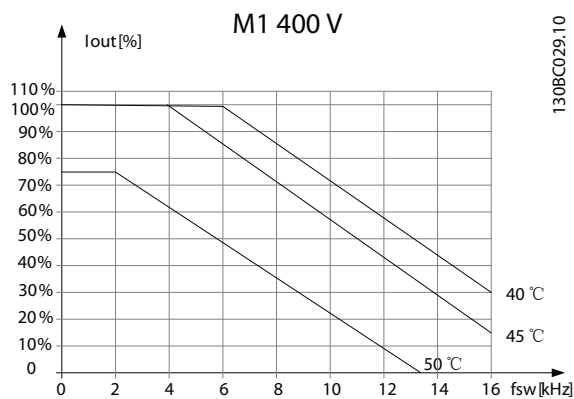


Illustration 4.36

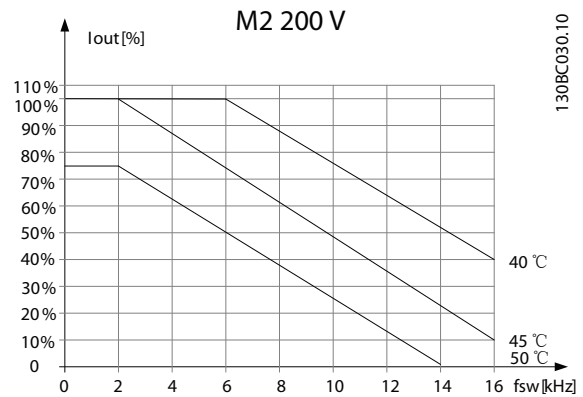


Illustration 4.37

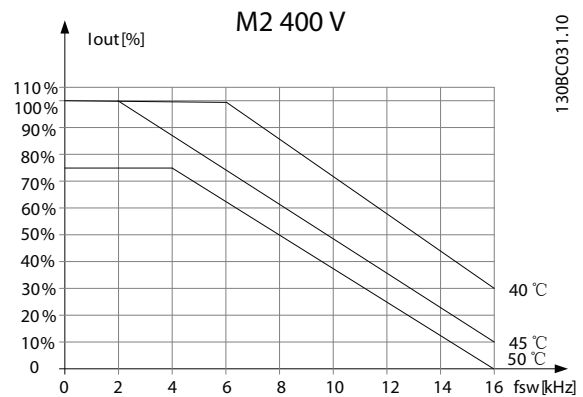


Illustration 4.38

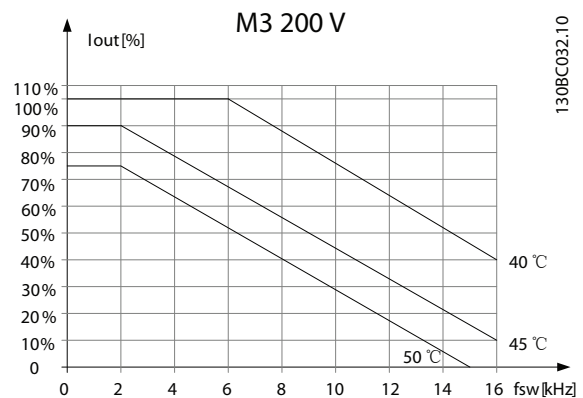


Illustration 4.39

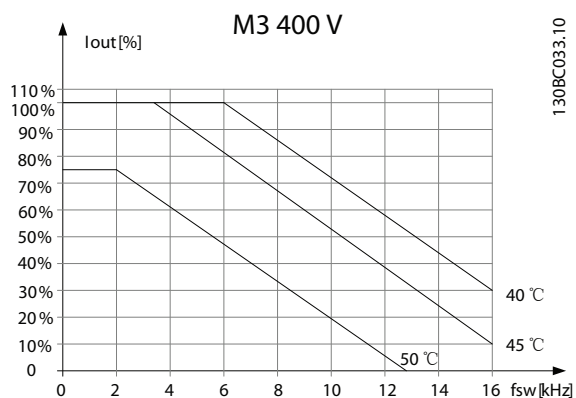


Illustration 4.40

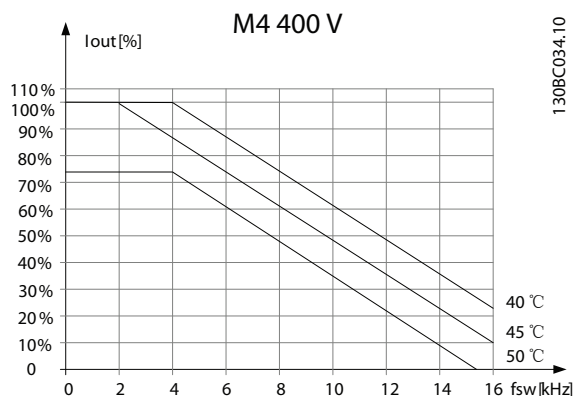


Illustration 4.41

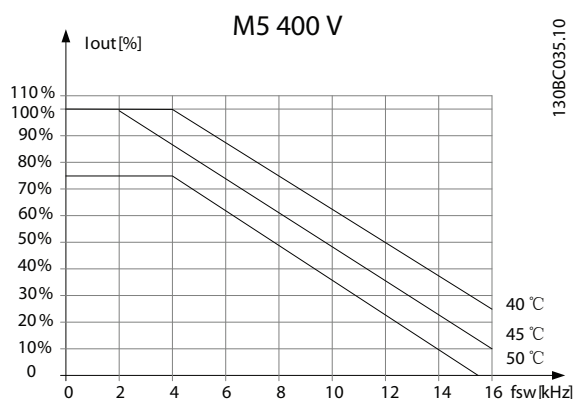


Illustration 4.42

4.2.3 Derating for Low Air Pressure

The cooling capability of air is decreased at low air pressure.

For altitudes above 2000 m, contact Danfoss regarding PELV.

Below 1000 m altitude no de-rating is necessary but above 1000 m the ambient temperature or the maximum output current should be decreased.

Decrease the output by 1% per 100 m altitude above 1000 m or reduce the max. ambient temperature by 1 degree per 200 m.

4.2.4 Automatic Adaptations to Ensure Performance

The frequency converter constantly checks for critical levels of internal temperature, load current, high voltage on the intermediate circuit and low motor speeds. As a response to a critical level, the frequency converter can adjust the switching frequency and/or change the switching pattern in order to ensure the performance of the frequency converter. The capability automatically to reduce the output current extends the acceptable operating conditions even further.

4.2.5 Derating for Running at Low Speed

When a motor is connected to a frequency converter, it is necessary to check that the cooling of the motor is adequate. The level of heating depends on the load on the motor, as well as the operating speed and time.

Constant torque applications (CT mode)

A problem may occur at low RPM values in constant torque applications. In a constant torque application a motor may over-heat at low speeds due to less cooling air from the motor integral fan.

Therefore, if the motor is to be run continuously at an RPM value lower than half of the rated value, the motor must be supplied with additional air-cooling (or a motor designed for this type of operation may be used).

An alternative is to reduce the load level of the motor by choosing a larger motor. However, the design of the frequency converter puts a limit to the motor size.

5 How to Order

5.1 Drive Configurator

It is possible to design a frequency converter according to the application requirements by using the ordering number system.

Frequency converters can be ordered as standard or with internal options by using a type code string, that is,

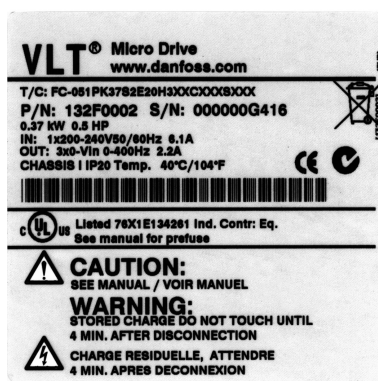
FC051PXXXXXXXXHXXXXXXXXSXXX

Use the Internet-based Drive Configurator to configure the right frequency converter for the right application and generate the type code string. The Drive Configurator automatically generates an eight-digit sales number (either for one product or a project list with several products) to be delivered to your local sales office.

The Drive Configurator can be found on: www.danfoss.com/drives.

5.2.1 FC Identification

The nameplate sticker is located on the top of each frequency converter and shows the ratings, serial number, warnings catalog number, and other relevant data for each unit. See for details, how to read the type code string.



130BA505

Illustration 5.1 This Example Shows the Nameplate Sticker

5.3.1 Type Code

| | | | | | | | | | | | | | | | | | | | | | | | | | | | |
|-------------|---|---|---|----|---|---|---|---|----|----|----|----|----|----|----|----|----|----|----|----|----|----|----|----|----|----|---|
| 1 | 2 | 3 | 4 | 5 | 6 | 7 | 8 | 9 | 10 | 11 | 12 | 13 | 14 | 15 | 16 | 17 | 18 | 19 | 20 | 21 | 22 | 23 | 24 | 25 | 26 | 27 | |
| | | | | FC | - | 0 | 5 | 1 | P | | | | | | | H | | | | | X | X | X | S | X | X | X |
| 130BA589.10 | | | | | | | | | | | | | | | | | | | | | | | | | | | |

Table 5.1

| Description | Pos | Possible choice |
|-------------------------|-------|--|
| Product group | 1-3 | Adjustable Frequency Converters |
| Series and product type | 4-6 | Micro Drive |
| Power size | 7-10 | 0.18-22 kW |
| Mains voltage | 11-12 | S2: Single phase 200-240 V AC T 2: Three phase 200-240 V AC T 4: Three phase 380-480 V AC |
| Enclosure | 13-15 | IP20/Chassis |
| RFI filter | 16-17 | HX: No RFI filter H1: RFI filter class A1/B H3:RFI filter A1/B (reduced cable length*) |
| Brake | 18 | B: Brake chopper included (from 1.5 kW and up) X: No brake chopper included |
| Display | 19 | X: No Local Control Panel N: Numerical Local Control Panel (LCP) P: Numerical Local Control Panel (LCP) with potentiometer |
| Coating PCB | 20 | C: Coated PCB X. No coated PCB |
| Mains option | 21 | X: No mains option |
| Adaptation A | 22 | X: No adaptation |
| Adaptation B | 23 | X: No adaptation |
| Software release | 24-27 | SXXX: Latest release - std. software |

Table 5.2 Type Code Description

5.4.1 Ordering Numbers

| Power [kW] | 200-240 V | | | 380-480 V | |
|------------|---|-----------|-----------|------------------|-----------|
| | Current [I-nom.] | 1 ph. | 3 ph. | Current [I-nom.] | 3 ph. |
| 0.18 | 1.2 | 132F 0001 | | | |
| 0.25 | 1.5 | | 132F 0008 | | |
| 0.37 | 2.2 | 132F 0002 | 132F 0009 | 1.2 | 132F 0017 |
| 0.75 | 4.2 | 132F 0003 | 132F0010 | 2.2 | 132F 0018 |
| 1.5 | 6.8 | 132F 0005 | 132F0012 | 3.7 | 132F 0020 |
| 2.2 | 9.6 | 132F 0007 | 132F0014 | 5.3 | 132F 0022 |
| 3.0 | | | | 7.2 | 132F 0024 |
| 3.7 | 15.2 | | 132F 0016 | | |
| 4.0 | Micro drives from 1.5 kW and up have built in brake chopper | | | 9.0 | 132F 0026 |
| 5.5 | | | | 12.0 | 132F 0028 |
| 7.5 | | | | 15.5 | 132F 0030 |
| 11.0 | | | | 23.0 | 132F 0058 |
| 15.0 | | | | 31.0 | 132F 0059 |
| 18.5 | | | | 37.0 | 132F 0060 |
| 22.0 | | | | 43.0 | 132F 0061 |

5

Table 5.3

5.5.1 Options for VLT Micro Drive

| Ordering No | Description |
|-------------|--|
| 132B0100 | VLT Control Panel LCP 11 w/o potentiometer |
| 132B0101 | VLT Control Panel LCP 12 w/o potentiometer |
| 132B0102 | Remote Mounting Kit for LCP incl. 3 m cable IP55 with LCP 11, IP21 with LCP 12 |
| 132B0103 | Nema Type 1 kit for M1 frame |
| 132B0104 | Type 1 kit for M2 frame |
| 132B0105 | Type 1 kit for M3 frame |
| 132B0106 | De-coupling plate kit for M1 and M2 frames |
| 132B0107 | De-coupling plate kit for M3 frame |
| 132B0108 | IP21 for M1 frame |
| 132B0109 | IP21 for M2 frame |
| 132B0110 | IP21 for M3 frame |
| 132B0111 | DIN rail mounting kit for M1 and M2 frame |
| 132B0120 | Type 1 kit for M4 frame |
| 132B0121 | Type 1 kit for M5 frame |
| 132B0122 | De-coupling plate kit for M4 and M5 frames |
| 130B2522 | Line Filter MCC 107 for 132F0001 |
| 130B2522 | Line Filter MCC 107 for 132F0002 |
| 130B2533 | Line Filter MCC 107 for 132F0003 |
| 130B2525 | Line Filter MCC 107 for 132F0005 |
| 130B2530 | Line Filter MCC 107 for 132F0007 |
| 130B2523 | Line Filter MCC 107 for 132F0008 |
| 130B2523 | Line Filter MCC 107 for 132F0009 |
| 130B2523 | Line Filter MCC 107 for 132F0010 |
| 130B2526 | Line Filter MCC 107 for 132F0012 |
| 130B2531 | Line Filter MCC 107 for 132F0014 |
| 130B2527 | Line Filter MCC 107 for 132F0016 |
| 130B2523 | Line Filter MCC 107 for 132F0017 |
| 130B2523 | Line Filter MCC 107 for 132F0018 |
| 130B2524 | Line Filter MCC 107 for 132F0020 |

| Ordering No | Description |
|-------------|----------------------------------|
| 130B2526 | Line Filter MCC 107 for 132F0022 |
| 130B2529 | Line Filter MCC 107 for 132F0024 |
| 130B2531 | Line Filter MCC 107 for 132F0026 |
| 130B2528 | Line Filter MCC 107 for 132F0028 |
| 130B2527 | Line Filter MCC 107 for 132F0030 |

Table 5.4

NOTE

Danfoss Line Filters and brake resistors are available upon request.

6 How to Install

6.1 Before Starting

6.1.1 Checklist

When unpacking the frequency converter, make sure that the unit is undamaged and complete. Check that the packaging contains the following:

- VLT® Micro Drive FC 51
- Quick Guide

Optional: LCP and/or de-coupling plate.

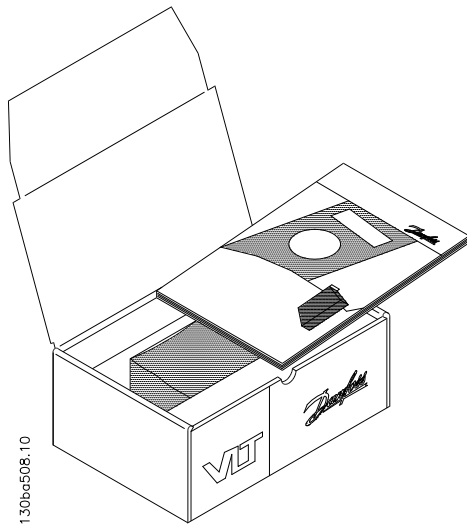


Illustration 6.1 Content of box

6.2 Side-by-Side Installation

The frequency converter can be mounted side-by-side for IP 20 rating units and requires 100 mm clearance above and below for cooling. Regarding surroundings in general, see 7 Programming.

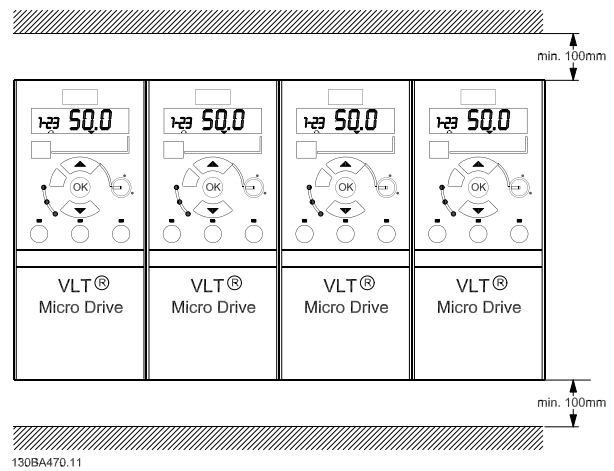


Illustration 6.2 Side-by-side Installation

6.3 Before Commencing Repair Work

1. Disconnect FC 51 from mains (and external DC supply, if present.)
2. Wait for 4 min (M1, M2 and M3) and 15 min (M4 and M5) for discharge of the DC-link. See Table 2.1.
3. Disconnect DC bus terminals and brake terminals (if present).
4. Remove motor cable.

6.4 Mechanical Dimensions

A template for drilling can be found on the flap of the packaging.

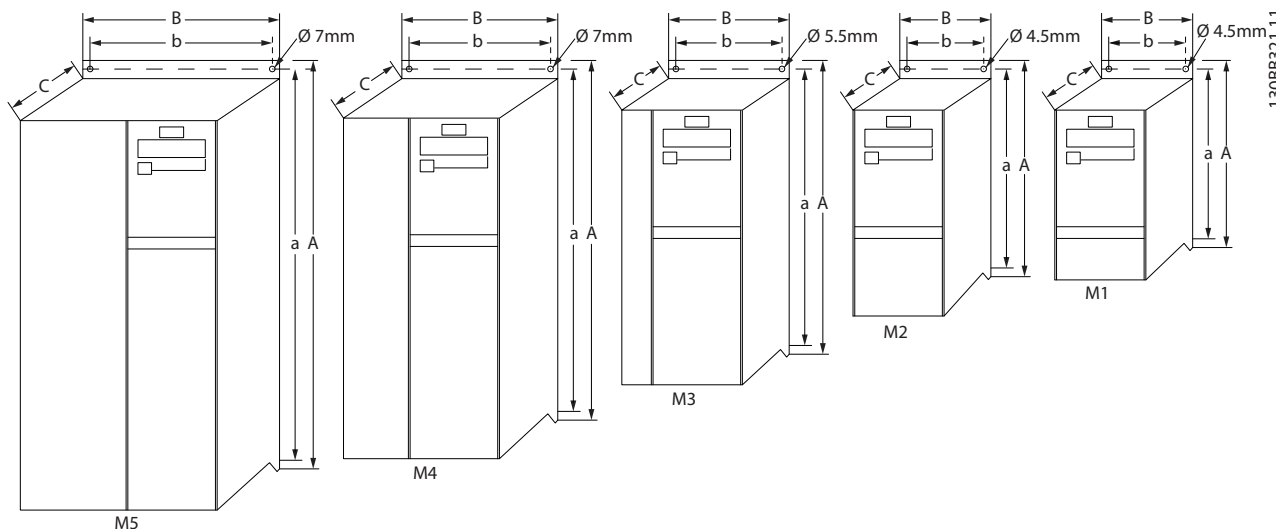


Illustration 6.3 Mechanical Dimensions

| Frame | Power [kW] | | | Height [mm] | | | Width [mm] | | Depth ¹⁾ [mm] | Max. Weight [kg] |
|-------|-------------|-------------|-------------|-------------|----------------------------|-------|------------|-----|--------------------------|------------------|
| | 1X200-240 V | 3X200-240 V | 3X380-480 V | A | A (incl. decoupling plate) | a | B | b | | |
| M1 | 0.18-0.75 | 0.25-0.75 | 0.37-0.75 | 150 | 205 | 140.4 | 70 | 55 | 148 | 1.1 |
| M2 | 1.5 | 1.5 | 1.5-2.2 | 176 | 230 | 166.4 | 75 | 59 | 168 | 1.6 |
| M3 | 2.2 | 2.2-3.7 | 3.0-7.5 | 239 | 294 | 226 | 90 | 69 | 194 | 3.0 |
| M4 | | | 11.0-15.0 | 292 | 347.5 | 272.4 | 125 | 97 | 241 | 6.0 |
| M5 | | | 18.5-22.0 | 335 | 387.5 | 315 | 165 | 140 | 248 | 9.5 |

¹⁾ For LCP with potentiometer, add 7.6 mm.

Table 6.1 Mechanical Dimensions

6.5 Electrical Installation in General

NOTE

All cabling must comply with national and local regulations on cable cross-sections and ambient temperature. Copper conductors required, (60-75 °C) recommended.

| Frame | Power [kW] | | | Torque [Nm] | | | | | |
|-------|-------------|-------------|-------------|-------------|-------|---------------------|-------------------|-------|-------|
| | 1x200-240 V | 3x200-240 V | 3x380-480 V | Line | Motor | DC connection/Brake | Control Terminals | Earth | Relay |
| M1 | 0.18-0.75 | 0.25-0.75 | 0.37-0.75 | 1.4 | 0.7 | Spade ¹⁾ | 0.15 | 3 | 0.5 |
| M2 | 1.5 | 1.5 | 1.5-2.2 | 1.4 | 0.7 | Spade ¹⁾ | 0.15 | 3 | 0.5 |
| M3 | 2.2 | 2.2-3.7 | 3.0-7.5 | 1.4 | 0.7 | Spade ¹⁾ | 0.15 | 3 | 0.5 |
| M4 | | | 11.0-15.0 | 1.3 | 1.3 | 1.3 | 0.15 | 3 | 0.5 |
| M5 | | | 18.5-22.0 | 1.3 | 1.3 | 1.3 | 0.15 | 3 | 0.5 |

¹⁾ Spade connectors (6.3 mm Faston plugs)

Table 6.2 Tightening of Terminals

6.6 Fuses

Branch circuit protection

To protect the installation against electrical and fire hazard, all branch circuits in an installation, switch gear, machines etc., must be short-circuited and overcurrent protected according to national/international regulations.

Short circuit protection

Danfoss recommends using the fuses mentioned in the following tables to protect service personnel or other equipment in case of an internal failure in the unit or short-circuit on DC-link. The frequency converter provides full short circuit protection in case of a short-circuit on the motor or brake output.

Overcurrent protection

Provide overload protection to avoid overheating of the cables in the installation. Overcurrent protection must always be carried out according to national regulations. Fuses must be designed for protection in a circuit capable of supplying a maximum of 100,000 A_{rms} (symmetrical), 480 V maximum.

Non UL compliance

If UL/cUL is not to be complied with, Danfoss recommends using the fuses mentioned in *Table 6.3*, which ensures compliance with EN50178/IEC61800-5-1:

In case of malfunction, not following the fuse recommendation may result in damage to the frequency converter and the installation.

6

| FC 51 | Max. Fuses UL | | | | | | Max. fuses non UL |
|--------------------|---------------|----------|----------|-------------|----------------|----------------|-------------------|
| | Bussmann | Bussmann | Bussmann | Littel fuse | Ferraz-Shawmut | Ferraz-Shawmut | |
| 1X200-240 V | | | | | | | |
| kW | Type RK1 | Type J | Type T | Type RK1 | Type CC | Type RK1 | Type gG |
| 0K18-0K37 | KTN-R15 | JKS-15 | JJN-15 | KLN-R15 | ATM-R15 | A2K-15R | 16A |
| 0K75 | KTN-R25 | JKS-25 | JJN-25 | KLN-R25 | ATM-R25 | A2K-25R | 25A |
| 1K5 | KTN-R35 | JKS-35 | JJN-35 | KLN-R35 | - | A2K-35R | 35A |
| 2K2 | KTN-R50 | JKS-50 | JJN-50 | KLN-R50 | - | A2K-50R | 50A |
| 3x200-240 V | | | | | | | |
| 0K25 | KTN-R10 | JKS-10 | JJN-10 | KLN-R10 | ATM-R10 | A2K-10R | 10A |
| 0K37 | KTN-R15 | JKS-15 | JJN-15 | KLN-R15 | ATM-R15 | A2K-15R | 16A |
| 0K75 | KTN-R20 | JKS-20 | JJN-20 | KLN-R20 | ATM-R20 | A2K-20R | 20A |
| 1K5 | KTN-R25 | JKS-25 | JJN-25 | KLN-R25 | ATM-R25 | A2K-25R | 25A |
| 2K2 | KTN-R40 | JKS-40 | JJN-40 | KLN-R40 | ATM-R40 | A2K-40R | 40A |
| 3K7 | KTN-R40 | JKS-40 | JJN-40 | KLN-R40 | - | A2K-40R | 40A |
| 3x380-480 V | | | | | | | |
| 0K37-0K75 | KTS-R10 | JKS-10 | JJS-10 | KLS-R10 | ATM-R10 | A6K-10R | 10A |
| 1K5 | KTS-R15 | JKS-15 | JJS-15 | KLS-R15 | ATM-R15 | A2K-15R | 16A |
| 2K2 | KTS-R20 | JKS-20 | JJS-20 | KLS-R20 | ATM-R20 | A6K-20R | 20A |
| 3K0 | KTS-R40 | JKS-40 | JJS-40 | KLS-R40 | ATM-R40 | A6K405R | 40A |
| 4K0 | KTS-R40 | JKS-40 | JJS-40 | KLS-R40 | ATM-R40 | A6K-40R | 40A |
| 5K5 | KTS-R40 | JKS-40 | JJS-40 | KLS-R40 | - | A6K-40R | 40A |
| 7K5 | KTS-R40 | JKS-40 | JJS-40 | KLS-R40 | - | A6K-40R | 40A |
| 11K0 | KTS-R60 | JKS-60 | JJS-60 | KLS-R60 | - | A6K-60R | 63A |
| 15K0 | KTS-R60 | JKS-60 | JJS-60 | KLS-R60 | - | A6K-60R | 63A |
| 18K5 | KTS-R60 | JKS-60 | JJS-60 | KLS-R60 | - | A6K-60R | 80A |
| 22K0 | KTS-R60 | JKS-60 | JJS-60 | KLS-R60 | - | A6K-60R | 80A |

Table 6.3 Fuses

6.7 Mains Connection

Step 1: Mount earth cable.

Step 2: Mount wires in terminals L1/L, L2 and L3/N and tighten.

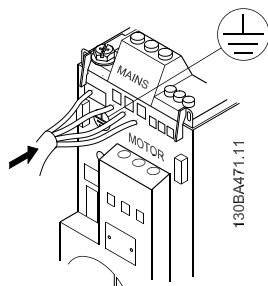


Illustration 6.4 Mounting of Earth Cable and Mains Wires

For 3-phase connection, connect wires to all three terminals.

For single-phase connection, connect wires to terminals L1/L and L3/N.

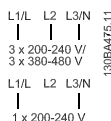


Illustration 6.5 Three-phase and Single-phase Wire Connections

6.8 Motor Connection

6.8.1 How to Connect the Motor

See 9 Specifications for correct dimensioning of motor cable cross-section and length.

- Use a shielded/armored motor cable to comply with EMC emission specifications, and connect this cable to both the decoupling plate and the motor metal.
- Keep motor cable as short as possible to reduce the noise level and leakage currents.

For further details on mounting of the decoupling plate, see instruction M102B.

All types of three-phased asynchronous standard motors can be connected to the frequency converter. Normally, small motors are star-connected (230/400 V, Δ/Y). Large motors are delta-connected (400/690 V, Δ/Y). Refer to motor nameplate for correct connection and voltage.

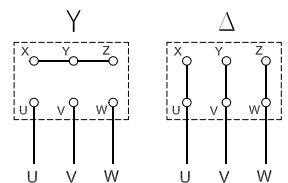


Illustration 6.6 Star and Delta Connections

Step 1: Mount the earth cable.

Step 2: Connect wires to terminals either in star or delta-connection. See motor nameplate for further information.

6

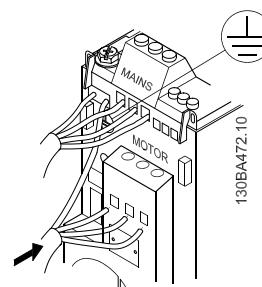


Illustration 6.7 Mounting of Earth Cable and Motor Wires

For EMC correct installation, use optional de-coupling plate, see 5.2 Options for VLT Micro Drive.

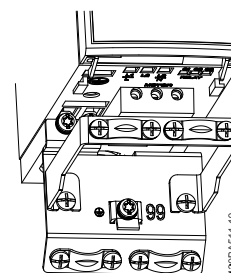


Illustration 6.8 Frequency Converter with De-coupling Plate

6.8.2 Motor Cables

See 9 Specifications for maximum dimensioning of motor cable cross-section and length.

- Use a screened/armoured motor cable to comply with EMC emission specifications.
- Keep the motor cable as short as possible to reduce the noise level and leakage currents.

- Connect the motor cable screen to both the decoupling plate of the frequency converter and to the metal cabinet of the motor.
- Make the screen connections with the largest possible surface area (cable clamp). This is done by using the supplied installation devices in the frequency converter.
- Avoid mounting with twisted screen ends (pigtailed), which spoils high frequency screening effects.
- If it is necessary to split the screen to install a motor isolator or motor relay, the screen must be continued with the lowest possible HF impedance.

6.8.3 Electrical Installation of Motor Cables

Screening of cables

Avoid installation with twisted screen ends (pigtailed). They spoil the screening effect at higher frequencies.

If it is necessary to break the screen to install a motor isolator or motor contactor, the screen must be continued at the lowest possible HF impedance.

Cable length and cross-section

The frequency converter has been tested with a given length of cable and a given cross-section of that cable. If the cross-section is increased, the cable capacitance - and thus the leakage current - may increase, and the cable length must be reduced correspondingly.

Switching frequency

When frequency converters are used together with Sine-wave filters to reduce the acoustic noise from a motor, the switching frequency must be set according to the Sine-wave filter instruction in *14-01 Switching Frequency*.

Aluminium conductors

Aluminium conductors are not recommended. Terminals can accept aluminium conductors but the conductor surface has to be clean and the oxidation must be removed and sealed by neutral acid free Vaseline grease before the conductor is connected.

Furthermore, the terminal screw must be retightened after two days due to the softness of the aluminium. It is crucial to keep the connection a gas tight joint, otherwise the aluminium surface will oxidize again.

6.8.4 EMC-Correct Electrical Installation

General points to be observed to ensure EMC-correct electrical installation.

- Use only screened/armoured motor cables and screened/armoured control cables.
- Connect the screen to earth at both ends.
- Avoid installation with twisted screen ends (pigtailed), since this ruins the screening effect at high frequencies. Use the cable clamps provided instead.
- It is important to ensure good electrical contact from the installation plate through the installation screws to the metal cabinet of the frequency converter.
- Use starwashers and galvanically conductive installation plates.
- Do not use unscreened/unarmoured motor cables in the installation cabinets.

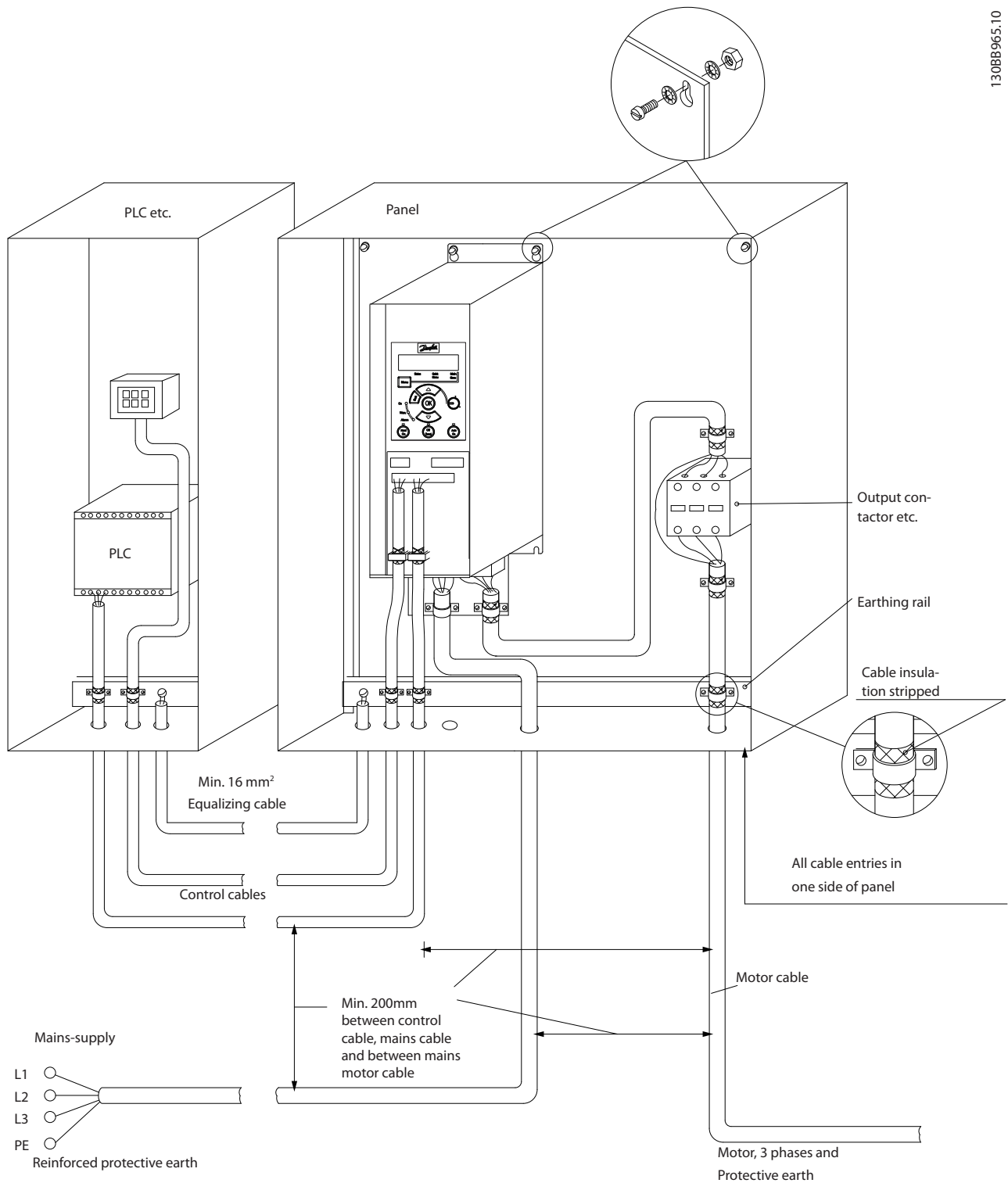


Illustration 6.9 EMC-correct Electrical Installation

NOTE

For North America use metal conduits instead of shielded cables.

6.9.1 Use of EMC-Correct Cables

Danfoss recommends braided screened/armoured cables to optimise EMC immunity of the control cables and the EMC emission from the motor cables.

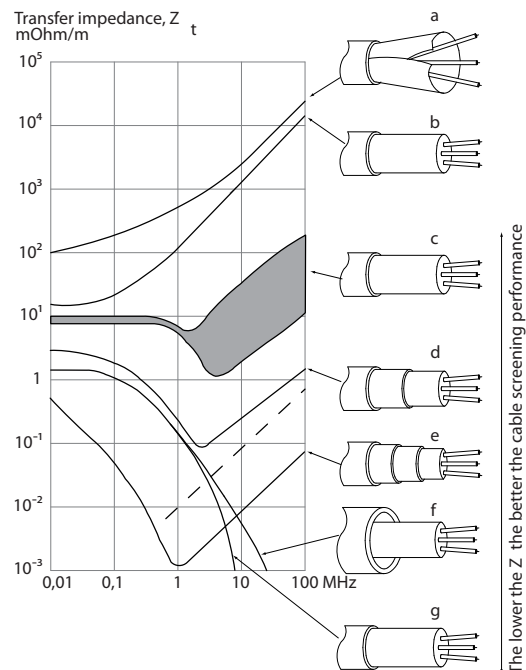
The ability of a cable to reduce the in- and outgoing radiation of electric noise depends on the transfer impedance (Z_T). The screen of a cable is normally designed to reduce the transfer of electric noise; however, a screen with a lower transfer impedance (Z_T) value is more effective than a screen with a higher transfer impedance (Z_T).

Transfer impedance (Z_T) is rarely stated by cable manufacturers but it is often possible to estimate transfer impedance (Z_T) by assessing the physical design of the cable.

Transfer impedance (Z_T) can be assessed on the basis of the following factors:

- The conductivity of the screen material.
- The contact resistance between the individual screen conductors.
- The screen coverage, that is, the physical area of the cable covered by the screen - often stated as a percentage value.
- Screen type, that is, braided or twisted pattern.
 - a. Aluminium-clad with copper wire.
 - b. Twisted copper wire or armoured steel wire cable.
 - c. Single-layer braided copper wire with varying percentage screen coverage. This is the typical Danfoss reference cable.
 - d. Double-layer braided copper wire.
 - e. Twin layer of braided copper wire with a magnetic, screened/armoured intermediate layer.
 - f. Cable that runs in copper tube or steel tube.
 - g. Lead cable with 1.1 mm wall thickness.

6



175ZA166.13

Illustration 6.10

6.10.1 Earthing of Screened/Armoured Control Cables

Generally speaking, control cables must be braided screened/armoured and the screen must be connected with a cable clamp at both ends to the metal cabinet of the unit.

Illustration 6.11 indicates how correct earthing is carried out and what to do if in doubt.

- a. **Correct earthing**
Control cables and cables for serial communication must be fitted with cable clamps at both ends to ensure the best possible electrical contact.
- b. **Wrong earthing**
Do not use twisted cable ends (pigtailed). They increase the screen impedance at high frequencies.
- c. **Protection with respect to earth potential between PLC and frequency converter**
If the earth potential between the frequency converter and the PLC (etc.) is different, electric noise may occur that disturbs the entire system. Solve this problem by fitting an equalising cable, next to the control cable. Minimum cable cross-section: 16 mm².
- d. **For 50/60 Hz earth loops**
If very long control cables are used, 50/60 Hz earth loops may occur. Solve this problem by connecting one end of the screen to earth via a 100 nF capacitor (keeping leads short).
- e. **Cables for serial communication**
Eliminate low-frequency noise currents between two frequency converters by connecting one end of the screen to terminal 61. This terminal is connected to earth via an internal RC link. Use twisted-pair cables to reduce the differential mode interference between the conductors.

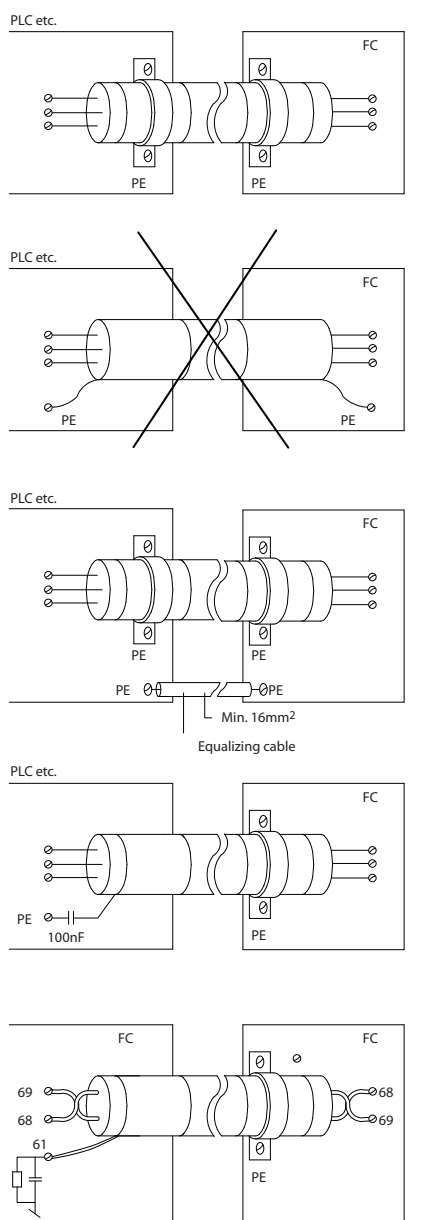


Illustration 6.11

6.11 Residual Current Device

Use RCD relays, multiple protective earthing or earthing as extra protection, if local safety regulations are complied with.

If an earth fault appears, a DC content may develop in the faulty current.

If RCD relays are used, local regulations must be observed. Relays must be suitable for protection of 3-phase equipment with a bridge rectifier and for a brief discharge on power-up see section 3.4 Earth Leakage Current for further information.

6.12 Electrical Overview

6.12.1 Power Circuit - Overview

6

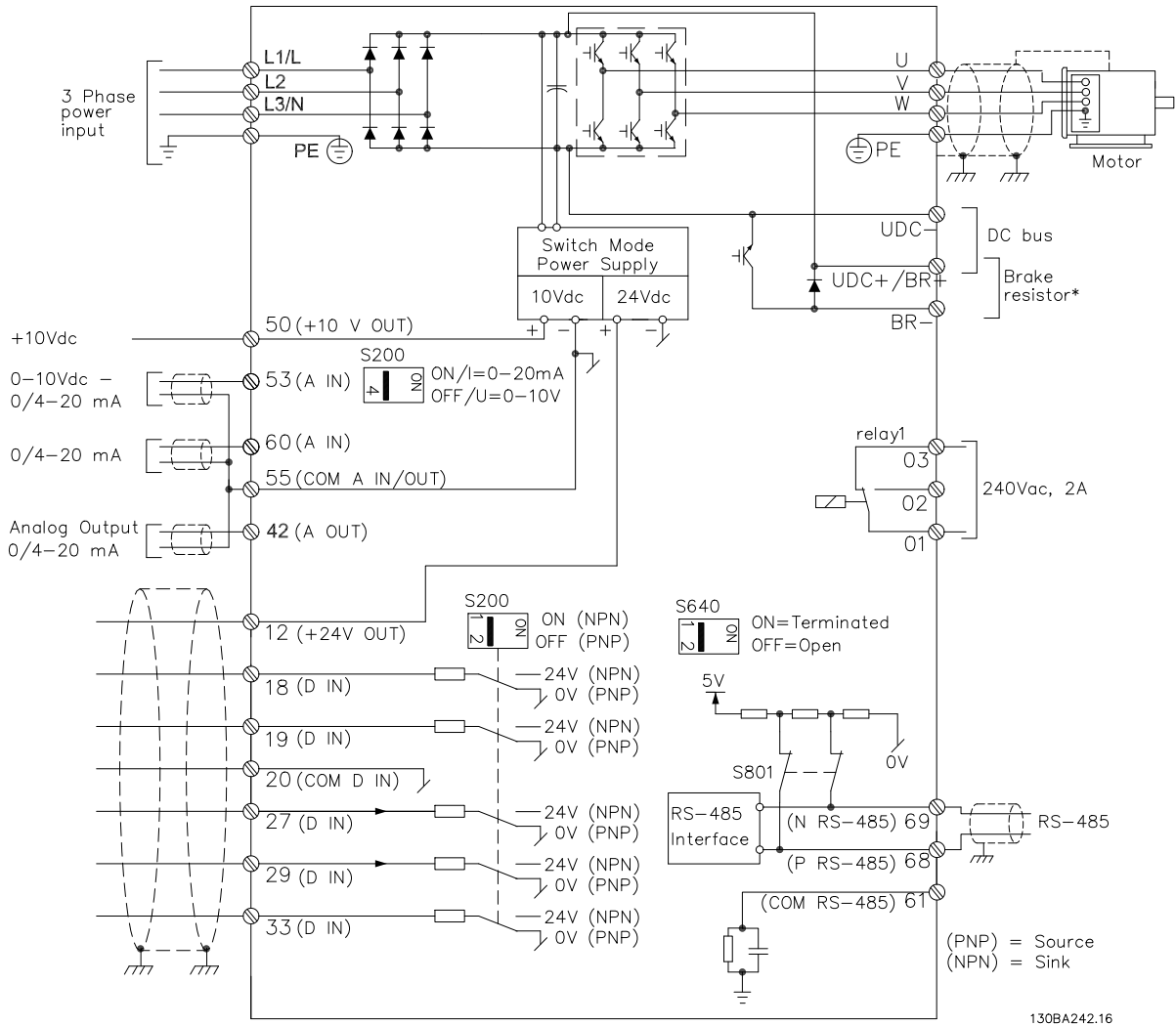


Illustration 6.12 Diagram Showing all Electrical Terminals

* Brake (BR+ and BR-) are not applicable for frame M1.

Brake resistors are available from Danfoss.

Improved power factor and EMC performance can be achieved by installing optional Danfoss line filters. Danfoss power filters can also be used for load sharing.

6.13 Electrical Installation and Control Cables

| Terminal number | Terminal description | Parameter number | Factory default |
|-----------------|---|------------------|------------------|
| 1+2+3 | Terminal 1+2+3 - Relay1 | 5-40 | No operation |
| 12 | Terminal 12 Supply | - | +24 V DC |
| 18 | Terminal 18 Digital Input | 5-10 | Start |
| 19 | Terminal 19 Digital Input | 5-11 | Reversing |
| 20 | Terminal 20 Common Digital Ground | - | Common |
| 27 | Terminal 27 Digital Input | 5-12 | Reset |
| 29 | Terminal 29 Digital Input | 5-13 | Jog |
| 33 | Terminal 33 Digital Input | 5-15 | Preset ref bit 0 |
| 42 | Terminal 42 Analog Output/Digital Output | 6-9* | No operation |
| 50 | Terminal 50 Supply for Analog Input | - | +10 V DC |
| 53 | Terminal 53 Analog Input (Voltage or Current) | 3-15/6-1* | Reference |
| 55 | Terminal 55 Common Analog Ground | - | Common |
| 60 | Terminal 60 Current Input | 3-16/6-2* | Reference |

6

Table 6.4 Terminal Connections

Very long control cables and analog signals may, in rare cases and depending on installation, result in 50/60 Hz earth loops due to noise from mains supply cables.

If this occurs, break the screen or insert a 100 nF capacitor between screen and chassis.

NOTE

The common of digital/analog inputs and outputs should be connected to separate common terminals 20, 39, and 55. This avoids ground current interference among groups. For example, it avoids switching on digital inputs disturbing analog inputs.

NOTE

Control cables must be screened/armoured.

6.14 Control Terminals

6.14.1 Access to Control Terminals

All control cable terminals are located underneath the terminal cover in front of the frequency converter. Remove the terminal cover using a screwdriver.

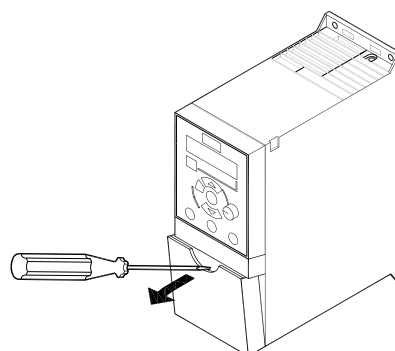


Illustration 6.13 Removing Terminal Cover

NOTE

See back of terminal cover for outlines of control terminals and switches.

6.14.2 Connecting to Control Terminals

Illustration 6.14 shows all control terminals of the frequency converter. Applying Start (term. 18) and an analog reference (term. 53 or 60) make the frequency converter run.

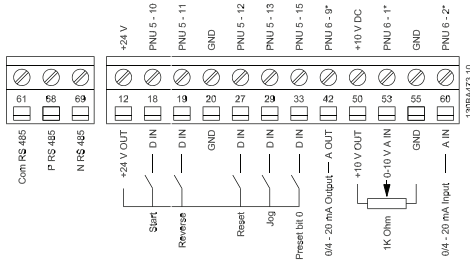


Illustration 6.14 Overview of Control Terminals in PNP-configuration and Factory Setting.

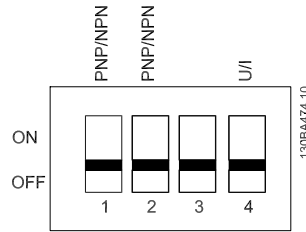


Illustration 6.16 S200 Switches 1-4.

NOTE

Parameter 6-19 must be set according to Switch 4 position.

6.16 Final Set-Up and Test

To test the set-up and ensure that the frequency converter is running, follow these steps.

Step 1. Locate the motor name plate

The motor is either star- (Y) or delta-connected (Δ). This information is located on the motor name plate data.

Step 2. Enter the motor name plate data in this parameter list.

To access this list first press the [Quick Menu] key then select "Q2 Quick Setup".

| | | |
|----|---|--|
| 1. | Motor Power [kW] or Motor Power [HP] | 1-20 Motor Power [kW] 1-21 Motor Power [HP] |
| 2. | Motor Voltage | 1-22 Motor Voltage |
| 3. | Motor Frequency | 1-23 Motor Frequency |
| 4. | Motor Current | 1-24 Motor Current |
| 5. | Motor Nominal Speed | 1-25 Motor Nominal Speed |

Table 6.6

6.15 Switches

NOTE

Do not operate switches with power on the frequency converter.

Bus termination:

Switch BUS TER position ON terminates the RS-485 port, terminals 68, 69. See Illustration 6.12.

Default setting = Off.

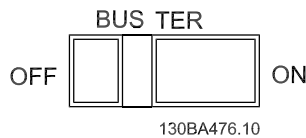
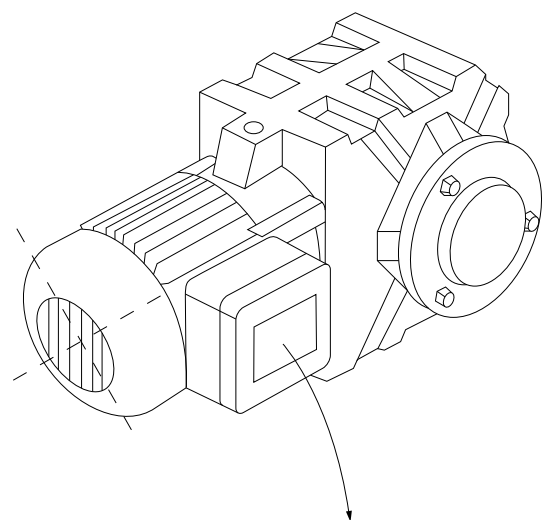


Illustration 6.15 S640 Bus Termination

S200 Switches 1-4:

| | |
|-------------------|--|
| Switch 1 | *OFF=PNP terminals 29 ON=NPN terminals 29 |
| Switch 2 | *OFF=PNP terminal 18, 19, 27 and 33 ON=NPN terminal 18, 19, 27 and 33 |
| Switch 3 | No function |
| Switch 4 | *OFF=Terminal 53 0-10 V ON=Terminal 53 0/4-20 mA |
| *=default setting | |

Table 6.5 Settings for S200 Switches 1-4



130BT307.10

| | | | | |
|---------------------------|-------|-------|-----|-----|
| BAUER D-7 3734 ESLINGEN | | | | |
| 3~ MOTOR NR. 1827421 2003 | | | | |
| S/E005A9 | | | | |
| | 1,5 | KW | | |
| n ₂ | 31,5 | /min. | 400 | Y V |
| n ₁ | 1400 | /min. | 50 | Hz |
| COS φ | 0,80 | | 3,6 | A |
| 1,7L | | | | |
| B | IP 65 | H1/1A | | |

Illustration 6.17

Step 3. Activate the Automatic Motor Tuning (AMT)

Performing an AMT ensures optimum performance. The AMT measures the values from the motor model equivalent diagram.

1. Connect terminal 27 to terminal 12 or set 5-12 Terminal 27 Digital Input to 'No function' (5-12 Terminal 27 Digital Input [0])
2. Activate the AMT 1-29 Automatic Motor Adaptation (AMA).
3. Choose between complete or reduced AMT. If an LC filter is mounted, run only the reduced AMT, or remove the LC filter during the AMT procedure.
4. Press [Ok]. The display shows "Press [Hand On] to start".
5. Press [Hand On]. A progress bar indicates if the AMT is in progress.

Stop the AMT during operation

1. Press [Off] - the frequency converter enters into alarm mode and the display shows that the AMT was terminated by the user.

Successful AMT

1. The display shows "Press [Ok] to finish AMT".
2. Press the [Ok] key to exit the AMT state.

Unsuccessful AMT

1. The frequency converter enters into alarm mode. A description of the alarm can be found in the Troubleshooting section in VLT Micro Drive FC 51 Programming Guide, MG02C.
2. "Report Value" in the [Alarm Log] shows the last measuring sequence carried out by the AMT, before the frequency converter entered alarm mode. This number along with the description of the alarm assists in troubleshooting. Contact Danfoss Service and make sure to mention number and alarm description.

Unsuccessful AMT is often caused by incorrectly registered motor name plate data or too big difference between the motor power size and the frequency converter power size.

Step 4. Set speed limit and ramp time

Set-up the desired limits for speed and ramp time.

| | |
|-------------------|------------------------|
| Minimum Reference | 3-02 Minimum Reference |
| Maximum Reference | 3-03 Maximum Reference |

Table 6.7

| | |
|------------------------|---|
| Motor Speed Low Limit | 4-11 Motor Speed Low Limit [RPM] or 4-12 Motor Speed Low Limit [Hz] |
| Motor Speed High Limit | 4-13 Motor Speed High Limit [RPM] or 4-14 Motor Speed High Limit [Hz] |

Table 6.8

| | |
|----------------------|----------------------------|
| Ramp-up Time 1 [s] | 3-41 Ramp 1 Ramp Up Time |
| Ramp-down Time 1 [s] | 3-42 Ramp 1 Ramp Down Time |

Table 6.9

6.17 Parallel Connection of Motors

The frequency converter can control several parallel-connected motors. The total current consumption of the motors must not exceed the rated output current I_{INV} for the frequency converter.

When motors are connected in parallel, *1-29 Automatic Motor Tuning (AMT)* cannot be used.

Problems may arise at start and at low RPM values if motor sizes are widely different because small motors' relatively high ohmic resistance in the stator calls for a higher voltage at start and at low RPM values.

6

The electronic thermal relay () of the frequency converter cannot be used as motor protection for the individual motor of systems with parallel-connected motors. Provide further motor protection by for example, thermistors in each motor or individual thermal relays. (Circuit breakers are not suitable as protection).

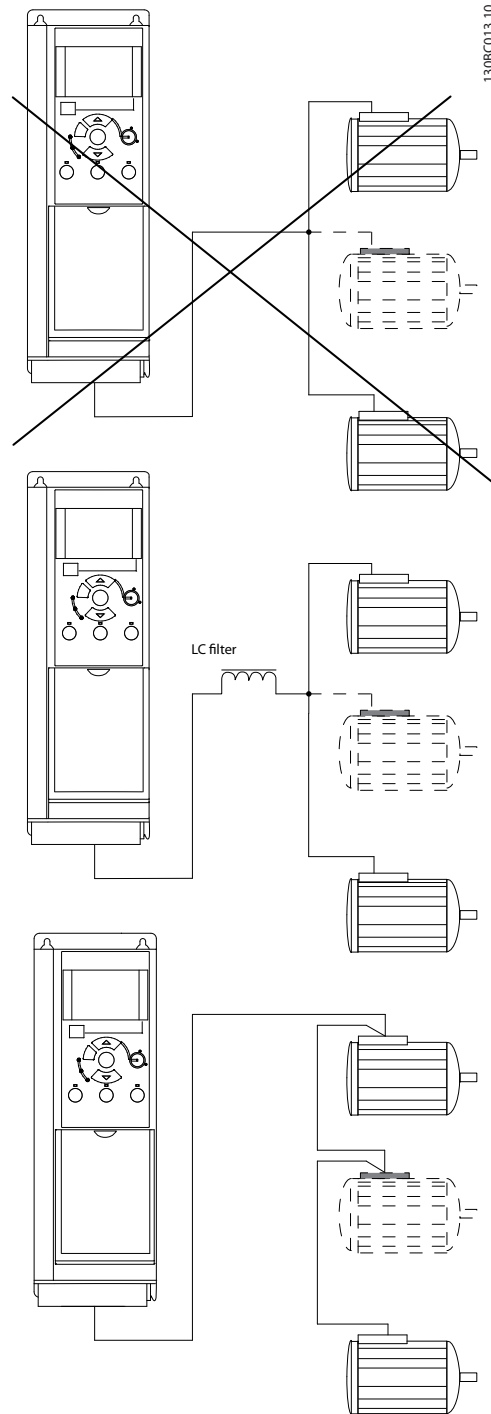


Illustration 6.18

6.18 Motor Installation

6.18.1 Motor Insulation

For motor cable lengths \leq the maximum cable length listed in 9.1 *Specifications*, the following motor insulation ratings are recommended because the peak voltage can be up to twice the DC link voltage, 2.8 times the mains voltage, due to transmission line effects in the motor cable. If a motor has lower insulation rating it recommended to use a dU/dt or sine wave filter.

| Nominal Mains Voltage | Motor Insulation |
|----------------------------|------------------------------|
| $U_N \leq 420$ V | Standard $U_{LL} = 1300$ V |
| 420 V $< U_N \leq 500$ V | Reinforced $U_{LL} = 1600$ V |
| 500 V $< U_N \leq 600$ V | Reinforced $U_{LL} = 1800$ V |
| 600 V $< U_N \leq 690$ V | Reinforced $U_{LL} = 2000$ V |

Table 6.10

6.19 Installation of Misc. Connections

6.19.1 RS-485 Bus Connection

One or more frequency converters can be connected to a control (or master) using the RS-485 standardized interface. Terminal 68 is connected to the P signal (TX+, RX+), while terminal 69 is connected to the N signal (TX-,RX-).

If more than one frequency converter is connected to a master, use parallel connections.

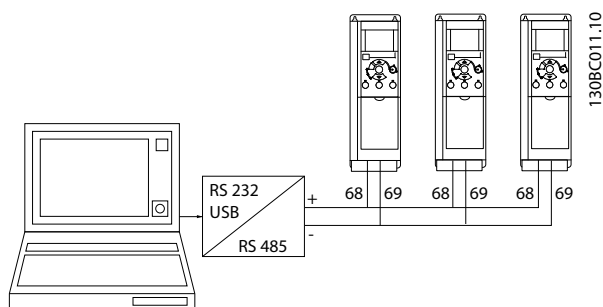


Illustration 6.19

In order to avoid potential equalizing currents in the screen, earth the cable screen via terminal 61, which is connected to the frame via an RC-link.

Bus termination

The RS-485 bus must be terminated by a resistor network at both ends. For this purpose, set switch S801 on the control card for "ON".

For more information, see the paragraph *Switches S201, S202, and S801*.

Communication protocol must be set to *8-30 Protocol*.

6.19.2 How to Connect a PC to the Frequency Converter

To control or program the frequency converter from a PC, install the PC-based Configuration Tool MCT 10 Set-up Software.

MCT 10 Set-up Software

MCT 10 Set-up Software has been designed as an easy to use interactive tool for setting parameters in our frequency converters.

The PC-based Configuration Tool MCT 10 Set-up Software will be useful for:

- Planning a communication network off-line. MCT 10 Set-up Software contains a complete frequency converter database
- Commissioning frequency converters on line
- Saving settings for all frequency converters
- Replacing a frequency converter in a network
- Expanding an existing network
- Future developed frequency converters will be supported

Save Drive Settings

1. Connect a PC to the unit via USB com port
2. Open PC-based Configuration Tool MCT 10 Set-up Software
3. Choose "Read from drive"
4. Choose "Save as"

All parameters are now stored in the PC.

Load Drive Settings

1. Connect a PC to the unit via USB com port
2. Open PC-based Configuration Tool MCT 10 Set-up Software
3. Choose "Open"– stored files is shown
4. Open the appropriate file
5. Choose "Write to drive"

All parameter settings are now transferred to the frequency converter.

A separate manual for PC-based Configuration Tool MCT 10 Set-up Software is available.

The PC-based Configuration Tool MCT 10 Set-up Software modules

The following modules are included in the software package:


| | |
|---|--|
|  | <p>MCT 10 Set-up Software</p> <ul style="list-style-type: none"> Setting parameters Copy to and from frequency converters Documentation and print out of parameter settings incl. diagrams |
| | <p>Ext. User Interface</p> <ul style="list-style-type: none"> Preventive Maintenance Schedule Clock settings Timed Action Programming Smart Logic Controller Set-up |

Table 6.11

Ordering number:

Please order the CD containing the PC-based Configuration Tool MCT 10 Set-up Software using code number 130B1000.

MCT 10 Set-up Software can also be downloaded from the DanfossInternet: www.danfoss.com/BusinessAreas/DrivesSolutions/SoftwareDownload/DDPC+Software+Program.htm.

6.20 Safety

6.20.1 High Voltage Test

Carry out a high voltage test by short-circuiting terminals U, V, W, L₁, L₂ and L₃. Energize maximum 2.15 kV DC for 380-500 V frequency converters and 2.525 kV DC for 525-690 V frequency converters for one second between this short-circuit and the chassis.

⚠ WARNING

When running high voltage tests of the entire installation, interrupt the mains and motor connection if the leakage currents are too high.

Failure to follow recommendations could result in death or serious injury.

6.20.2 Safety Earth Connection

The frequency converter has a high leakage current and must be earthed appropriately for safety reasons according to EN 50178.

⚠ WARNING

The earth leakage current from the frequency converter exceeds 3.5 mA. To ensure a good mechanical connection from the earth cable to the earth connection (terminal 95), the cable cross-section must be at least 10 mm² or 2 rated earth wires terminated separately.

7 Programming

7.1 How to Programme

7.1.1 Programming with MCT 10 Set-up Software

The frequency converter can be programmed from a PC via RS-485 com-port by installing the MCT 10 Set-up Software.

This software can either be ordered using code number 130B1000 or downloaded from the Danfoss Web site: www.danfoss.com/BusinessAreas/DrivesSolutions/software-download

Refer to *VLT® Motion Control Tools, Operating Instructions, MG10R*.

7.1.2 Programming with the LCP 11 or LCP 12

The LCP is divided into four functional groups:

1. Numeric display.
2. Menu key.
3. Navigation keys.
4. Operation keys and indicator lights (LEDs).

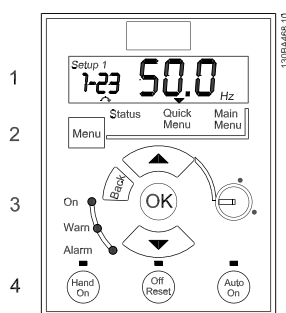


Illustration 7.1 LCP 12 with Potentiometer

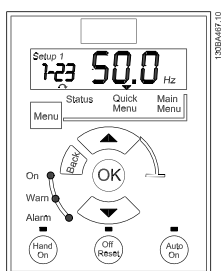


Illustration 7.2 LCP 11 without Potentiometer

The display

Different information can be read from the display.

Set-up number shows the active set-up and the edit set-up. If the same set-up acts as both active and edit set-up, only that set-up number is shown (factory setting). When active and edit set-up differ, both numbers are shown in the display (Set-up 12). The number flashing, indicates the edit set-up.

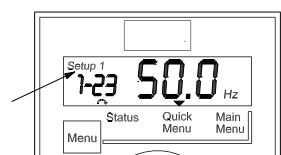


Illustration 7.3 Indicating Set-up

The small digits to the left are the selected parameter number.



Illustration 7.4 Indicating Selected Parameter Number

The large digits in the middle of the display show the **value** of the selected parameter.

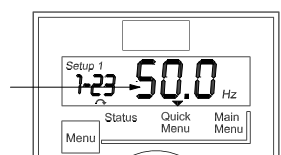


Illustration 7.5 Indicating Value of Selected Parameter

The right side of the display shows the **unit** of the selected parameter. This can be either Hz, A, V, kW, HP, %, s or RPM.



Illustration 7.6 Indicating Unit of Selected Parameter

Motor direction is shown to the bottom left of the display - indicated by a small arrow pointing either clockwise or counterclockwise.



Illustration 7.7 Indicating Motor Direction

Press the [Menu] key to select one of the following menus

Status Menu

The Status Menu is either in *Readout Mode* or *Hand on Mode*. In *Readout Mode* the value of the currently selected readout parameter is shown in the display.

In *Hand on Mode* the local LCP reference is displayed.

Quick Menu

Displays Quick Menu parameters and their settings. Parameters in the Quick Menu can be accessed and edited from here. Most applications can be run by setting the parameters in the Quick Menus.

Main Menu

Displays Main Menu parameters and their settings. All parameters can be accessed and edited here.

Indicator lights

- Green LED: The frequency converter is on.
- Yellow LED: Indicates a warning. See Section *Troubleshooting* in *VLT Micro Drive FC 51 Programming Guide, MG02C*.
- Flashing red LED: Indicates an alarm. See Section *Troubleshooting* in *VLT Micro Drive FC 51 Programming Guide, MG02C*.

Navigation Keys

[Back]: For moving to the previous step or layer in the navigation structure.

[▲] [▼]: For maneuvering between parameter groups, parameters and within parameters.

[Ok]: For selecting a parameter and for accepting changes to parameter settings.

Pressing [Ok] for more than 1 s enters 'Adjust' mode. In 'Adjust' mode, it is possible to make fast adjustment by pressing [▲] [▼] combined with [Ok].

Press [▲] [▼] to change value. Press [Ok] to shift between digits quickly.

To exit 'Adjust' mode, press [Ok] more than 1 s again with changes saving or press [Back] without changes saving.

Operation Keys

A yellow light above the operation keys indicates the active key.

[Hand On]: Starts the motor and enables control of the frequency converter via the LCP.

[Off/Reset]: The motor stops except in alarm mode. In that case the motor will be reset.

[Auto On]: The frequency converter is controlled either via control terminals or serial communication.

[Potentiometer] (LCP 12): The potentiometer works in two ways depending on the mode in which the frequency converter is running.

In *Auto Mode* the potentiometer acts as an extra programmable analog input.

In *Hand on Mode* the potentiometer controls local reference.

7.2 Status Menu

After power up the Status Menu is active. Press [Menu] to toggle between Status, Quick Menu and Main Menu.

[▲] and [▼] toggles between the choices in each menu.

The display indicates the status mode with a small arrow above "Status".



Illustration 7.8 Indicating Status Mode

7.3 Quick Menu

The Quick Menu gives easy access to the most frequently used parameters.

1. To enter the Quick Menu, press [Menu] key until indicator in display is placed above *Quick Menu*.
2. Press [▲] [▼] to select either QM1 or QM2, then press [Ok].

3. Press [▲] [▼] to browse through the parameters in the Quick Menu.
4. Press [Ok] to select a parameter.
5. Press [▲] [▼] to change the value of a parameter setting.
6. Press [Ok] to accept the change.
7. To exit, press either [Back] twice to enter *Status*, or press [Menu] once to enter *Main Menu*.

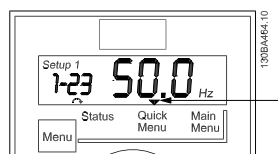


Illustration 7.9 Indicating Quick Menu Mode

7.4 Quick Menu Parameters

7.4.1 Quick Menu Parameters - Basic Settings QM1

Below are descriptions of all parameters found in the Quick Menu.

* =Factory setting.

| 1-20 Motor Power [kW]/[HP] (P _{m.n}) | | |
|--|--|--|
| Option: | Function: | |
| | Enter motor power from nameplate data. Two sizes down, one size up from nominal VLT rating. | |
| [1] | 0.09 kW/0.12 HP | |
| [2] | 0.12 kW/0.16 HP | |
| [3] | 0.18kW/0.25 HP | |
| [4] | 0.25 kW/0.33 HP | |
| [5] | 0.37kW/0.50 HP | |
| [6] | 0.55 kW/0.75 HP | |
| [7] | 0.75 kW/1.00 HP | |
| [8] | 1.10 kW/1.50 HP | |
| [9] | 1.50 kW/2.00 HP | |
| [10] | 2.20 kW/3.00 HP | |
| [11] | 3.00 kW/4.00 HP | |
| [12] | 3.70 kW/5.00 HP | |
| [13] | 4.00 kW/5.40 HP | |
| [14] | 5.50 kW/7.50 HP | |
| [15] | 7.50 kW/10.0 HP | |
| [16] | 11.00 kW/15.00 HP | |
| [17] | 15.00 kW/20.00 HP | |
| [18] | 18.50 kW/25.00 HP | |
| [19] | 22.00 kW/29.50 HP | |
| [20] | 30.00 kW/40.00 HP | |

NOTE

Changing this parameter affects parameter 1-22 to 1-25, 1-30, 1-33 and 1-35.

| 1-22 Motor Voltage (U _{m.n}) | | |
|--|------------|--|
| Range: | Function: | |
| 230/400 V | [50-999 V] | Enter motor voltage from nameplate data. |

| 1-23 Motor Frequency (f _{m.n}) | | |
|--|-------------|--|
| Range: | Function: | |
| 50 Hz* | [20-400 Hz] | Enter motor frequency from nameplate data. |

| 1-24 Motor Current (I _{m.n}) | | |
|--|-----------------|--|
| Range: | Function: | |
| M-type dependent* | [0.01-100.00 A] | Enter motor current from nameplate data. |

| 1-25 Motor Nominal Speed (n _{m.n}) | | |
|--|----------------|--|
| Range: | Function: | |
| M-type Dependent* | [100-9999 RPM] | Enter motor nominal speed from nameplate data. |

| 1-29 Automatic Motor Tuning (AMT) | | |
|-----------------------------------|---|--|
| Option: | Function: | |
| | Use AMT to optimize motor performance. NOTE This parameter cannot be changed while motor runs. <ol style="list-style-type: none"> 1. Stop the frequency converter - make sure motor is at standstill 2. Choose [2] Enable AMT 3. Apply start signal - Via LCP: Press [Hand On] - Or in Remote On mode: Apply start signal on terminal 18 | |
| [0] * | Off | AMT function is disabled. |
| [2] | Enable AMT | AMT function starts running. NOTE To gain optimum tuning of the frequency converter, run AMT on a cold motor. |

| 3-02 Minimum Reference | | |
|------------------------|--------------|---|
| Range: | Function: | |
| 0.00* | [-4999-4999] | Enter value for minimum reference. The sum of all internal and external references are clamped (limited) to the minimum reference value, 3-02 <i>Minimum Reference</i> . |

3-03 Maximum Reference

| Range: | | Function: |
|--------|--------------|--|
| | | Maximum Reference is adjustable in the range Minimum Reference -4999. |
| 50.00* | [-4999-4999] | Enter value for Maximum Reference. The sum of all internal and external references are clamped (limited) to the maximum reference value, <i>3-03 Maximum Reference</i> . |

3-41 Ramp1 Ramp-up Time

| Range: | | Function: |
|---------------|------------------|---|
| Size related* | [0.05-3600.00 s] | Enter ramp-up time from 0 Hz to rated motor frequency ($f_{M,N}$) set in <i>1-23 Motor Frequency</i> . Choose a ramp-up time ensuring that torque limit is not exceeded, see <i>4-16 Torque Limit in Motor Mode</i> . |

3-42 Ramp1 Ramp-down Time

| Range: | | Function: |
|---------------|------------------|---|
| Size related* | [0.05-3600.00 s] | Enter ramp down time from rated motor frequency ($f_{M,N}$) in <i>1-23 Motor Frequency</i> to 0 Hz. Choose a ramp down time that does not cause over-voltage in inverter due to regenerative operation of motor. Furthermore, regenerative torque must not exceed limit set in <i>4-17 Torque Limit in Generator Mode</i> . |

7.4.2 Quick Menu Parameters - PI Basic Settings QM2

The following is a brief description of the parameters for the PI Basic Settings. For a more detailed description, see *VLT® Micro Drive Programming Guide, MG02C*.

1-00 Configuration Mode

| Option: | Function: |
|-----------------------|--|
| | Use this parameter for selecting the application control principle to be used when a Remote Reference is active. NOTE Changing this parameter will reset <i>3-00 Reference Range</i> , <i>3-02 Minimum Reference</i> and <i>3-03 Maximum Reference</i> to their default values. NOTE This parameter cannot be adjusted while motor runs. |
| [0] * Speed Open Loop | For normal speed control (References). |

1-00 Configuration Mode

| Option: | Function: |
|-------------------------|---|
| [3] Process Closed Loop | Enables process closed loop control. See parameter group 7-3* <i>Process PI Control</i> for further information on PI-controller. |

3-02 Minimum Reference

| Range: | | Function: |
|--------|--------------|--|
| 0.00* | [-4999-4999] | Enter value for minimum reference. The sum of all internal and external references are clamped (limited) to the minimum reference value, <i>3-02 Minimum Reference</i> . |

3-03 Maximum Reference

| Range: | | Function: |
|--------|--------------|--|
| | | Maximum Reference is adjustable in the range Minimum Reference -4999. |
| 50.00* | [-4999-4999] | Enter value for Maximum Reference. The sum of all internal and external references are clamped (limited) to the maximum reference value, <i>3-03 Maximum Reference</i> . |

3-10 Preset Reference

| Option: | Function: | | | | | | | | | | | | | | | | | | | | | | | | | | | | | | | | | | | | |
|--------------------------|---|-----------|-----------|-----------|-----------|---|---|---|---|---|---|---|---|---|---|---|---|---|---|---|---|---|---|---|---|---|---|---|---|---|---|---|---|---|---|---|---|
| | Each parameter set-up contains 8 preset references which are selectable via 3 digital inputs or bus. <table border="1" data-bbox="1072 1214 1449 1554"> <thead> <tr> <th>[18] Bit2</th> <th>[17] Bit1</th> <th>[16] Bit0</th> <th>[16] Bit0</th> </tr> </thead> <tbody> <tr><td>0</td><td>0</td><td>0</td><td>0</td></tr> <tr><td>0</td><td>0</td><td>1</td><td>1</td></tr> <tr><td>0</td><td>1</td><td>0</td><td>2</td></tr> <tr><td>0</td><td>1</td><td>1</td><td>3</td></tr> <tr><td>1</td><td>0</td><td>0</td><td>4</td></tr> <tr><td>1</td><td>0</td><td>1</td><td>5</td></tr> <tr><td>1</td><td>1</td><td>0</td><td>6</td></tr> <tr><td>1</td><td>1</td><td>1</td><td>7</td></tr> </tbody> </table> Table 7.1 Parameter Group 5-1* Digital Inputs Option [16], [17] and [18] | [18] Bit2 | [17] Bit1 | [16] Bit0 | [16] Bit0 | 0 | 0 | 0 | 0 | 0 | 0 | 1 | 1 | 0 | 1 | 0 | 2 | 0 | 1 | 1 | 3 | 1 | 0 | 0 | 4 | 1 | 0 | 1 | 5 | 1 | 1 | 0 | 6 | 1 | 1 | 1 | 7 |
| [18] Bit2 | [17] Bit1 | [16] Bit0 | [16] Bit0 | | | | | | | | | | | | | | | | | | | | | | | | | | | | | | | | | | |
| 0 | 0 | 0 | 0 | | | | | | | | | | | | | | | | | | | | | | | | | | | | | | | | | | |
| 0 | 0 | 1 | 1 | | | | | | | | | | | | | | | | | | | | | | | | | | | | | | | | | | |
| 0 | 1 | 0 | 2 | | | | | | | | | | | | | | | | | | | | | | | | | | | | | | | | | | |
| 0 | 1 | 1 | 3 | | | | | | | | | | | | | | | | | | | | | | | | | | | | | | | | | | |
| 1 | 0 | 0 | 4 | | | | | | | | | | | | | | | | | | | | | | | | | | | | | | | | | | |
| 1 | 0 | 1 | 5 | | | | | | | | | | | | | | | | | | | | | | | | | | | | | | | | | | |
| 1 | 1 | 0 | 6 | | | | | | | | | | | | | | | | | | | | | | | | | | | | | | | | | | |
| 1 | 1 | 1 | 7 | | | | | | | | | | | | | | | | | | | | | | | | | | | | | | | | | | |
| [0.00] * -100.00-100.00% | Enter the different preset references using array programming. Normally, 100%=value set in <i>3-03 Maximum Reference</i> . However, there are exceptions if <i>3-00 Reference Range</i> is set to [0] Min - Max. Example 1: <i>3-02 Minimum Reference</i> is set to 20 and <i>3-03 Maximum Reference</i> is set to 50. In this case 0%=0 and 100%=50. Example 2: | | | | | | | | | | | | | | | | | | | | | | | | | | | | | | | | | | | | |

3-10 Preset Reference

| Option: | Function: |
|---------|--|
| | 3-02 <i>Minimum Reference</i> is set to -70 and 3-03 <i>Maximum Reference</i> is set to 50. In this case 0%=0 and 100%=70. |

4-12 Motor Speed Low Limit

| Range: | Function: |
|------------------------|--|
| 0.0 Hz* [0.0-400.0 Hz] | Set the <i>Minimum Motor Speed Limit</i> corresponding to the minimum output frequency of the motor shaft. NOTE As the minimum output frequency is an absolute value, it cannot be deviated from. |

4-14 Motor Speed High Limit

| Range: | Function: |
|-------------------------|--|
| 65.0 Hz* [0.0-400.0 Hz] | Set the <i>Maximum Motor Speed</i> corresponding to the maximum output frequency of the motor shaft. NOTE As the maximum output frequency is an absolute value, it cannot be deviated from. |

6-22 Terminal 60 Low Current

| Range: | Function: |
|--------------------------|---|
| | This reference signal should correspond to minimum reference value set in 6-24 <i>Terminal 60 Low Ref./Feedb. Value</i> . |
| 0.14 mA* [0.00-19.90 mA] | Enter low current value. |

CAUTION

The value must be set to min. 2 mA in order to activate the Live Zero Timeout function in 6-01 *Live Zero Timeout Time*.

6-23 Terminal 60 High Current

| Range: | Function: |
|---------------------------|---|
| | This reference signal should correspond to the high current value set in 6-25 <i>Terminal 60 High Ref./Feedb. Value</i> . |
| 20.00 mA* [0.10-20.00 mA] | Enter high current value. |

6-24 Terminal 60 Low Ref./Feedb. Value

| Range: | Function: |
|---------------------|---|
| | The scaling value corresponding to the low current set in 6-22 <i>Terminal 60 Low Current</i> . |
| 0.000* [-4999-4999] | Enter analog input scaling value. |

6-25 Terminal 60 High Ref./Feedb. Value

| Range: | Function: |
|---------------------|---|
| | The scaling value corresponding to the high current set in 6-23 <i>Terminal 60 High Current</i> . |
| 50.00* [-4999-4999] | Enter analog input scaling value. |

6-26 Terminal 60 Filter Time Constant

| Range: | Function: |
|------------------------|--|
| | A first-order digital low pass filter time constant for suppressing electrical noise in terminal 60. A high time constant value improves dampening, but also increases time delay through the filter. NOTE This parameter cannot be changed while motor runs. |
| 0.01 s* [0.01-10.00 s] | Enter time constant. |

7-20 Process CL Feedback Resources

| Option: | Function: |
|---------|--|
| | Select input to function as feedback signal. |
| [0] * | No Function |
| [1] | Analog Input 53 |
| [2] | Analog Input 60 |
| [8] | Pulse Input 33 |
| [11] | Local Bus Ref. |

7-30 Process PI Normal/Inverse Control

| Option: | Function: |
|---------|--|
| [0] * | Normal Feedback larger than setpoint result in a speed reduction. Feedback less than setpoint result in a speed increase. |
| [1] | Inverse Feedback larger than setpoint result in a speed increase. Feedback less than setpoint result in a speed reduction. |

7-31 Process PI Anti Windup

| Option: | Function: |
|---------|---|
| [0] | Disable Regulation of a given error will continue even when the output frequency cannot be increased/decreased. |
| [1] * | Enable PI-controller ceases from regulating a given error when the output frequency cannot be increased/decreased. |

7-32 Process PI Start Speed

| Range: | Function: |
|------------------------|--|
| 0.0 Hz* [0.0-200.0 Hz] | Until the set motor speed has been reached the frequency converter operates in Open Loop mode. |

7-33 Process PI Proportional Gain

| Option: | Function: |
|---------------------|---|
| [0.01] * 0.00-10.00 | Enter the value for the P proportional gain, i.e. the multiplication factor of the error between the set point and the feedback signal. NOTE 0.00=Off. |

7-34 Process PI Integral Time

| Range: | Function: |
|-----------------------------|---|
| 9999.00 s* [0.10-9999.00 s] | The integrator provides an increasing gain at a constant error between the set point and the feedback signal. The integral time is the time needed by the integrator to reach the same gain as the proportional gain. |

7-38 Process Feed Forward Factor

| Range: | Function: |
|--------------|---|
| 0%* [0-400%] | The FF factor sends a part of the reference signal around the PI controller which then only affects part of the control signal. By activating the FF factor less overshoot and high dynamics are gained when changing the setpoint. This parameter is always active when 1-00 Configuration Mode is set to [3] Process. |

7.5 Main Menu

[Main Menu] is used for programming all parameters. The Main Menu parameters can be accessed immediately unless a password has been created via 0-60 Main Menu Password. For most VLT® Micro Drive applications it is not necessary to access the Main Menu parameters but instead the Quick Menu provides the simplest and quickest access to the typical required parameters.

The Main Menu accesses all parameters.

1. Press [Menu] key until indicator in display is placed above "Main Menu".
2. Use [▲] [▼] to browse through the parameter groups.
3. Press [Ok] to select a parameter group.
4. Use [▲] [▼] to browse through the parameters in the specific group.
5. Press [Ok] to select the parameter.
6. Use [▲] [▼] to set/change the parameter value.

[Back] is used to go one level back.

7.6 Quick Transfer of Parameter Settings between Multiple Frequency Converters

Once the set-up of a frequency converter is complete, Danfoss recommends to store the data in the LCP or on a PC via MCT 10 Setup Software tool.

Data storage in LCP.



Stop the motor before performing this operation.

1. Go to 0-50 LCP Copy
2. Press the [Ok] key
3. Select "All to LCP"
4. Press the [Ok] key

Connect the LCP to another frequency converter and copy the parameter settings to this frequency converter as well.

Data transfer from LCP to frequency converter:

NOTE

Stop the motor before performing this operation.

1. Go to 0-50 LCP Copy
2. Press the [Ok] key
3. Select "All from LCP"
4. Press the [Ok] key

7.7 Read-out and Programming of Indexed Parameters

Use as an example.

Press [Ok] for selecting a parameter and use [▲/▼] for maneuvering between the indexed values.

To change the parameter value, select the indexed value and press [OK].

Change the value using [▲/▼].

Press [Ok] to accept the new setting.

Pressing [Ok] for more than 1 s enters 'Adjust' mode. In 'Adjust' mode, it is possible to make fast adjustment by pressing [▲/▼] combined with [OK].

Press [▲/▼] to change value. Press [Ok] to shift between digits quickly. To exit modification mode, hold [OK] more

than 1 second again with change saving or press [Back] without change saving. Press [Back] to leave the parameter.

7.8 Initialise the Frequency Converter to Default Settings in two Ways

7.8.1 Initialise the Frequency Converter to Default Settings in two Ways

Recommended initialisation (via 14-22 Operation Mode)

1. Select *14-22 Operation Mode*.
2. Press [Ok].
3. Select *Initialisation* and Press [Ok].
4. Cut off the mains supply and wait until the display turns off.
5. Reconnect the mains supply - the frequency converter is now reset. *Except the following parameters.*
 - 8-30 Protocol
 - 8-31 Address
 - 8-32 Baud Rate
 - 8-33 Parity / Stop Bits
 - 8-35 Minimum Response Delay
 - 8-36 Maximum Response Delay
 - 15-00 Operating Hours to 15-05 Over Volt's
 - 15-03 Power Up's
 - 15-04 Over Temp's
 - 15-05 Over Volt's
 - 15-30 Alarm Log: Error Code
 - 15-4* Drive identification parameters

Two finger initialization:

1. Power off the frequency converter.
2. Press [Ok] and [Menu].
3. Power up the frequency converter while still pressing the keys above for 10 sec.
4. The frequency converter is now reset, except the following parameters:
 - 15-00 Operating Hours
 - 15-03 Power Up's
 - 15-04 Over Temp's
 - 15-05 Over Volt's
 - 15-4* Drive identification parameters

Initialisation of parameters is confirmed by AL80 in the display after the power cycle.

8 RS-485 Installation and Set-up

8.1.1 Overview

RS-485 is a two-wire bus interface compatible with multi-drop network topology, that is, nodes can be connected as a bus, or via drop cables from a common trunk line. A total of 32 nodes can be connected to one network segment.

Repeaters divide network segments.

NOTE

Each repeater functions as a node within the segment in which it is installed. Each node connected within a given network must have a unique node address, across all segments.

Terminate each segment at both ends, using either the termination switch (S801) of the frequency converters or a biased termination resistor network. Always use screened twisted pair (STP) cable for bus cabling, and always follow good common installation practice.

Low-impedance earth connection of the screen at every node is important, including at high frequencies. Thus, connect a large surface of the screen to earth, for example with a cable clamp or a conductive cable gland. It may be necessary to apply potential-equalizing cables to maintain the same earth potential throughout the network - particularly in installations with long cables.

To prevent impedance mismatch, always use the same type of cable throughout the entire network. When connecting a motor to the frequency converter, always use screened motor cable.

| | |
|--------------|---|
| Cable | Screened twisted pair (STP) |
| Impedance | 120 Ω |
| Cable length | Max. 1200 m (including drop lines) Max. 500 m station-to-station |

Table 8.1

8.1.2 Network Connection

Connect the frequency converter to the RS-485 network as follows (see also diagram):

1. Connect signal wires to terminal 68 (P+) and terminal 69 (N-) on the main control board of the frequency converter.
2. Connect the cable screen to the cable clamps.

NOTE

Screened, twisted-pair cables are recommended in order to reduce noise between conductors.

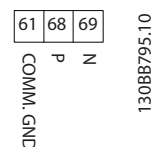


Illustration 8.1

8.1.3 Frequency Converter Hardware Set-up

Use the terminator dip switch on the main control board of the frequency converter to terminate the RS-485 bus.

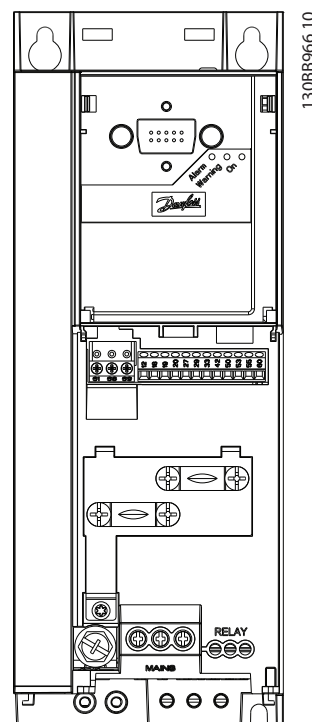


Illustration 8.2 Terminator Switch Factory Setting

The factory setting for the dip switch is OFF.

8.1.4 EMC Precautions

The following EMC precautions are recommended in order to achieve interference-free operation of the RS-485 network.

Relevant national and local regulations, for example regarding protective earth connection, must be observed. The RS-485 communication cable must be kept away from motor and brake resistor cables to avoid coupling of high frequency noise from one cable to another. Normally a distance of 200 mm (8 inches) is sufficient, but keeping the greatest possible distance between the cables is generally recommended, especially where cables run in parallel over long distances. When crossing is unavoidable, the RS-485 cable must cross motor and brake resistor cables at an angle of 90 degrees.

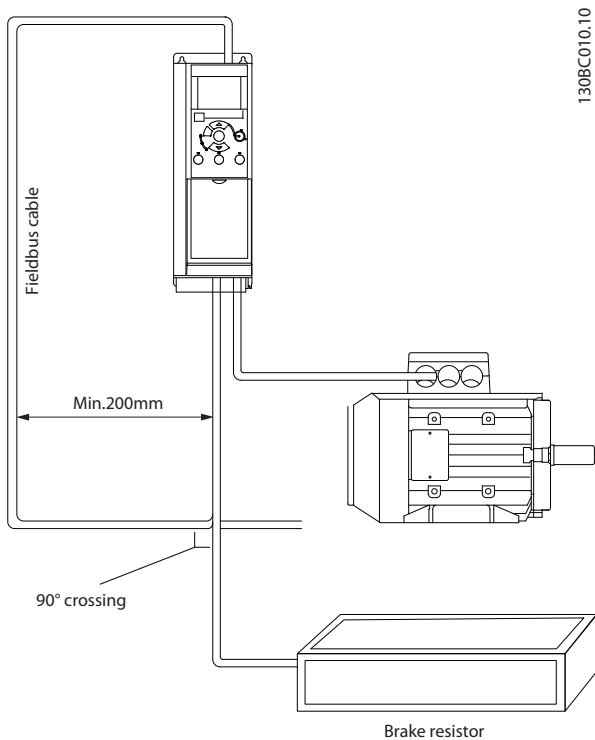


Illustration 8.3

8.1.5 Frequency Converter Parameter Settings for Modbus Communication

The following parameters apply to the RS-485 interface (FC-port):

| Parameter | Function |
|-----------------------------|--|
| 8-30 Protocol | Select the application protocol to run on the RS-485 interface |
| 8-31 Address | Set the node address. NOTE The address range depends on the protocol selected in 8-30 Protocol |
| 8-32 Baud Rate | Set the baud rate. NOTE The default baud rate depends on the protocol selected in 8-30 Protocol |
| 8-33 Parity / Stop Bits | Set the parity and number of stop bits. NOTE The default selection depends on the protocol selected in 8-30 Protocol |
| 8-35 Minimum Response Delay | Specify a minimum delay time between receiving a request and transmitting a response. This function is for overcoming modem turnaround delays. |
| 8-36 Maximum Response Delay | Specify a maximum delay time between transmitting a request and receiving a response. |

Table 8.2

8.2 FC Protocol Overview

The FC protocol, also referred to as FC bus or Standard bus, is the Danfoss standard fieldbus. It defines an access technique according to the master-slave principle for communications via a serial bus.

One master and a maximum of 126 slaves can be connected to the bus. The master selects the individual slaves via an address character in the telegram. A slave itself can never transmit without first being requested to do so, and direct message transfer between the individual slaves is not possible. Communications occur in the half-duplex mode.

The master function cannot be transferred to another node (single-master system).

The physical layer is RS-485, thus utilizing the RS-485 port built into the frequency converter. The FC protocol supports different telegram formats:

- A short format of 8 bytes for process data.
- A long format of 16 bytes that also includes a parameter channel.
- A format used for texts.

8.2.1 FC with Modbus RTU

The FC protocol provides access to the Control Word and Bus Reference of the frequency converter.

The Control Word allows the Modbus master to control several important functions of the frequency converter.

- Start
- Stop of the frequency converter in various ways:
 - Coast stop
 - Quick stop
 - DC Brake stop
 - Normal (ramp) stop
- Reset after a fault trip
- Run at various preset speeds
- Run in reverse
- Change of the active set-up
- Control of the 2 relays built into the frequency converter

The Bus Reference is commonly used for speed control. It is also possible to access the parameters, read their values, and where possible, write values to them. This permits a range of control options, including controlling the setpoint of the frequency converter when its internal PI controller is used.

8.3 Network Configuration

8.3.1 Frequency Converter Set-up

Set the following parameters to enable the FC protocol for the frequency converter.

| Parameter | Setting |
|-------------------------|-----------------------------------|
| 8-30 Protocol | FC |
| 8-31 Address | 1-126 |
| 8-32 Baud Rate | 2400-115200 |
| 8-33 Parity / Stop Bits | Even parity, 1 stop bit (default) |

Table 8.3

8.4 FC Protocol Message Framing Structure

8.4.1 Content of a Character (byte)

Each character transferred begins with a start bit. Then 8 data bits are transferred, corresponding to a byte. Each character is secured via a parity bit. This bit is set at "1" when it reaches parity. Parity is when there is an equal number of 1s in the 8 data bits and the parity bit in total. A stop bit completes a character, thus consisting of 11 bits in all.

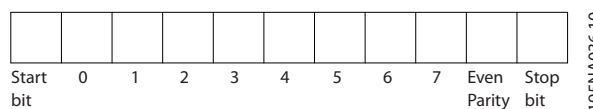


Illustration 8.4

8.4.2 Telegram Structure

Each telegram has the following structure:

1. Start character (STX)=02 Hex
2. A byte denoting the telegram length (LGE)
3. A byte denoting the frequency converter address (ADR)

A number of data bytes (variable, depending on the type of telegram) follows.

A data control byte (BCC) completes the telegram.

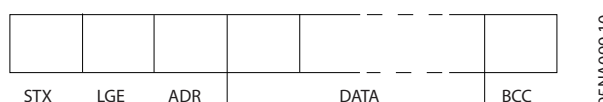


Illustration 8.5

8.4.3 Telegram Length (LGE)

The telegram length is the number of data bytes plus the address byte ADR and the data control byte BCC.

| | |
|----------------------------|-----------------------|
| 4 data bytes | $LGE=4+1+1=6$ bytes |
| 12 data bytes | $LGE=12+1+1=14$ bytes |
| Telegrams containing texts | $10^{1)}+n$ bytes |

Table 8.4 Length of Telegrams

¹⁾ The 10 represents the fixed characters, while the "n" is variable (depending on the length of the text).

8.4.4 Frequency Converter Address (ADR)

Address format 1-126

Bit 7=1 (address format 1-126 active)

Bit 0-6=frequency converter address 1-126

Bit 0-6=0 Broadcast

The slave returns the address byte unchanged to the master in the response telegram.

The 3 types of telegram are:

Process block (PCD)

The PCD is made up of a data block of 4 bytes (2 words) and contains:

- Control word and reference value (from master to slave)
- Status word and present output frequency (from slave to master)

8.4.5 Data Control Byte (BCC)

The checksum is calculated as an XOR-function. Before the first byte in the telegram is received, the Calculated Checksum is 0.

8.4.6 The Data Field

The structure of data blocks depends on the type of telegram. There are three telegram types, and the type applies for both control telegrams (master⇒slave) and response telegrams (slave⇒master).

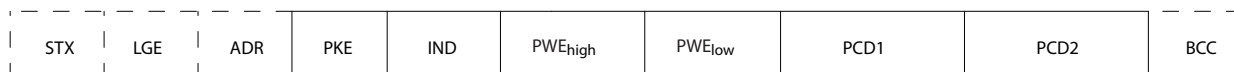


130BA269.10

Illustration 8.6

Parameter block

The parameter block is used to transfer parameters between master and slave. The data block is made up of 12 bytes (6 words) and also contains the process block.

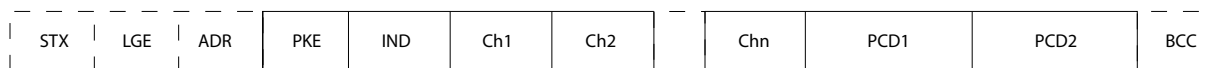


130BA271.10

Illustration 8.7

Text block

The text block is used to read or write texts via the data block.



130BA270.10

Illustration 8.8

8.4.7 The PKE Field

The PKE field contains two subfields: Parameter command and response (AK) and Parameter number (PNU):

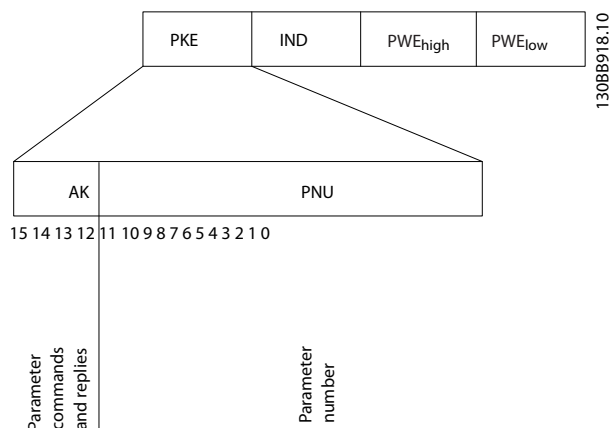


Illustration 8.9

Bits no. 12-15 transfer parameter commands from master to slave and return processed slave responses to the master.

| Parameter commands master ⇒ slave | | | | |
|-----------------------------------|----|----|----|---|
| Bit no. | | | | Parameter command |
| 15 | 14 | 13 | 12 | |
| 0 | 0 | 0 | 0 | No command |
| 0 | 0 | 0 | 1 | Read parameter value |
| 0 | 0 | 1 | 0 | Write parameter value in RAM (word) |
| 0 | 0 | 1 | 1 | Write parameter value in RAM (double word) |
| 1 | 1 | 0 | 1 | Write parameter value in RAM and EEPROM (double word) |
| 1 | 1 | 1 | 0 | Write parameter value in RAM and EEPROM (word) |
| 1 | 1 | 1 | 1 | Read text |

Table 8.5

| Response slave ⇒ master | | | | |
|-------------------------|----|----|----|---|
| Bit no. | | | | Response |
| 15 | 14 | 13 | 12 | |
| 0 | 0 | 0 | 0 | No response |
| 0 | 0 | 0 | 1 | Parameter value transferred (word) |
| 0 | 0 | 1 | 0 | Parameter value transferred (double word) |
| 0 | 1 | 1 | 1 | Command cannot be performed |
| 1 | 1 | 1 | 1 | text transferred |

Table 8.6

If the command cannot be performed, the slave sends this response:

0111 Command cannot be performed

- and issues the following fault report in the parameter value:

| Error code | FC+ Specification |
|------------|--------------------------------------|
| 0 | Illegal Parameter Number |
| 1 | Parameter cannot be changed. |
| 2 | Upper or lower limit exceeded |
| 3 | Subindex corrupted |
| 4 | No Array |
| 5 | Wrong Data Type |
| 6 | Not used |
| 7 | Not used |
| 9 | Description element not available |
| 11 | No parameter write access |
| 15 | No text available |
| 17 | Not while Running |
| 18 | Other error |
| 100 | |
| >100 | |
| 130 | No bus access for this parameter |
| 131 | Write to factory set-up not possible |
| 132 | No LCP access |
| 252 | Unknown viewer |
| 253 | Request not supported |
| 254 | Unknown attribute |
| 255 | No error |

Table 8.7

8.4.8 Parameter Number (PNU)

Bits no. 0-11 transfer parameter numbers. The function of the relevant parameter is defined in the parameter description in the *VLT Micro Drive Programming Guide, MG02C*.

8.4.9 Index (IND)

The index is used together with the parameter number to read/write-access parameters with an index, for example, *15-30 Alarm Log: Error Code*. The index consists of 2 bytes; a low byte, and a high byte.

Only the low byte is used as an index.

8.4.10 Parameter Value (PWE)

The parameter value block consists of 2 words (4 bytes), and the value depends on the defined command (AK). The master prompts for a parameter value when the PWE block contains no value. To change a parameter value (write), write the new value in the PWE block and send from the master to the slave.

When a slave responds to a parameter request (read command), the present parameter value in the PWE block is transferred and returned to the master. If a parameter contains several data options, e.g. *0-01 Language*, select the data value by entering the value in the PWE block. Serial communication is only capable of reading parameters containing data type 9 (text string).

15-40 FC Type to *15-53 Power Card Serial Number* contain data type 9.

For example, read the unit size and mains voltage range in *15-40 FC Type*. When a text string is transferred (read), the length of the telegram is variable, and the texts are of different lengths. The telegram length is defined in the second byte of the telegram (LGE). When using text transfer, the index character indicates whether it is a read or a write command.

To read a text via the PWE block, set the parameter command (AK) to 'F' Hex. The index character high-byte must be "4".

8.4.11 Data Types Supported by the Frequency Converter

Unsigned means that there is no operational sign in the telegram.

| Data types | Description |
|------------|-------------|
| 3 | Integer 16 |
| 4 | Integer 32 |
| 5 | Unsigned 8 |
| 6 | Unsigned 16 |
| 7 | Unsigned 32 |
| 9 | Text string |

Table 8.8

8.4.12 Conversion

The various attributes of each parameter are displayed in the section Factory Settings. Parameter values are transferred as whole numbers only. Conversion factors are therefore used to transfer decimals.

4-12 Motor Speed Low Limit [Hz] has a conversion factor of 0.1.

To preset the minimum frequency to 10 Hz, transfer the value 100. A conversion factor of 0.1 means that the value transferred is multiplied by 0.1. The value 100 is thus perceived as 10.0.

| Conversion index | Conversion factor |
|------------------|-------------------|
| 74 | 0.1 |
| 2 | 100 |
| 1 | 10 |
| 0 | 1 |
| -1 | 0.1 |
| -2 | 0.01 |
| -3 | 0.001 |
| -4 | 0.0001 |
| -5 | 0.00001 |

Table 8.9

8.4.13 Process Words (PCD)

The block of process words is divided into two blocks of 16 bits, which always occur in the defined sequence.

| PCD 1 | PCD 2 |
|--|--------------------------|
| Control telegram (master→slave Control word) | Reference-value |
| Control telegram (slave→master) Status word | Present output frequency |

Table 8.10

8.5 Examples

8.5.1 Writing a Parameter Value

Change *4-14 Motor Speed High Limit [Hz]* to 100 Hz. Write the data in EEPROM.

PKE=E19E Hex - Write single word in *4-14 Motor Speed High Limit [Hz]*:

IND=0000 Hex

PWEHIGH=0000 Hex

PWELOW=03E8 Hex

Data value 1000, corresponding to 100 Hz, see *8.4.12 Conversion*.

The telegram looks like this:

| | | | | | | | |
|------|---|------|---|---------------------|---|--------------------|---|
| E19E | H | 0000 | H | 0000 | H | 03E8 | H |
| PKE | | IND | | PWE _{high} | | PWE _{low} | |

Illustration 8.10

130BA092.10

NOTE

4-14 Motor Speed High Limit [Hz] is a single word, and the parameter command for write in EEPROM is "E". Parameter 4-14 is 19E in hexadecimal.

The response from the slave to the master is:

| | | | | | | | |
|------|---|------|---|---------------------|---|--------------------|---|
| 119E | H | 0000 | H | 0000 | H | 03E8 | H |
| PKE | | IND | | PWE _{high} | | PWE _{low} | |

Illustration 8.11

130BA093.10

8

8.5.2 Reading a Parameter Value

Read the value in 3-41 Ramp 1 Ramp up Time

PKE=1155 Hex - Read parameter value in 3-41 Ramp 1 Ramp up Time
 IND=0000 Hex
 PWE_{HIGH}=0000 Hex
 PWE_{LOW}=0000 Hex

| | | | | | | | |
|------|---|------|---|---------------------|---|--------------------|---|
| 1155 | H | 0000 | H | 0000 | H | 0000 | H |
| PKE | | IND | | PWE _{high} | | PWE _{low} | |

Illustration 8.12

130BA094.10

If the value in 3-41 Ramp 1 Ramp up Time is 10 s, the response from the slave to the master is:

| | | | | | | | |
|------|---|------|---|---------------------|---|--------------------|---|
| 1155 | H | 0000 | H | 0000 | H | 03E8 | H |
| PKE | | IND | | PWE _{high} | | PWE _{low} | |

Illustration 8.13

130BA267.10

3E8 Hex corresponds to 1000 decimal. The conversion index for 3-41 Ramp 1 Ramp up Time is -2, that is, 0.01. 3-41 Ramp 1 Ramp up Time is of the type Unsigned 32.

8.6 Modbus RTU Overview

8.6.1 Assumptions

Danfoss assumes that the installed controller supports the interfaces in this document, and strictly observe all requirements and limitations stipulated in the controller and frequency converter.

8.6.2 What the User Should Already Know

The Modbus RTU (Remote Terminal Unit) is designed to communicate with any controller that supports the interfaces defined in this document. It is assumed that the user has full knowledge of the capabilities and limitations of the controller.

8.6.3 Modbus RTU Overview

Regardless of the type of physical communication networks, the Modbus RTU Overview describes the process a controller uses to request access to another device. This process includes how the Modbus RTU responds to requests from another device, and how errors are detected and reported. It also establishes a common format for the layout and contents of message fields. During communications over a Modbus RTU network, the protocol determines:

- How each controller learns its device address
- Recognizes a message addressed to it
- Determines which actions to take
- Extracts any data or other information contained in the message

If a reply is required, the controller constructs the reply message and sends it.

Controllers communicate using a master-slave technique in which only one device (the master) can initiate transactions (called queries). The other devices (slaves) respond by supplying the requested data to the master, or by taking the action requested in the query.

The master can address individual slaves, or can initiate a broadcast message to all slaves. Slaves return a message (called a response) to queries that are addressed to them individually. No responses are returned to broadcast queries from the master. The Modbus RTU protocol establishes the format for the master's query by placing into it the device (or broadcast) address, a function code defining the requested action, any data to be sent, and an error-checking field. The slave's response message is also constructed using Modbus protocol. It contains fields confirming the action taken, any data to be returned, and an error-checking field. If an error occurs in receipt of the message, or if the slave is unable to perform the requested

action, the slave constructs an error message, and send it in response, or a time-out occurs.

8.6.4 Frequency Converter with Modbus RTU

The frequency converter communicates in Modbus RTU format over the built-in RS-485 interface. Modbus RTU provides access to the Control Word and Bus Reference of the frequency converter.

The Control Word allows the Modbus master to control several important functions of the frequency converter:

- Start
- Stop of the frequency converter in various ways:
 - Coast stop
 - Quick stop
 - DC Brake stop
 - Normal (ramp) stop
- Reset after a fault trip
- Run at a variety of preset speeds
- Run in reverse
- Change the active set-up
- Control the frequency converter's built-in relay

The Bus Reference is commonly used for speed control. It is also possible to access the parameters, read their values, and where possible, write values to them. This permits a range of control options, including controlling the setpoint of the frequency converter when its internal PI controller is used.

8.7 Network Configuration

To enable Modbus RTU on the frequency converter, set the following parameters:

| Parameter | Setting |
|-------------------------|-----------------------------------|
| 8-30 Protocol | Modbus RTU |
| 8-31 Address | 1-247 |
| 8-32 Baud Rate | 2400-115200 |
| 8-33 Parity / Stop Bits | Even parity, 1 stop bit (default) |

Table 8.11

8.8 Modbus RTU Message Framing Structure

8.8.1 Frequency Converter with Modbus RTU

The controllers are set up to communicate on the Modbus network using RTU (Remote Terminal Unit) mode, with each byte in a message containing 2 4-bit hexadecimal characters. The format for each byte is shown in *Table 8.12*.

| Start bit | Data byte | | | | | | Stop/parity | Stop |
|-----------|-----------|--|--|--|--|--|-------------|------|
| | | | | | | | | |

Table 8.12 Format for Each Byte

| | |
|-------------------|--|
| Coding System | 8-bit binary, hexadecimal 0-9, A-F. 2 hexadecimal characters contained in each 8-bit field of the message |
| Bits Per Byte | 1 start bit 8 data bits, least significant bit sent first 1 bit for even/odd parity; no bit for no parity 1 stop bit if parity is used; 2 bits if no parity |
| Error Check Field | Cyclical Redundancy Check (CRC) |

Table 8.13

8.8.2 Modbus RTU Message Structure

The transmitting device places a Modbus RTU message into a frame with a known beginning and ending point. This allows receiving devices to begin at the start of the message, read the address portion, determine which device is addressed (or all devices, if the message is broadcast), and to recognise when the message is completed. Partial messages are detected and errors set as a result. Characters for transmission must be in hexadecimal 00 to FF format in each field. The frequency converter continuously monitors the network bus, also during 'silent' intervals. When the first field (the address field) is received, each frequency converter or device decodes it to determine which device is being addressed. Modbus RTU messages addressed to zero are broadcast messages. No response is permitted for broadcast messages. A typical message frame is shown in *Table 8.14*.

| Start | Address | Function | Data | CRC check | End |
|-------------|---------|----------|------------|-----------|-------------|
| T1-T2-T3-T4 | 8 bits | 8 bits | N x 8 bits | 16 bits | T1-T2-T3-T4 |

Table 8.14 Typical Modbus RTU Message Structure

8.8.3 Start/Stop Field

Messages start with a silent period of at least 3.5 character intervals. This is implemented as a multiple of character intervals at the selected network baud rate (shown as Start T1-T2-T3-T4). The first field to be transmitted is the device address. Following the last transmitted character, a similar period of at least 3.5 character intervals marks the end of the message. A new message can begin after this period. The entire message frame must be transmitted as a continuous stream. If a silent period of more than 1.5 character intervals occurs before completion of the frame, the receiving device flushes the incomplete message and assumes that the next byte is the address field of a new message. Similarly, if a new message begins prior to 3.5 character intervals after a previous message, the receiving device will consider it a continuation of the previous message. This causes a time-out (no response from the slave), since the value in the final CRC field is not valid for the combined messages.

8

8.8.4 Address Field

The address field of a message frame contains 8 bits. Valid slave device addresses are in the range of 0-247 decimal. The individual slave devices are assigned addresses in the range of 1-247. (0 is reserved for broadcast mode, which all slaves recognize.) A master addresses a slave by placing the slave address in the address field of the message. When the slave sends its response, it places its own address in this address field to let the master know which slave is responding.

8.8.5 Function Field

The function field of a message frame contains 8 bits. Valid codes are in the range of 1-FF. Function fields are used to send messages between master and slave. When a message is sent from a master to a slave device, the function code field tells the slave what kind of action to perform. When the slave responds to the master, it uses the function code field to indicate either a normal (error-free) response, or that some kind of error occurred (called an exception response). For a normal response, the slave simply echoes the original function code. For an exception response, the slave returns a code that is equivalent to the original function code with its most significant bit set to logic 1. In addition, the slave places a unique code into the data field of the response message. This tells the master what kind of error occurred, or the reason for the exception. Also refer to the sections *8.8.10 Function Codes Supported by Modbus RTU* and *8.8.11 Modbus Exception Codes*.

8.8.6 Data Field

The data field is constructed using sets of two hexadecimal digits, in the range of 00 to FF hexadecimal. These are made up of one RTU character. The data field of messages sent from a master to slave device contains additional information which the slave must use to take the action defined by the function code. This can include items such as coil or register addresses, the quantity of items to be handled, and the count of actual data bytes in the field.

8.8.7 CRC Check Field

Messages include an error-checking field, operating based on a Cyclical Redundancy Check (CRC) method. The CRC field checks the contents of the entire message. It is applied regardless of any parity check method used for the individual characters of the message. The CRC value is calculated by the transmitting device, which appends the CRC as the last field in the message. The receiving device recalculates a CRC during receipt of the message and compares the calculated value to the actual value received in the CRC field. If the two values are unequal, a bus time-out results. The error-checking field contains a 16-bit binary value implemented as two 8-bit bytes. When this is done, the low-order byte of the field is appended first, followed by the high-order byte. The CRC high-order byte is the last byte sent in the message.

8.8.8 Coil Register Addressing

In Modbus, all data are organized in coils and holding registers. Coils hold a single bit, whereas holding registers hold a 2-byte word (that is, 16 bits). All data addresses in Modbus messages are referenced to zero. The first occurrence of a data item is addressed as item number zero. For example: The coil known as 'coil 1' in a programmable controller is addressed as coil 0000 in the data address field of a Modbus message. Coil 127 decimal is addressed as coil 007EHEX (126 decimal). Holding register 40001 is addressed as register 0000 in the data address field of the message. The function code field already specifies a 'holding register' operation. Therefore, the '4XXXX' reference is implicit. Holding register 40108 is addressed as register 006BHEX (107 decimal).

| Coil Number | Description | Signal Direction |
|-------------|---|------------------|
| 1-16 | Frequency converter control word (see Table 8.16) | Master to slave |
| 17-32 | Frequency converter speed or set-point reference Range 0x0-0xFFFF (-200% ... -200%) | Master to slave |
| 33-48 | Frequency converter status word (see Table 8.16 and Table 8.17) | Slave to master |
| 49-64 | Open loop mode: Frequency converter output frequency Closed loop mode: Frequency converter feedback signal | Slave to master |
| 65 | Parameter write control (master to slave) | Master to slave |
| | 0= Parameter changes are written to the RAM of the frequency converter | |
| | 1= Parameter changes are written to the RAM and EEPROM of the frequency converter. | |
| 66-65536 | Reserved | |

Table 8.15

| Coil | 0 | 1 |
|------|----------------------|-----------------|
| 01 | Preset reference LSB | |
| 02 | Preset reference MSB | |
| 03 | DC brake | No DC brake |
| 04 | Coast stop | No coast stop |
| 05 | Quick stop | No quick stop |
| 06 | Freeze freq. | No freeze freq. |
| 07 | Ramp stop | Start |
| 08 | No reset | Reset |
| 09 | No jog | Jog |
| 10 | Ramp 1 | Ramp 2 |
| 11 | Data not valid | Data valid |
| 12 | Relay 1 off | Relay 1 on |
| 13 | Relay 2 off | Relay 2 on |
| 14 | Set up LSB | |
| 15 | | |
| 16 | No reversing | Reversing |

Table 8.16 Frequency Converter Control Word (FC Profile)

| Coil | 0 | 1 |
|------|-------------------------------|---------------------------|
| 33 | Control not ready | Control ready |
| 34 | Frequency converter not ready | Frequency converter ready |
| 35 | Coasting stop | Safety closed |
| 36 | No alarm | Alarm |
| 37 | Not used | Not used |
| 38 | Not used | Not used |
| 39 | Not used | Not used |
| 40 | No warning | Warning |
| 41 | Not at reference | At reference |
| 42 | Hand mode | Auto mode |
| 43 | Out of freq. range | In frequency range |
| 44 | Stopped | Running |
| 45 | Not used | Not used |
| 46 | No voltage warning | Voltage warning |
| 47 | Not in current limit | Current limit |
| 48 | No thermal warning | Thermal warning |

Table 8.17 Frequency Converter Status Word (FC Profile)

| Bus address | Bus register ¹ | PLC Register | Content | Access | Description |
|-------------|---------------------------|--------------|---------------------|-------------------------------|--|
| 0 | 1 | 40001 | Reserved | | Reserved for Legacy Drives VLT 5000 and VLT 2800 |
| 1 | 2 | 40002 | Reserved | | Reserved for Legacy Drives VLT 5000 and VLT 2800 |
| 2 | 3 | 40003 | Reserved | | Reserved for Legacy Drives VLT 5000 and VLT 2800 |
| 3 | 4 | 40004 | Free | | |
| 4 | 5 | 40005 | Free | | |
| 5 | 6 | 40006 | Modbus conf | Read/Write | TCP only. Reserved for Modbus TCP (p12-28 and 12-29 - store in Eeprom etc.) |
| 6 | 7 | 40007 | Last error code | Read only | Error code recieved from parameter database, refer to WHAT 38295 for details |
| 7 | 8 | 40008 | Last error register | Read only | Address of register with which last error occurred, refer to WHAT 38296 for details |
| 8 | 9 | 40009 | Index pointer | Read/Write | Sub index of parameter to be accessed. Refer to WHAT 38297 for details |
| 9 | 10 | 40010 | FC par. 0-01 | Dependent on parameter access | Parameter 0-01 (Modbus Register=10 parameter number 20 bytes space reserved pr parameter in Modbus Map |
| 19 | 20 | 40020 | FC par. 0-02 | Dependent on parameter access | Parameter 0-02 20 bytes space reserved pr parameter in Modbus Map |
| 29 | 30 | 40030 | FC par. xx-xx | Dependent on parameter access | Parameter 0-03 20 bytes space reserved pr parameter in Modbus Map |

Table 8.18

¹⁾ Value written in Modbus RTU telegram must be one or less than register number. E.g. Read Modbus Register 1 by writing value 0 in telegram.

8.8.9 How to Control the Frequency Converter

This section describes codes which can be used in the function and data fields of a Modbus RTU message.

8.8.10 Function Codes Supported by Modbus RTU

Modbus RTU supports use of the following function codes in the function field of a message.

| Function | Function Code |
|--------------------------|---------------|
| Read coils | 1 hex |
| Read holding registers | 3 hex |
| Write single coil | 5 hex |
| Write single register | 6 hex |
| Write multiple coils | F hex |
| Write multiple registers | 10 hex |
| Get comm. event counter | B hex |
| Report slave ID | 11 hex |

Table 8.19

| Function | Function Code | Sub-function code | Sub-function |
|-------------|---------------|-------------------|--|
| Diagnostics | 8 | 1 | Restart communication |
| | | 2 | Return diagnostic register |
| | | 10 | Clear counters and diagnostic register |
| | | 11 | Return bus message count |
| | | 12 | Return bus communication error count |
| | | 13 | Return bus exception error count |
| | | 14 | Return slave message count |

Table 8.20

8.8.11 Modbus Exception Codes

For a full explanation of the structure of an exception code response, refer to 8.8.5 *Function Field*.

| Code | Name | Meaning |
|------|------------------|--|
| 1 | Illegal function | The function code received in the query is not an allowable action for the server (or slave). This may be because the function code is only applicable to newer devices, and was not implemented in the unit selected. It could also indicate that the server (or slave) is in the wrong state to process a request of this type, for example because it is not configured and is being asked to return register values. |

| Code | Name | Meaning |
|------|----------------------|---|
| 2 | Illegal data address | The data address received in the query is not an allowable address for the server (or slave). More specifically, the combination of reference number and transfer length is invalid. For a controller with 100 registers, a request with offset 96 and length 4 would succeed, a request with offset 96 and length 5 generates exception 02. |
| 3 | Illegal data value | A value contained in the query data field is not an allowable value for server (or slave). This indicates a fault in the structure of the remainder of a complex request, such as that the implied length is incorrect. It specifically does NOT mean that a data item submitted for storage in a register has a value outside the expectation of the application program, since the Modbus protocol is unaware of the significance of any particular value of any particular register. |
| 4 | Slave device failure | An unrecoverable error occurred while the server (or slave) was attempting to perform the requested action. |

Table 8.21 Modbus Exception Codes

8.9 How to Access Parameters

8.9.1 Parameter Handling

The PNU (Parameter Number) is translated from the register address contained in the Modbus read or write message. The parameter number is translated to Modbus as (10 x parameter number) DECIMAL.

8.9.2 Storage of Data

The Coil 65 decimal determines whether data written to the frequency converter are stored in EEPROM and RAM (coil 65=1) or only in RAM (coil 65=0).

8.9.3 IND

The array index is set in Holding Register 9 and used when accessing array parameters.

8.9.4 Text Blocks

Parameters stored as text strings are accessed in the same way as the other parameters. The maximum text block size is 20 characters. If a read request for a parameter is for more characters than the parameter stores, the response is truncated. If the read request for a parameter is for fewer

characters than the parameter stores, the response is space filled.

8.9.5 Conversion Factor

The different attributes for each parameter can be seen in the section on factory settings. Since a parameter value can only be transferred as a whole number, a conversion factor must be used to transfer decimals. Refer to the *7.4 Quick Menu Parameters*.

8.9.6 Parameter Values

Standard data types

Standard data types are int16, int32, uint8, uint16 and uint32. They are stored as 4x registers (40001–4FFFF). The parameters are read using function 03HEX "Read Holding Registers." Parameters are written using the function 6HEX "Preset Single Register" for 1 register (16 bits), and the function 10HEX "Preset Multiple Registers" for 2 registers (32 bits). Readable sizes range from 1 register (16 bits) up to 10 registers (20 characters).

Non standard data types

Non standard data types are text strings and are stored as 4x registers (40001–4FFFF). The parameters are read using function 03HEX "Read Holding Registers" and written using function 10HEX "Preset Multiple Registers." Readable sizes range from 1 register (2 characters) up to 10 registers (20 characters).

8.10 Examples

The following examples illustrate various Modbus RTU commands. If an error occurs, refer to *8.8.11 Modbus Exception Codes*.

8.10.1 Read Coil Status (01 HEX)

Description

This function reads the ON/OFF status of discrete outputs (coils) in the frequency converter. Broadcast is never supported for reads.

Query

The query message specifies the starting coil and quantity of coils to be read. Coil addresses start at zero, that is, coil 33 is addressed as 32.

Example of a request to read coils 33-48 (Status Word) from slave device 01.

| Field Name | Example (HEX) |
|---------------------|----------------------------------|
| Slave Address | 01 (frequency converter address) |
| Function | 01 (read coils) |
| Starting Address HI | 00 |
| Starting Address LO | 20 (32 decimals) Coil 33 |
| No. of Points HI | 00 |
| No. of Points LO | 10 (16 decimals) |
| Error Check (CRC) | - |

Table 8.22

Response

The coil status in the response message is packed as one coil per bit of the data field. Status is indicated as: 1=ON; 0=OFF. The LSB of the first data byte contains the coil addressed in the query. The other coils follow toward the high order end of this byte, and from 'low order to high order' in subsequent bytes.

If the returned coil quantity is not a multiple of eight, the remaining bits in the final data byte is padded with zeros (toward the high order end of the byte). The Byte Count field specifies the number of complete bytes of data.

| Field Name | Example (HEX) |
|--------------------|----------------------------------|
| Slave Address | 01 (frequency converter address) |
| Function | 01 (read coils) |
| Byte Count | 02 (2 bytes of data) |
| Data (Coils 40-33) | 07 |
| Data (Coils 48-41) | 06 (STW=0607hex) |
| Error Check (CRC) | - |

Table 8.23

NOTE

Coils and registers are addressed explicit with an off-set of -1 in Modbus.

i.e. Coil 33 is addressed as Coil 32.

8.10.2 Force/Write Single Coil (05 HEX)

Description

This function forces the coil to either ON or OFF. When broadcast the function forces the same coil references in all attached slaves.

Query

The query message specifies the coil 65 (parameter write control) to be forced. Coil addresses start at zero, that is, coil 65 is addressed as 64. Force Data=00 00HEX (OFF) or FF 00HEX (ON).

| Field Name | Example (HEX) |
|-------------------|----------------------------------|
| Slave Address | 01 (Frequency converter address) |
| Function | 05 (write single coil) |
| Coil Address HI | 00 |
| Coil Address LO | 40 (64 decimal) Coil 65 |
| Force Data HI | FF |
| Force Data LO | 00 (FF 00=ON) |
| Error Check (CRC) | - |

Table 8.24

Response

The normal response is an echo of the query, returned after the coil state has been forced.

| Field Name | Example (HEX) |
|----------------------|---------------|
| Slave Address | 01 |
| Function | 05 |
| Force Data HI | FF |
| Force Data LO | 00 |
| Quantity of Coils HI | 00 |
| Quantity of Coils LO | 01 |
| Error Check (CRC) | - |

Table 8.25

8.10.3 Force/Write Multiple Coils (0F HEX)

This function forces each coil in a sequence of coils to either ON or OFF. When broadcast the function forces the same coil references in all attached slaves.

The query message specifies the coils 17 to 32 (speed set-point) to be forced.

| Field Name | Example (HEX) |
|----------------------------|----------------------------------|
| Slave Address | 01 (frequency converter address) |
| Function | 0F (write multiple coils) |
| Coil Address HI | 00 |
| Coil Address LO | 10 (coil address 17) |
| Quantity of Coils HI | 00 |
| Quantity of Coils LO | 10 (16 coils) |
| Byte Count | 02 |
| Force Data HI (Coils 8-1) | 20 |
| Force Data LO (Coils 16-9) | 00 (ref.=2000 hex) |
| Error Check (CRC) | - |

Table 8.26

Response

The normal response returns the slave address, function code, starting address, and quantity of coils forced.

| Field Name | Example (HEX) |
|----------------------|----------------------------------|
| Slave Address | 01 (frequency converter address) |
| Function | 0F (write multiple coils) |
| Coil Address HI | 00 |
| Coil Address LO | 10 (coil address 17) |
| Quantity of Coils HI | 00 |
| Quantity of Coils LO | 10 (16 coils) |
| Error Check (CRC) | - |

Table 8.27

8.10.4 Read Holding Registers (03 HEX)

Description

This function reads the contents of holding registers in the slave.

Query

The query message specifies the starting register and quantity of registers to be read. Register addresses start at zero, that is, registers 1-4 are addressed as 0-3.

Example: Read 3-03 *Maximum Reference*, register 03030.

| Field Name | Example (HEX) |
|---------------------|--|
| Slave Address | 01 |
| Function | 03 (read holding registers) |
| Starting Address HI | 0B (Register address 3029) |
| Starting Address LO | 05 (Register address 3029) |
| No. of Points HI | 00 |
| No. of Points LO | 02 - (3-03 <i>Maximum Reference</i> is 32 bits long, i.e. 2 registers) |
| Error Check (CRC) | - |

Table 8.28

Response

The register data in the response message are packed as two bytes per register, with the binary contents right justified within each byte. For each register, the first byte contains the high-order bits and the second contains the low-order bits.

Example: Hex 000088B8=35.000=15 Hz.

| Field Name | Example (HEX) |
|----------------------------|---------------|
| Slave Address | 01 |
| Function | 03 |
| Byte Count | 04 |
| Data HI (Register 3030) | 00 |
| Data LO (Register 3030) | 16 |
| Data HI (Register 3031) | E3 |
| Data LO (Register 3031) | 60 |
| Error Check (CRC) | - |

Table 8.29

8.10.5 Preset Single Register (06 HEX)

Description

This function presets a value into a single holding register.

Query

The query message specifies the register reference to be preset. Register addresses start at zero, that is, register 1 is addressed as 0.

Example: Write to 1-00 *Configuration Mode*, register 1000.

| Field Name | Example (HEX) |
|---------------------|---------------------------|
| Slave Address | 01 |
| Function | 06 |
| Register Address HI | 03 (Register address 999) |
| Register Address LO | E7 (Register address 999) |
| Preset Data HI | 00 |
| Preset Data LO | 01 |
| Error Check (CRC) | - |

Table 8.30

Response

The normal response is an echo of the query, returned after the register contents have been passed.

| Field Name | Example (HEX) |
|---------------------|---------------|
| Slave Address | 01 |
| Function | 06 |
| Register Address HI | 03 |
| Register Address LO | E7 |
| Preset Data HI | 00 |
| Preset Data LO | 01 |
| Error Check (CRC) | - |

Table 8.31

8.10.6 Preset Multiple Registers (10 HEX)

Description

This function presets values into a sequence of holding registers.

Query

The query message specifies the register references to be preset. Register addresses start at zero, that is, register 1 is addressed as 0. Example of a request to preset two registers (set 1-24 Motor Current to 738 (7.38 A)):

| Field Name | Example (HEX) |
|-------------------------------------|---------------|
| Slave Address | 01 |
| Function | 10 |
| Starting Address HI | 04 |
| Starting Address LO | 19 |
| No. of Registers HI | 00 |
| No. of registers LO | 02 |
| Byte Count | 04 |
| Write Data HI (Register 4: 1049) | 00 |
| Write Data LO (Register 4: 1049) | 00 |
| Write Data HI (Register 4: 1050) | 02 |
| Write Data LO (Register 4: 1050) | E2 |
| Error Check (CRC) | - |

Table 8.32

Response

The normal response returns the slave address, function code, starting address, and quantity of registers preset.

| Field Name | Example (HEX) |
|---------------------|---------------|
| Slave Address | 01 |
| Function | 10 |
| Starting Address HI | 04 |
| Starting Address LO | 19 |
| No. of Registers HI | 00 |
| No. of registers LO | 02 |
| Error Check (CRC) | - |

Table 8.33

8.11 FC Drive Control Profile

8.11.1 Control Word According to FC Profile (8-10 Protocol = FC profile)

Modbus Holding Register numbers for Input data – CTW and REF – and Output data – STW and MAV – are defined in Table 8.34:

| | |
|-------------------|---|
| 50000 Input data | Frequency converter Control Word register (CTW) |
| 50010 Input data | Bus Reference register (REF) |
| 50200 Output data | Frequency converter Status Word register (STW) |
| 50210 Output data | Frequency converter Main Value register (MAV) |

Table 8.34

In VLT Micro Drives after the software version 2.32 the new feature has been implemented by copying the Input/ Output data to also be available in a lower holding register areas:

| | |
|-------------------|---|
| 02810 Input data | Frequency converter Control Word register (CTW) |
| 02811 Input data | Bus Reference register (REF) |
| 02910 Output data | Frequency converter Status Word register (STW) |
| 02911 Output data | Frequency converter Main Value register (MAV) |

Table 8.35

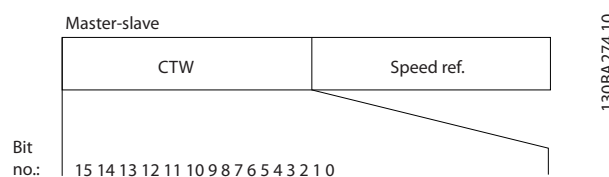


Illustration 8.14

| Bit | Bit value=0 | Bit value=1 |
|-----|-----------------------|------------------------|
| 00 | Reference value | external selection lsb |
| 01 | Reference value | external selection msb |
| 02 | DC brake | Ramp |
| 03 | Coasting | No coasting |
| 04 | Quick stop | Ramp |
| 05 | Hold output frequency | use ramp |
| 06 | Ramp stop | Start |
| 07 | No function | Reset |
| 08 | No function | Jog |
| 09 | Ramp 1 | Ramp 2 |
| 10 | Data invalid | Data valid |
| 11 | Relay 01 open | Relay 01 active |
| 12 | Relay 02 open | Relay 02 active |
| 13 | Parameter set-up | selection lsb |
| 15 | No function | Reverse |

Table 8.36

Explanation of the Control Bits

Bits 00/01

Bits 00 and 01 are used to choose between the four reference values, which are pre-programmed in 3-10 *Preset Reference* according to the Table 8.37.

| Programmed ref. value | Parameter | Bit 01 | Bit 00 |
|-----------------------|----------------------------------|--------|--------|
| 1 | 3-10 <i>Preset Reference</i> [0] | 0 | 0 |
| 2 | 3-10 <i>Preset Reference</i> [1] | 0 | 1 |
| 3 | 3-10 <i>Preset Reference</i> [2] | 1 | 0 |
| 4 | 3-10 <i>Preset Reference</i> [3] | 1 | 1 |

Table 8.37 Control bits

NOTE

Make a selection in 8-56 *Preset Reference Select* to define how Bit 00/01 gates with the corresponding function on the digital inputs.

Bit 02, DC brake

Bit 02='0' leads to DC braking and stop. Set braking current and duration in 2-01 *DC Brake Current* and 2-02 *DC Braking Time*.

Bit 02='1' leads to ramping.

Bit 03, Coasting

Bit 03='0': The frequency converter immediately "lets go" of the motor, (the output transistors are "shut off") and it coasts to a standstill.

Bit 03='1': The frequency converter starts the motor if the other starting conditions are met.

Make a selection in 8-50 *Coasting Select* to define how Bit 03 gates with the corresponding function on a digital input.

Bit 04, Quick stop

Bit 04='0': Makes the motor speed ramp down to stop (set in 3-81 *Quick Stop Ramp Time*).

Bit 05, Hold output frequency

Bit 05='0': The present output frequency (in Hz) freezes. Change the frozen output frequency only with the digital inputs (5-10 *Terminal 18 Digital Input* to 5-13 *Terminal 29 Digital Input*) programmed to *Speed up=21* and *Slow down=22*.

NOTE

If Freeze output is active, the frequency converter can only be stopped by the following:

- Bit 03 Coasting stop
- Bit 02 DC braking
- Digital input (5-10 *Terminal 18 Digital Input* to 5-13 *Terminal 29 Digital Input*) programmed to *DC braking=5*, *Coasting stop=2*, or *Reset and coasting stop=3*.

Bit 06, Ramp stop/start

Bit 06='0': Causes a stop and makes the motor speed ramp down to stop via the selected ramp down parameter. Bit 06='1': Permits the Frequency converter to start the motor, if the other starting conditions are met.

Make a selection in 8-53 *Start Select* to define how Bit 06 Ramp stop/start gates with the corresponding function on a digital input.

Bit 07, Reset Bit 07='0': No reset.

Bit 07='1': Resets a trip. Reset is activated on the signal's leading edge, i.e. when changing from logic '0' to logic '1'.

Bit 08, Jog

Bit 08='1': The output frequency is determined by 3-11 *Jog Speed [Hz]*.

Bit 09, Selection of ramp 1/2

Bit 09="0": Ramp 1 is active (3-41 *Ramp 1 Ramp up Time* to 3-42 *Ramp 1 Ramp Down Time*).

Bit 09="1": Ramp 2 (3-51 *Ramp 2 Ramp up Time* to 3-52 *Ramp 2 Ramp down Time*) is active.

Bit 10, Data not valid/Data valid

Tell the frequency converter whether to use or ignore the control word.

Bit 10='0': The control word is ignored. Bit 10='1': The control word is used. This function is relevant because the telegram always contains the control word, regardless of the telegram type. Turn off the control word if not wanting to use it when updating or reading parameters.

Bit 11, Relay 01

Bit 11="0": Relay not activated.

Bit 11="1": Relay 01 activated provided that *Control word bit 11=36* is chosen in *5-40 Function Relay*.

Bit 12, Relay 02

Bit 12="0": Relay 02 is not activated. Bit 12="1": Relay 02 is activated provided that *Control word bit 12=37* is chosen in *5-40 Function Relay*.

Bit 13, Selection of set-up

Use bit 13 to choose from the 2 menu set-ups according to the table.

| Set-up | Bit 13 |
|--------|--------|
| 1 | 0 |
| 2 | 1 |

Table 8.38

The function is only possible when *Multi Set-Ups=9* is selected in *0-10 Active Set-up*.

Make a selection in *8-55 Set-up Select* to define how Bit 13 gates with the corresponding function on the digital inputs.

Bit 15 Reverse

Bit 15='0': No reversing.

Bit 15='1': Reversing. In the default setting, reversing is set to digital in *8-54 Reversing Select*. Bit 15 causes reversing only when Ser. communication, Logic or Logic and is selected.

8.11.2 Status Word According to FC Profile (STW) (8-30 Protocol = FC profile)

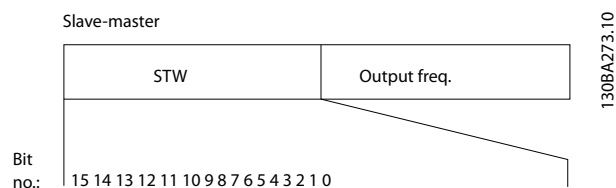


Illustration 8.15

| Bit | Bit=0 | Bit=1 |
|-----|------------------------|---------------------|
| 00 | Control not ready | Control ready |
| 01 | Drive not ready | Drive ready |
| 02 | Coasting | Enable |
| 03 | No error | Trip |
| 04 | No error | Error (no trip) |
| 05 | Reserved | - |
| 06 | No error | Triplock |
| 07 | No warning | Warning |
| 08 | Speed ≠ reference | Speed=reference |
| 09 | Local operation | Bus control |
| 10 | Out of frequency limit | Frequency limit OK |
| 11 | No operation | In operation |
| 12 | Drive OK | Stopped, auto start |
| 13 | Voltage OK | Voltage exceeded |
| 14 | Torque OK | Torque exceeded |
| 15 | Timer OK | Timer exceeded |

Table 8.39

Explanation of the status bits

Bit 00, Control not ready/ready

Bit 00='0': The frequency converter trips.

Bit 00='1': The frequency converter controls are ready but the power component does not necessarily receive any power supply (in case of external 24 V supply to controls).

Bit 01, Drive ready

Bit 01='1': The frequency converter is ready for operation but the coasting command is active via the digital inputs or via serial communication.

Bit 02, Coasting stop

Bit 02='0': The frequency converter releases the motor.

Bit 02='1': The frequency converter starts the motor with a start command.

Bit 03, No error/trip

Bit 03='0' : The frequency converter is not in fault mode.

Bit 03='1': The frequency converter trips. To re-establish operation, press [Reset].

Bit 04, No error/error (no trip)

Bit 04='0': The frequency converter is not in fault mode. Bit 04="1": The frequency converter shows an error but does not trip.

Bit 05, Not used

Bit 05 is not used in the status word.

Bit 06, No error/triplock

Bit 06='0': The frequency converter is not in fault mode. Bit 06="1": The frequency converter is tripped and locked.

Bit 07, No warning/warning

Bit 07='0': There are no warnings.

Bit 07='1': A warning has occurred.

Bit 08, Speed≠ reference/speed=reference

Bit 08='0': The motor is running but the present speed is different from the preset speed reference. It might for example, be the case when the speed ramps up/down during start/stop.

Bit 08='1': The motor speed matches the preset speed reference.

Bit 09, Local operation/bus control

Bit 09='0': [Off/Reset] is activate on the control unit or *Local control* in *F-02 Operation Method* is selected. It is not possible to control the frequency converter via serial communication.

Bit 09='1' It is possible to control the frequency converter via the fieldbus/serial communication.

Bit 10, Out of frequency limit

Bit 10='0': The output frequency has reached the value in *4-12 Motor Speed Low Limit [Hz]* or *4-14 Motor Speed High Limit [Hz]*.

Bit 10='1': The output frequency is within the defined limits.

Bit 11, No operation/in operation

Bit 11='0': The motor is not running.

Bit 11='1': The coasting has a start signal or the output frequency is greater than 0 Hz.

Bit 12, Drive OK/stopped, autostart:

Bit 12='0': There is no temporary over temperature on the inverter.

Bit 12='1': The inverter stops because of over temperature but the unit does not trip and resumes operation once the over temperature stops.

Bit 13, Voltage OK/limit exceeded

Bit 13='0': There are no voltage warnings.

Bit 13='1': The DC voltage in the frequency converter's intermediate circuit is too low or too high.

Bit 14, Torque OK/limit exceeded

Bit 14='0': The motor current is lower than the torque limit selected in *4-18 Current Limit*.

Bit 14='1': The torque limit in *4-18 Current Limit* is exceeded.

Bit 15, Timer OK/limit exceeded

Bit 15='0': The timers for motor thermal protection and thermal protection are not exceeded 100%.

Bit 15='1': One of the timers exceeds 100%.

8.11.3 Bus Speed Reference Value

Speed reference value is transmitted to the frequency converter in a relative value in %. The value is transmitted in the form of a 16-bit word; in integers (0-32767) the value 16384 (4000 Hex) corresponds to 100%. Negative figures are formatted by means of 2's complement. The Actual Output frequency (MAV) is scaled in the same way as the bus reference.

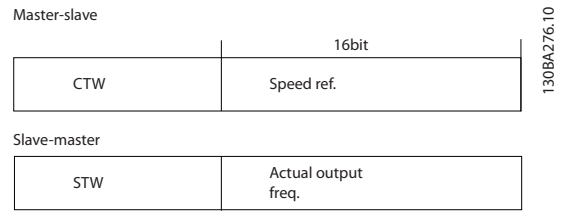


Illustration 8.16

The reference and MAV are scaled as follows:

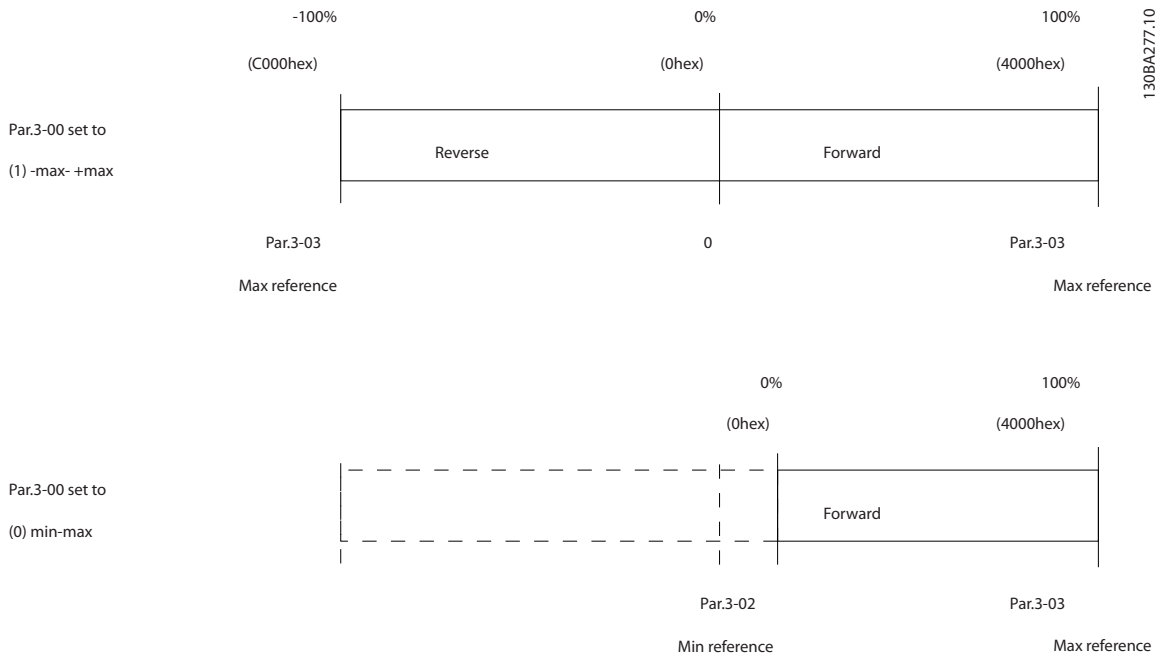


Illustration 8.17

9 Specifications

9.1.1 Mains Supply 1x200-240 V AC

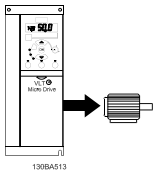
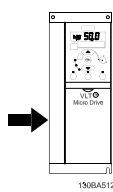
| Normal overload 150% for 1 minute | | | | | | | |
|--|---|-----------------|---------------|---------------|---------------|---------------|--|
| Frequency converter | | PK18 | PK37 | PK75 | P1K5 | P2K2 | |
| Typical Shaft Output [kW] | | 0.18 | 0.37 | 0.75 | 1.5 | 2.2 | |
| Typical Shaft Output [HP] | | 0.25 | 0.5 | 1 | 2 | 3 | |
| IP 20 | | Frame M1 | Frame M1 | Frame M1 | Frame M2 | Frame M3 | |
| Output current | | | | | | | |
|  130BA513 | Continuous (3x200-240 V) [A] | 1.2 | 2.2 | 4.2 | 6.8 | 9.6 | |
| | Intermittent (3x200-240 V) [A] | 1.8 | 3.3 | 6.3 | 10.2 | 14.4 | |
| | Max. cable size: | | | | | | |
| (mains, motor) [mm ² /AWG] | | 4/10 | | | | | |
| Max. input current | | | | | | | |
|  130BA512 | Continuous (1x200-240 V) [A] | 3.3 | 6.1 | 11.6 | 18.7 | 26.4 | |
| | Intermittent (1x200-240 V) [A] | 4.5 | 8.3 | 15.6 | 26.4 | 37.0 | |
| | Max. mains fuses [A] | See 6.6.1 Fuses | | | | | |
| | Environment | | | | | | |
| | Estimated power loss [W], Best case/Typical ¹⁾ | 12.5/ 15.5 | 20.0/ 25.0 | 36.5/ 44.0 | 61.0/ 67.0 | 81.0/ 85.1 | |
| | Weight enclosure IP20 [kg] | 1.1 | 1.1 | 1.1 | 1.6 | 3.0 | |
| Efficiency [%], Best case/Typical ¹⁾ | 95.6/ 94.5 | 96.5/ 95.6 | 96.6/ 96.0 | 97.0/ 96.7 | 96.9/ 97.1 | | |

Table 9.1 Mains Supply 1x200-240 V AC

1. At rated load conditions.

9.1.2 Mains Supply 3x200-240 V AC

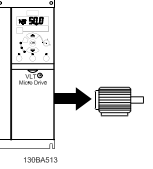
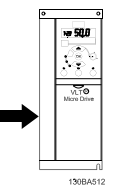
| Normal overload 150% for 1 min | | | | | | | | |
|---|---|-----------------|---------------|---------------|---------------|---------------|-----------------|--|
| Frequency converter | | PK25 | PK37 | PK75 | P1K5 | P2K2 | P3K7 | |
| Typical Shaft Output [kW] | | 0.25 | 0.37 | 0.75 | 1.5 | 2.2 | 3.7 | |
| Typical Shaft Output [HP] | | 0.33 | 0.5 | 1 | 2 | 3 | 5 | |
| IP 20 | | Frame M1 | Frame M1 | Frame M1 | Frame M2 | Frame M3 | Frame M3 | |
| Output current | | | | | | | | |
|  130BA513 | Continuous (3x200-240 V) [A] | 1.5 | 2.2 | 4.2 | 6.8 | 9.6 | 15.2 | |
| | Intermittent (3x200-240 V) [A] | 2.3 | 3.3 | 6.3 | 10.2 | 14.4 | 22.8 | |
| | Max. cable size: | | | | | | | |
| (mains, motor) [mm ² /AWG] | | 4/10 | | | | | | |
| Max. input current | | | | | | | | |
|  130BA512 | Continuous (3x200-240 V) [A] | 2.4 | 3.5 | 6.7 | 10.9 | 15.4 | 24.3 | |
| | Intermittent (3x200-240 V) [A] | 3.2 | 4.6 | 8.3 | 14.4 | 23.4 | 35.3 | |
| | Max.mains fuses [A] | See 6.6.1 Fuses | | | | | | |
| | Environment | | | | | | | |
| | Estimated power loss [W], Best case/Typical ¹⁾ | 14.0/ 20.0 | 19.0/ 24.0 | 31.5/ 39.5 | 51.0/ 57.0 | 72.0/ 77.1 | 115.0/ 122.8 | |
| | Weight enclosure IP20 [kg] | 1.1 | 1.1 | 1.1 | 1.6 | 3.0 | 3.0 | |
| Efficiency [%], Best case/Typical ¹⁾ | 96.4/ 94.9 | 96.7/ 95.8 | 97.1/ 96.3 | 97.4/ 97.2 | 97.2/ 97.4 | 97.3/ 97.4 | | |

Table 9.2 Mains Supply 3x200-240 V AC

¹⁾ At rated load conditions.

9.1.3 Mains Supply 3x380-480 V AC

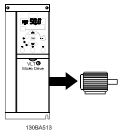
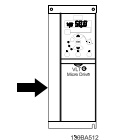
| Normal overload 150% for 1 min | | | | | | | | |
|---|---|---------------|---------------|---------------|---------------|----------------|----------------|--|
| Frequency converter | | PK37 | PK75 | P1K5 | P2K2 | P3K0 | P4K0 | |
| Typical Shaft Output [kW] | | 0.37 | 0.75 | 1.5 | 2.2 | 3.0 | 4.0 | |
| Typical Shaft Output [HP] | | 0.5 | 1 | 2 | 3 | 4 | 5 | |
| IP 20 | | Frame M1 | Frame M1 | Frame M2 | Frame M2 | Frame M3 | Frame M3 | |
| Output current | | | | | | | | |
|  | Continuous (3x380-440 V) [A] | 1.2 | 2.2 | 3.7 | 5.3 | 7.2 | 9.0 | |
| | Intermittent (3x380-440 V) [A] | 1.8 | 3.3 | 5.6 | 8.0 | 10.8 | 13.7 | |
| | Continuous (3x440-480 V) [A] | 1.1 | 2.1 | 3.4 | 4.8 | 6.3 | 8.2 | |
| | Intermittent (3x440-480 V) [A] | 1.7 | 3.2 | 5.1 | 7.2 | 9.5 | 12.3 | |
| | Max. cable size: (mains, motor) [mm ² / AWG] | 4/10 | | | | | | |
| Max. input current | | | | | | | | |
|  | Continuous (3x380-440 V) [A] | 1.9 | 3.5 | 5.9 | 8.5 | 11.5 | 14.4 | |
| | Intermittent (3x380-440 V) [A] | 2.6 | 4.7 | 8.7 | 12.6 | 16.8 | 20.2 | |
| | Continuous (3x440-480 V) [A] | 1.7 | 3.0 | 5.1 | 7.3 | 9.9 | 12.4 | |
| | Intermittent (3x440-480 V) [A] | 2.3 | 4.0 | 7.5 | 10.8 | 14.4 | 17.5 | |
| | Max. mains fuses [A] | See 6.6 Fuses | | | | | | |
| | Environment | | | | | | | |
| | Estimated power loss [W], Best case/ Typical ¹⁾ | 18.5/ 25.5 | 28.5/ 43.5 | 41.5/ 56.5 | 57.5/ 81.5 | 75.0/ 101.6 | 98.5/ 133.5 | |
| Weight enclosure IP20 [kg] | 1.1 | 1.1 | 1.6 | 1.6 | 3.0 | 3.0 | | |
| Efficiency [%], Best case/Typical ¹⁾ | 96.8/ 95.5 | 97.4/ 96.0 | 98.0/ 97.2 | 97.9/ 97.1 | 98.0/ 97.2 | 98.0/ 97.3 | | |

Table 9.3 Mains Supply 3x380-480 V AC

¹⁾ At rated load conditions.

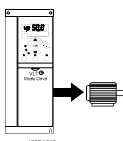
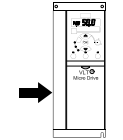
| Normal overload 150% or 1 min | | | | | | | | |
|---|---|-----------------|-----------------|-----------------|-----------------|-----------------|-----------------|--|
| Frequency converter | | P5K5 | P7K5 | P11K | P15K | P18K | P22K | |
| Typical Shaft Output [kW] | | 5.5 | 7.5 | 11 | 15 | 18.5 | 22 | |
| Typical Shaft Output [HP] | | 7.5 | 10 | 15 | 20 | 25 | 30 | |
| IP 20 | | Frame M3 | Frame M3 | Frame M4 | Frame M4 | Frame M5 | Frame M5 | |
| Output current | | | | | | | | |
|  | Continuous (3x380-440 V) [A] | 12.0 | 15.5 | 23.0 | 31.0 | 37.0 | 42.0 | |
| | Intermittent (3x380-440 V) [A] | 18.0 | 23.5 | 34.5 | 46.5 | 55.5 | 63.0 | |
| | Continuous (3x440-480 V) [A] | 11.0 | 14.0 | 21.0 | 27.0 | 34.0 | 40.0 | |
| | Intermittent (3x440-480 V) [A] | 16.5 | 21.3 | 31.5 | 40.5 | 51.0 | 60.0 | |
| | Max. cable size: (mains, motor) [mm ² /AWG] | 4/10 | | 16/6 | | | | |
| Max. input current | | | | | | | | |
|  | Continuous (3x380-440 V) [A] | 19.2 | 24.8 | 33.0 | 42.0 | 34.7 | 41.2 | |
| | Intermittent (3x380-440 V) [A] | 27.4 | 36.3 | 47.5 | 60.0 | 49.0 | 57.6 | |
| | Continuous (3x440-480 V) [A] | 16.6 | 21.4 | 29.0 | 36.0 | 31.5 | 37.5 | |
| | Intermittent (3x440-480 V) [A] | 23.6 | 30.1 | 41.0 | 52.0 | 44.0 | 53.0 | |
| | Max. mains fuses [A] | See 6.6 Fuses | | | | | | |
| | Environment | | | | | | | |
| | Estimated power loss [W], Best case/ Typical ¹⁾ | 131.0/ 166.8 | 175.0/ 217.5 | 290.0/ 342.0 | 387.0/ 454.0 | 395.0/ 428.0 | 467.0/ 520.0 | |
| Weight enclosure IP20 [kg] | 3.0 | 3.0 | | | | | | |
| Efficiency [%], Best case/Typical ¹⁾ | 98.0/ 97.5 | 98.0/ 97.5 | 97.8/ 97.4 | 97.7/ 97.4 | 98.1/ 98.0 | 98.1/ 97.9 | | |

Table 9.4 Mains Supply 3x380-480 V AC

¹⁾ At rated load conditions.

Protection and features

- Electronic thermal motor protection motor protection against overload.
- Temperature monitoring of the heatsink ensures that the frequency converter trips in case of overtemperature.
- The frequency converter is protected against short-circuits between motor terminals U, V, W.
- If a motor phase is missing, the frequency converter trips and issues an alarm.
- If a mains phase is missing, the frequency converter trips or issues a warning (depending on the load).
- Monitoring of the intermediate circuit voltage ensures that the frequency converter trips if the intermediate circuit voltage is too low or too high.
- The frequency converter is protected against earth faults on motor terminals U, V, W.

Mains supply (L1/L, L2, L3/N)

| | |
|--|---|
| Supply voltage | 200-240 V ±10% |
| Supply voltage | 380-480 V ±10% |
| Supply frequency | 50/60 Hz |
| Max. imbalance temporary between mains phases | 3.0% of rated supply voltage |
| True Power Factor | ≥0.4 nominal at rated load |
| Displacement Power Factor (cosφ) near unity | (>0.98) |
| Switching on input supply L1/L, L2, L3/N (power-ups) | maximum 2 times/min. |
| Environment according to EN60664-1 | overvoltage category III/pollution degree 2 |

The unit is suitable for use on a circuit capable of delivering not more than 100.000 RMS symmetrical Amperes, 240/480 V maximum.

Motor output (U, V, W)

| | |
|---|---|
| Output voltage | 0-100% of supply voltage |
| Output frequency | 0-200 Hz (VVC ^{plus}), 0-400 Hz (u/f) |
| Switching on output | Unlimited |
| Ramp times | 0.05-3600 s |
| Cable lengths and cross sections | |
| Max. motor cable length, screened/armoured (EMC correct installation) | 15 m |
| Max. motor cable length, unscreened/unarmoured | 50 m |
| Max. cross section to motor, mains* | |
| Connection to load sharing/brake (M1, M2, M3) | 6.3 mm insulated Faston Plugs |
| Max. cross section to load sharing/brake (M4, M5) | 16 mm ² /6 AWG |
| Maximum cross section to control terminals, rigid wire | 1.5 mm ² /16 AWG (2x0.75 mm ²) |
| Maximum cross section to control terminals, flexible cable | 1 mm ² /18 AWG |
| Maximum cross section to control terminals, cable with enclosed core | 0.5 mm ² /20 AWG |
| Minimum cross section to control terminals | 0.25 mm ² |

** See 9 Specifications for more information!*

Digital inputs (pulse/encoder inputs)

| | |
|---|---------------------|
| Programmable digital inputs (pulse/encoder) | 5 (1) |
| Terminal number | 18, 19, 27, 29, 33, |
| Logic | PNP or NPN |
| Voltage level | 0-24 V DC |
| Voltage level, logic '0' PNP | <5 V DC |
| Voltage level, logic '1' PNP | >10 V DC |
| Voltage level, logic '0' NPN | >19 V DC |
| Voltage level, logic '1' NPN | <14 V DC |
| Maximum voltage on input | 28 V DC |
| Input resistance, R _i | approx. 4 kΩ |
| Max. pulse frequency at terminal 33 | 5000 Hz |
| Min. pulse frequency at terminal 33 | 20 Hz |

Analog Inputs

| | |
|-----------------------------------|--------------------------|
| Number of analog inputs | 2 |
| Terminal number | 53, 60 |
| Voltage mode (Terminal 53) | Switch S200=OFF(U) |
| Current mode (Terminal 53 and 60) | Switch S200=ON(I) |
| Voltage level | 0-10 V |
| Input resistance, R_i | approx. 10 k Ω |
| Max. voltage | 20 V |
| Current level | 0/4 to 20 mA (scaleable) |
| Input resistance, R_i | approx. 200 Ω |
| Max. current | 30 mA |

Analog output

| | |
|---------------------------------------|--------------------------------|
| Number of programmable analog outputs | 1 |
| Terminal number | 42 |
| Current range at analog output | 0/4-20 mA |
| Max. load to common at analog output | 500 Ω |
| Max. voltage at analog output | 17 V |
| Accuracy on analog output | Max. error: 0.8% of full scale |
| Scan interval | 4 ms |
| Resolution on analog output | 8 bit |
| Scan interval | 4 ms |

Control card, RS-485 serial communication

| | |
|--------------------|----------------------------------|
| Terminal number | 68 (P,TX+, RX+), 69 (N,TX-, RX-) |
| Terminal number 61 | Common for terminals 68 and 69 |

Control card, 24 V DC output

| | |
|--|---|
| Terminal number | 12 |
| Max. load (M1 and M2) | 100 mA |
| Max. load (M3) | 50 mA |
| Max. load (M4 and M5) | 80 mA |
| Relay output | |
| Programmable relay output | 1 |
| Relay 01 Terminal number | 01-03 (break), 01-02 (make) |
| Max. terminal load (AC-1) ¹⁾ on 01-02 (NO) (Resistive load) | 250 V AC, 2 A |
| Max. terminal load (AC-15) ¹⁾ on 01-02 (NO) (Inductive load @ $\cos\phi$ 0.4) | 250 V AC, 0.2 A |
| Max. terminal load (DC-1) ¹⁾ on 01-02 (NO) (Resistive load) | 30 V DC, 2 A |
| Max. terminal load (DC-13) ¹⁾ on 01-02 (NO) (Inductive load) | 24 V DC, 0.1 A |
| Max. terminal load (AC-1) ¹⁾ on 01-03 (NC) (Resistive load) | 250 V AC, 2 A |
| Max. terminal load (AC-15) ¹⁾ on 01-03 (NC) (Inductive load @ $\cos\phi$ 0.4) | 250 V AC, 0.2 A |
| Max. terminal load (DC-1) ¹⁾ on 01-03 (NC) (Resistive load) | 30 V DC, 2 A |
| Min. terminal load on 01-03 (NC), 01-02 (NO) | 24 V DC 10 mA, 24 V AC 20 mA |
| Environment according to EN 60664-1 | overvoltage category III/pollution degree 2 |

¹⁾ IEC 60947 part 4 and 5

Control card, 10 V DC output

| | |
|-----------------|--------------------|
| Terminal number | 50 |
| Output voltage | 10.5 V \pm 0.5 V |
| Max. load | 25 mA |

NOTE

All inputs, outputs, circuits, DC supplies and relay contacts are galvanically isolated from the supply voltage (PELV) and other high-voltage terminals.

Surroundings

| | |
|---|---|
| Enclosure | IP20 |
| Enclosure kit available | IP21, TYPE 1 |
| Vibration test | 1.0 g |
| Max. relative humidity | 5%-95 % (IEC 60721-3-3; Class 3K3 (non-condensing) during operation |
| Aggressive environment (IEC 60721-3-3), coated | class 3C3 |
| Test method according to IEC 60068-2-43 H2S (10 days) | |
| Ambient temperature | Max. 40 °C |

Derating for high ambient temperature, see 4.2.2 Derating for Ambient Temperature

| | |
|---|------------------|
| Minimum ambient temperature during full-scale operation | 0 °C |
| Minimum ambient temperature at reduced performance | - 10 °C |
| Temperature during storage/transport | -25 to +65/70 °C |
| Maximum altitude above sea level without derating | 1000 m |
| Maximum altitude above sea level with derating | 3000 m |

Derating for high altitude, see 4.2 Special Conditions

| | |
|-------------------------|--|
| Safety standards | EN/IEC 61800-5-1, UL 508C |
| EMC standards, Emission | EN 61800-3, EN 61000-6-3/4, EN 55011, IEC 61800-3 EN 61800-3, EN 61000-6-1/2, EN 61000-4-2, EN 61000-4-3, |
| EMC standards, Immunity | EN 61000-4-4, EN 61000-4-5, EN 61000-4-6 |

See 4.2 Special Conditions

Index

A

Abbreviations..... 6

Active Set-up..... 63

Advanced Vector Control..... 8

Aggressive Environments..... 12

Air Humidity..... 12

Aluminium Conductors..... 52

Ambient Temperature..... 93

Analog Inputs..... 7, 8, 92

Automatic

Adaptations To Ensure Performance..... 42

Motor Tuning (AMT)..... 59, 65

B

Better Control..... 15

Break-away Torque..... 7

Building Management System, BMS..... 14

Bus Termination..... 58

C

Cable

Clamp..... 55

Length And Cross-section..... 52

Lengths And Cross Sections..... 91

CE Conformity And Labeling..... 11

Clearance..... 47

Coasting..... 86, 7, 85

Comparison Of Energy Savings..... 14

Control

Cables..... 57

Card, 24 V DC Output..... 92

Structure Closed Loop..... 18

Structure Open Loop..... 18

Terminals..... 58

Word..... 84

Controlling Fans And Pumps..... 13

D

DANGEROUS VOLTAGE..... 10

Data Types Supported By The Frequency Converter..... 75

DC Brake..... 85

De-Coupling..... 30

Definitions..... 7

Derating For Low Air Pressure..... 42

Digital

Inputs..... 91

Inputs (pulse/encoder Inputs)..... 91

Display..... 63

Disposal Instruction..... 11

Drive Configurator..... 43

E

Earth Leakage Current..... 62, 24

Earthing

Earthing..... 55

Of Screened/Armoured Control Cables..... 55

Edit Set-up..... 63

Electrical Installation..... 52, 57

EMC

Directive 89/336/EEC..... 12

Precautions..... 71

Test Results (Emission)..... 22

EMC-Correct Electrical Installation..... 52

Emission Requirements..... 21

Energy Savings..... 15, 13

Equalising Cable..... 55

Example Of Energy Savings..... 14

Extreme Running Conditions..... 24

F

FC

Profile..... 84

With Modbus RTU..... 72

Final Set-Up And Test..... 58

Freeze Output..... 7

Frequency

Converter Hardware Set-up..... 70

Converter Set-up..... 72

Converter With Modbus RTU..... 77

Function Codes Supported By Modbus RTU..... 80

G

Galvanic Isolation..... 23

General Aspects Of EMC Emissions..... 21

H

Harmonics Emission Requirements..... 23

High Voltage Test..... 62

Hold Output Frequency..... 85

How

To Connect A PC To The Frequency Converter..... 61

To Control The Frequency Converter..... 80

To Order..... 43

I

Immunity Requirements..... 23

Index (IND)..... 74

Indicator Lights..... 64

Initialise The Frequency Converter..... 69

Installation At High Altitudes..... 10

Intermediate Circuit..... 24

IP21/TYPE 1 Enclosure Kit..... 30

J

Jog..... 7, 85

L

Laws Of Proportionality..... 14

LCP

LCP..... 8, 18, 26

11..... 63

12..... 63

Copy..... 68

Leakage Current..... 24

Legal Information..... 5

Load Drive Settings..... 61

Local (Hand On) And Remote (Auto On) Control..... 18

M

Main Menu..... 26, 64, 68

Mains

Drop-out..... 24

Supply..... 9, 89

Supply (L1/L, L2, L3/N)..... 91

Supply 1x200-240 V AC..... 89

Supply 3x200-240 V AC..... 89

Supply 3x380-480 V AC..... 90

Maximum Reference..... 66

MCT 10 Set-up Software..... 2

Minimum Reference..... 65, 66

Modbus

Communication..... 71

Exception Codes..... 80

RTU Overview..... 76

Moment Of Inertia..... 24

Motor

Cables..... 51

Connection..... 51

Current..... 65

Direction..... 64

Frequency..... 65

Name Plate..... 58

Name Plate Data..... 58

Nominal Speed..... 65

Output (U, V, W)..... 91

Phases..... 24

Power..... 65

Protection..... 60, 91

Thermal Protection..... 87, 24

Voltage..... 65

Motor-generated Over-voltage..... 24

N

Name Plate Data..... 58

Navigation Keys..... 26, 64

Network

Configuration..... 77

Connection..... 70

O

Operation Keys..... 26, 64

Options And Accessories..... 26

Output Performance (U, V, W)..... 91

Overcurrent Protection..... 50

P

Parallel Connection Of Motors..... 60

Parameter

Number..... 63

Number (PNU)..... 74

Values..... 81

Pay Back Period..... 15

PC Software Tools..... 61

PELV - Protective Extra Low Voltage..... 23

PLC..... 55

Power

Circuit - Overview..... 56

Factor..... 9

Protection

Protection..... 12, 23, 24, 50

And Features..... 91

Protocol Overview..... 71

Public Supply Network..... 23

Q

Quick

Menu..... 26, 64

Menu Parameters..... 65

Transfer Of Parameter Settings Between Multiple Frequency Converters..... 68

R

Ramp1

Ramp-down Time..... 66

Ramp-up Time..... 66

Rated Motor Speed..... 7

RCD..... 8, 24

Read Holding Registers (03 HEX)..... 83

Read-out And Programming Of Indexed Parameters..... 68

Readout Mode..... 64

Recommended Initialisation..... 69

| | | |
|--|--------|--|
| Reference | | |
| Reference..... | 11 | |
| Handling..... | 20 | |
| Relay Output | 92 | |
| Residual Current Device | 24, 55 | |
| RS-485 | | |
| RS-485..... | 70 | |
| Bus Connection..... | 61 | |
| Installation And Set-up..... | 70 | |
| | | |
| S | | |
| S200 Switches 1-4 | 58 | |
| Safety | | |
| Earth Connection..... | 62 | |
| Note..... | 10 | |
| Regulations..... | 10 | |
| Save Drive Settings | 61 | |
| Screened/armoured | 57 | |
| Screening Of Cables | 52 | |
| Serial | | |
| Communication..... | 55, 64 | |
| Communication Port..... | 7 | |
| Set Speed Limit And Ramp Time | 59 | |
| Set-up Number | 63 | |
| Short Circuit (Motor Phase – Phase) | 24 | |
| Soft-starter | 15 | |
| Software Version | 5 | |
| Star/Delta Starter | 15 | |
| Status | | |
| Status..... | 26 | |
| Menu..... | 64 | |
| Word..... | 86 | |
| Successful AMT | 59 | |
| Surroundings | 93 | |
| Switches | 58 | |
| Switching | | |
| Frequency..... | 52 | |
| On The Output..... | 24 | |
| Symbols | 6 | |
| | | |
| T | | |
| Telegram Length (LGE) | 72 | |
| The | | |
| EMC Directive (89/336/EEC)..... | 11 | |
| Low-voltage Directive (73/23/EEC)..... | 11 | |
| Machinery Directive (98/37/EEC)..... | 11 | |
| Thermistor | 8 | |
| Two Finger Initialization | 69 | |
| Type | | |
| 1 (NEMA)..... | 30 | |
| Code String..... | 43 | |
| | | |
| U | | |
| UL Compliance | 50 | |
| UNINTENDED START | 10 | |
| Unit | 63 | |
| Unsuccessful AMT | 59 | |
| Use Of EMC-Correct Cables | 54 | |
| Using A Frequency Converter Saves Money | 16 | |
| | | |
| V | | |
| Value | 63 | |
| Variable Control Of Flow And Pressure | 15 | |
| Varying Flow Over 1 Year | 15 | |
| Vibration And Shock | 13 | |
| Voltage Level | 91 | |
| WC | 9 | |
| | | |
| W | | |
| What Is Covered | 11 | |



www.danfoss.com/drives

Danfoss can accept no responsibility for possible errors in catalogues, brochures and other printed material. Danfoss reserves the right to alter its products without notice. This also applies to products already on order provided that such alterations can be made without subsequential changes being necessary in specifications already agreed. All trademarks in this material are property of the respective companies. Danfoss and the Danfoss logotype are trademarks of Danfoss A/S. All rights reserved.



