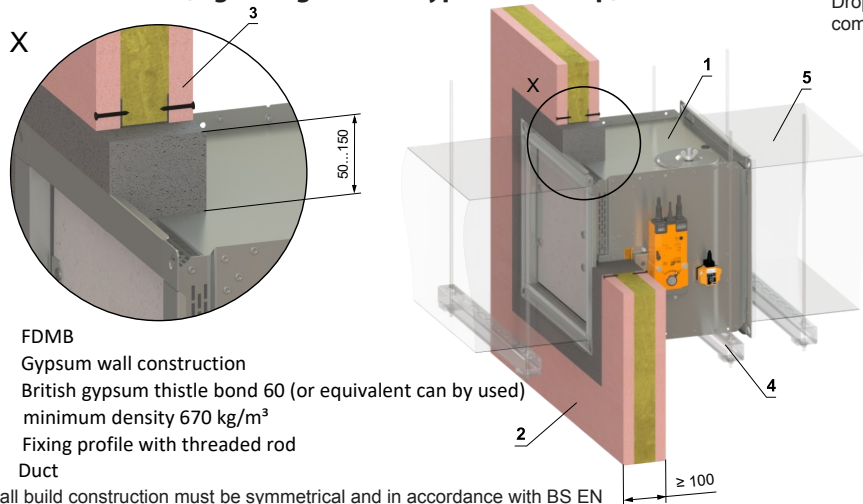


FDMB EI 120 S (Lightweight wall - Gypsum fire stop)



- 1 FDMB
- 2 Gypsum wall construction
- 3 British gypsum thistle bond 60 (or equivalent can by used) minimum density 670 kg/m³
- 4 Fixing profile with threaded rod
- 5 Duct

Wall build construction must be symmetrical and in accordance with BS EN 1363-1 and tested in accordance with BS EN 1364-1.

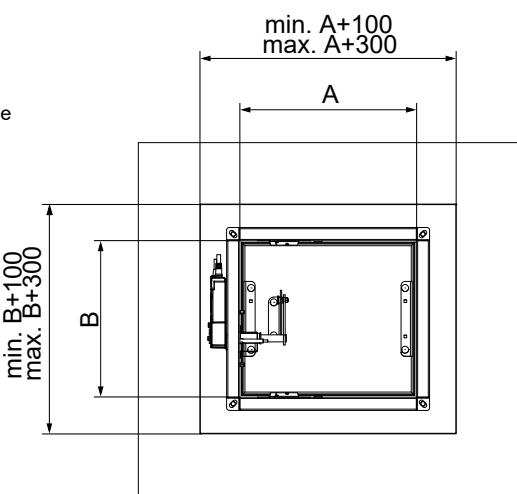
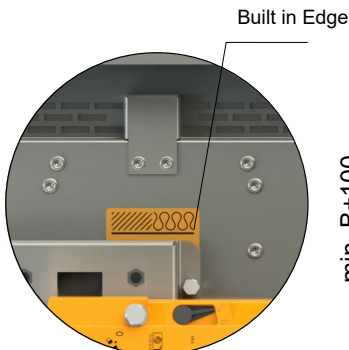
FDMB can be installed with blade axis positioned either vertically or horizontally and with the actuator positioned at 0°, 90° or 270°, but not at 180°

Blade overlaps must be accounted for to ensure blade operation is not compromised. For full blade overlap dimensions please see product TPM.

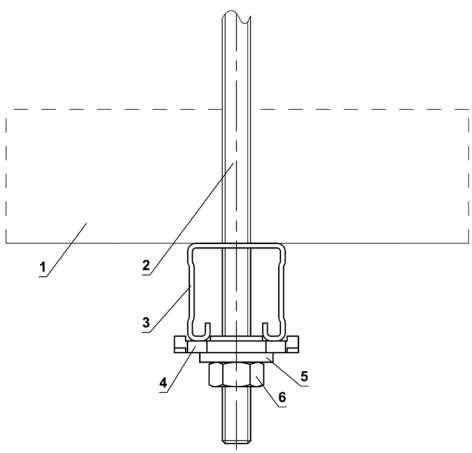
Damper must be installed to built in edge shown by orange label on the damper



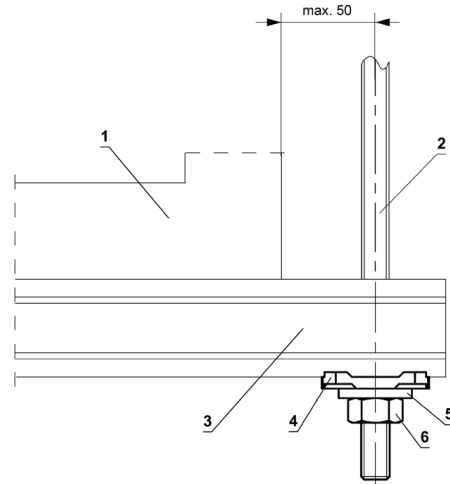
FFDM Breakaway Joint should be used either side of the damper. See Product TPM for full duct connection details.



Drop rod and hanger location, please ensure that actuator operation is not compromised and ensure sufficient space to allow access hatch removal.

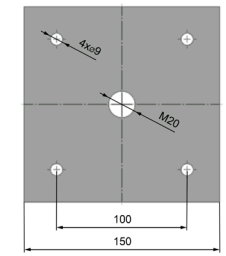
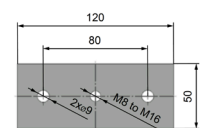
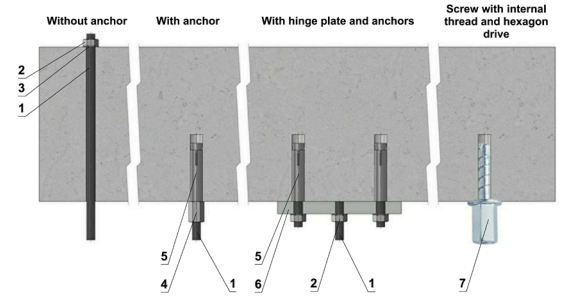


Drop rod and hanger position is not critical and can be positioned to suit the particular installation, applying symmetry where possible.



- Position:
- 1 FDMB
 - 2 Threaded rod M8 - M20
 - 3 Support HILTI (MQ-41 = <100kg) or (MQ-41/3 = >100kg)
 - 4 Bored plate HILTI MQZ-L
 - 5 Washer for M8 - M20
 - 6 Nut M8 - M20

Advice provided by a fixing specialist contractor takes precedence.



Screw with internal thread and hexagon drive



Load capacities of threaded hanger rods F [N] at the required fire resistance 90 minutes

Size	As [mm]	Weight G [kg]	
		for 1 piece	for 1 pair
M8	36.6	22	44
M10	58	35	70
M12	84.3	52	104
M14	115	70	140
M16	157	96	192
M18	192	117	234
M20	245	150	300

Position:

- 1 Threaded rod M8 - M20
- 2 Nut
- 3 Washer
- 4 Coupling nut
- 5 Anchor
- 6 Hinge plate - min. thickness 10mm
- 7 Concrete screw tested for fire resistance R30-R90, max. tension up to 0.75KN (length 35mm)

Drop rod diameter is based on damper weight, see full Damper TPM for further technical details or contact help@Mandik.co.uk. Mandik reserves the right to update this information without prior notice.

		Mandik UK Ltd		130 Aztec West Park Avenue Bristol BS32 4UB	
		www.mandik.co.uk		Office: 0117 4526376	
Title:		FDMB - Lightweight wall/ Gypsum		CE certified acc. to EN 15650	
Classification:		EI 120 (ve i<->o) S		Tested in accordance with EN 1366-2	
Drawing No:		0000-0000-120 Rev 3		Date: 04/07/2023	
		Illustrated: AA		Approved: MF	
Intellectual property of MANDIK Ltd. Unauthorised use shall be punishable by law					